

PLEASE CHECK WWW.MOLEX.COM FOR LATEST PART INFORMATION

Part Number: [5022501791](#)
Status: **Active**
Overview: FFC-FPC (SMT)
Description: 0.30mm Pitch Easy-On™ BackFlip™ Type FPC Connector, Right Angle, Surface Mount, Dual Contact Style, 0.90mm Mated Height, 17 Circuits

Documents:

[3D Model](#) [Packaging Specification SPK-502250-001 \(PDF\)](#)
[Drawing \(PDF\)](#) [RoHS Certificate of Compliance \(PDF\)](#)
[Product Specification PS-502250-001 \(PDF\)](#)

General

Product Family FFC/FPC Connectors
 Series [502250](#)
 Overview FFC-FPC (SMT)
 Product Name Easy-On™
 UPC 883906423360

Physical

Circuits (Loaded) 17
 Color - Resin Black, Natural
 Contact Position Dual
 Durability (mating cycles max) 10
 Entry Angle 90° Angle
 Mated Height 0.90mm
 Material - Metal Copper-Nickel-Tin
 Material - Plating Mating Gold
 Material - Plating Termination Gold
 Net Weight 42.334/mg
 Number of Rows 1
 Orientation Right Angle
 PCB Locator No
 PCB Retention Yes
 Packaging Type Embossed Tape on Reel
 Pitch - Mating Interface 0.30mm
 Polarized to PCB Yes
 Stackable No
 Temperature Range - Operating -40°C to +105°C
 Termination Interface: Style Surface Mount
 Wire/Cable Type FPC only

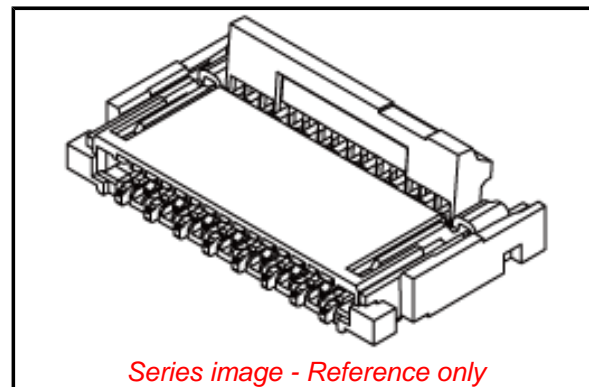
Electrical

Current - Maximum per Contact 0.2A
 Voltage - Maximum 50V AC (RMS)/DC

Material Info

Reference - Drawing Numbers

Packaging Specification SPK-502250-001
 Product Specification PS-502250-001, RPS-502250-001, RPS-502250-002, RPS-502250-003, RPS-502250-007, RPS-502250-013
 Sales Drawing SD-502250-003, SD-502250-004



Series image - Reference only

EU ELV

Not Relevant

EU RoHS

Compliant

China RoHS

REACH SVHC

Not Contained Per
 -ED/79/2015 (17
 December 2015)

Halogen-Free

Status

Not Low-Halogen

Need more information on product environmental compliance?

Email productcompliance@molex.com
 Please visit the [Contact Us](#) section for any non-product compliance questions.

China ROHS

ELV

Green Image

Not Relevant

Search Parts in this Series

[502250 Series](#)