

**PLEASE CHECK WWW.MOLEX.COM FOR LATEST PART INFORMATION**

**Part Number:** [0545481471](#)  
**Status:** **Active**  
**Overview:** [FFC-FPC \(SMT\)](#)  
**Description:** 0.50mm Pitch Easy-On™ Type FFC/FPC Connector, 1.20mm Height, Right Angle, Surface Mount, ZIF, Bottom Contact Style, 14 Circuits, Gold Contact Plating

**Documents:**

[3D Model](#) [Packaging Specification SPK-54548-001 \(PDF\)](#)  
[Drawing \(PDF\)](#) [RoHS Certificate of Compliance \(PDF\)](#)  
[Product Specification PS-54548-039 \(PDF\)](#)

**Agency Certification**

UL E29179

**General**

Product Family [FFC/FPC Connectors](#)  
Series [54548](#)  
Overview [FFC-FPC \(SMT\)](#)  
Product Name [Easy-On™](#)  
UPC 822348763696

**Physical**

Circuits (Loaded) 14  
Contact Position Bottom  
Durability (mating cycles max) 20  
Entry Angle 90° Angle  
Mated Height 1.20mm  
Material - Metal Phosphor Bronze  
Material - Plating Mating Gold  
Material - Plating Termination Tin  
Net Weight 79.320/mg  
Number of Rows 1  
Orientation Right Angle  
PCB Locator No  
PCB Retention Yes  
Packaging Type Embossed Tape on Reel  
Pitch - Mating Interface 0.50mm  
Polarized to PCB Yes  
Stackable No  
Temperature Range - Operating -20°C to +85°C  
Termination Interface: Style Surface Mount  
Wire/Cable Type FFC/FPC

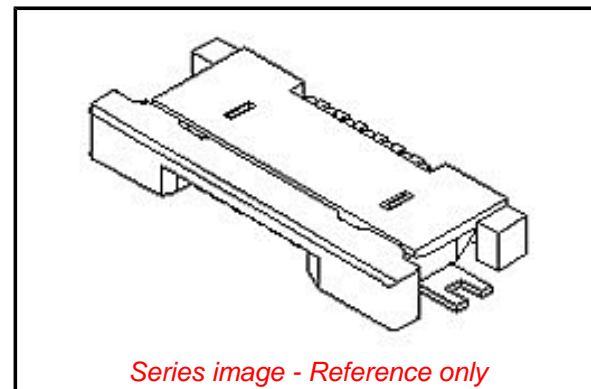
**Electrical**

Current - Maximum per Contact 0.5A  
Voltage - Maximum 50V

**Material Info**

**Reference - Drawing Numbers**

Packaging Specification [SPK-54548-001](#)  
Product Specification [PS-54548-039](#), [RPS-54548-083](#), [RPS-54548-085](#),  
[RPS-54548-091](#), [RPS-54548-097](#), [RPS-54548-099](#)  
Sales Drawing [SD-54548-039](#), [SD-54548-040](#)



**EU ELV**

**Not Relevant**

**EU RoHS**

**Compliant**

**REACH SVHC**

Not Contained Per  
-ED/79/2015 (17  
December 2015)

**Halogen-Free**

**Status**

**Not Low-Halogen**

**Need more information on product environmental compliance?**

Email [productcompliance@molex.com](mailto:productcompliance@molex.com)  
Please visit the [Contact Us](#) section for any non-product compliance questions.

China ROHS

ELV

Green Image

Not Relevant

**Search Parts in this Series**

[54548](#) Series

**Mates With**

<a href="http://www.molex.com/product/premoflex\_ffc-fpc.html">Molex Premo-Flex FFC</a>. Be sure to match like plating

**PLEASE CHECK [WWW.MOLEX.COM](http://WWW.MOLEX.COM) FOR LATEST PART INFORMATION**