

**PLEASE CHECK WWW.MOLEX.COM FOR LATEST PART INFORMATION**

**Part Number:** [5016461000](#)  
**Status:** **Active**  
**Overview:** iGrid™ Wire-to-Board Dual-Row System  
**Description:** 2.00mm Pitch iGrid™ Wire-to-Board Housing, Dual Row, Positive Lock, 10 Circuits

**Documents:**

[3D Model](#) [Product Specification PS-501646-001 \(PDF\)](#)  
[Drawing \(PDF\)](#) [RoHS Certificate of Compliance \(PDF\)](#)

**Agency Certification**

UL E29179

**General**

Product Family Crimp Housings  
 Series [501646](#)  
 Application Signal, Wire-to-Board  
 MolexKits Yes  
 Overview [iGrid™ Wire-to-Board Dual-Row System](#)  
 Product Name iGrid™  
 UPC 822350087131

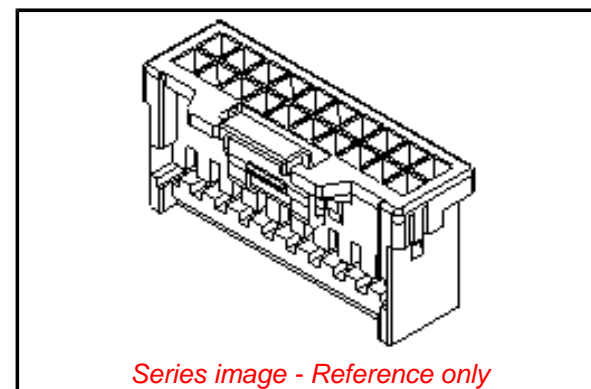
**Physical**

Circuits (maximum) 10  
 Color - Resin Natural  
 Flammability 94V-0  
 Gender Female  
 Glow-Wire Compliant No  
 Lock to Mating Part Yes  
 Material - Resin Nylon  
 Net Weight 360.000/mg  
 Number of Rows 2  
 Packaging Type Bag  
 Panel Mount No  
 Pitch - Mating Interface 2.00mm  
 Polarized to Mating Part Yes  
 Stackable No  
 Temperature Range - Operating -40°C to +105°C

**Material Info**

**Reference - Drawing Numbers**

Product Specification PS-501646-001, RPS-501646-001, RPS-501646-002, RPS-501646-003, RPS-501646-004, RPS-501646-005, RPS-501646-006, RPS-501646-007, RPS-501646-008, RPS-501646-016, RPS-501646-018, RPS-501646-019, RPS-503091-001  
 Sales Drawing SD-501646-001



*Series image - Reference only*

**EU ELV**

**Not Relevant**

**EU RoHS**

**Compliant**

**China RoHS**

**REACH SVHC**

Not Contained Per  
 -ED/79/2015 (17  
 December 2015)

**Halogen-Free**

**Status**

**Low-Halogen**

**Need more information on product environmental compliance?**

Email [productcompliance@molex.com](mailto:productcompliance@molex.com)  
 Please visit the [Contact Us](#) section for any non-product compliance questions.

China ROHS

Green Image

ELV

Not Relevant

**Search Parts in this Series**

[501646](#) Series

**Mates With**

[501645](#) Vertical Header . [501876](#) Right Angle Header

**Use With**

[501647](#) 22-26 AWG Terminal . [501648](#) 26-28 AWG Terminal