

PLEASE CHECK WWW.MOLEX.COM FOR LATEST PART INFORMATION

Part Number: [0643183011](#)
Status: **Active**
Overview: CMC and CMX Sealed, Hybrid, Modular Connectors
Description: .635mm, 1.50mm, 2.80mm, Power CMC Connector, 28 Circuits, Right Wire Output, Black Coding, Mat Sealed

Documents:

3D Model	Application Specification AS-98420-001 (PDF)
Drawing (PDF)	Application Specification AS-98420-001-CH (PDF)
Product Specification PS-64321-001 (PDF)	Application Specification AS-98420-001-FR (PDF)
Application Specification AS-64318-002 (PDF)	Application Specification AS-98420-001-SP (PDF)
Application Specification AS-64318-002-CH (PDF)	Packaging Specification PK-98994-001 (PDF)
Application Specification AS-64318-002-FR (PDF)	RoHS Certificate of Compliance (PDF)
Application Specification AS-64318-002-SP (PDF)	

General

Product Family	Crimp Housings
Series	64318
Application	Power, Wire-to-Board
Application Tooling Part Link	63812-1100
Application Tooling Part Link	63824-1200
Comments	* Current tested on a fully loaded connector, current for temperature increase of 40°C. Current max = 21.0A for 2.80mm Terminal (5.00mm ² wire), 12.0A for 1.50mm Terminal (2.00mm ² wire), 2.5A for 0.635mm Terminal(0.75mm ² wire) *
More Detailed Tech Information	Sealed, high-density, power, modular connecting system for Power Train and Body Electronics applications in cars, trucks, busses
Overview	CMC and CMX Sealed, Hybrid, Modular Connectors
Product Name	CMC
UPC	883906135133

Physical

Circuits (maximum)	28
Circuits Detail	5x 2.8mm, 5 x 1.5mm, 18 x 0.635mm terminals
Color - Resin	Black
Gender	Female
Glow-Wire Compliant	No
Keying to Mating Part	Yes
Lock to Mating Part	Yes
Material - Resin	Polyester
Net Weight	35.290/g
Number of Rows	3
Packaging Type	Carton
Panel Mount	No
Pitch - Mating Interface	2.54mm, 3.50mm, 6.75mm
Polarized to Mating Part	Yes
Stackable	No
Temperature Range - Operating	-40°C to +125°C

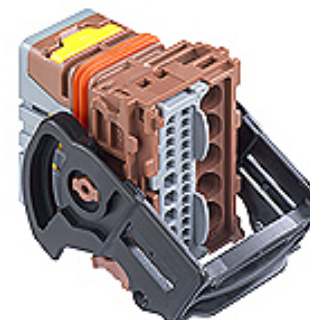
Electrical

Current - Maximum per Contact	12.0A, 2.5A, 21.0A
-------------------------------	--------------------

Solder Process Data

Lead-freeProcess Capability	N/A
-----------------------------	-----

Material Info



Series image - Reference only

EU ELV

Compliant

EU RoHS

Compliant

REACH SVHC

Not Contained Per - ED/108/2014 (17 Dec 2014)

Halogen-Free

Status

Not Relevant

Need more information on product environmental compliance?

Email productcompliance@molex.com
Please visit the [Contact Us](#) section for any non-product compliance questions.

China ROHS

ELV

China RoHS

Not Relevant

Compliant

Search Parts in this Series

[64318 Series](#)

Mates With

[47745 CMC Header](#) Please Contact Molex for Details

Use With

Female Terminals [64322 CP 0.635](#), [64323 CP 1.5](#), [64324 CP 2.8](#) . Circuit Way Plugs, [64325-1010](#) , [64325-1023](#) , [64325-1091](#). CMC Wire Cap, [64320-1301](#) , [64325-1162](#) , [64325-1175](#) , [64325-1188](#) , Link :[64325-1196](#)

Application Tooling | FAQ

Tooling specifications and manuals are found by selecting the products below. Crimp Height Specifications are then contained in the Application Tooling Specification document.

Reference - Drawing Numbers

Application Specification

Packaging Specification

Product Specification

Sales Drawing

AS-64318-002, AS-64318-002-CH, AS-64318-002-FR,
AS-64318-002-SP, AS-98420-001, AS-98420-001-CH,
AS-98420-001-FR, AS-98420-001-SP
PK-98994-001
PS-64321-001
SD-64318-001

Global**Description****Product #**

Continuity Test Pen Assembly	<u>0638121100</u>
Unlocking Tool for CMC and CMX Receptacle Connector	<u>0638241200</u>

This document was generated on 03/08/2016

PLEASE CHECK WWW.MOLEX.COM FOR LATEST PART INFORMATION