

**PLEASE CHECK WWW.MOLEX.COM FOR LATEST PART INFORMATION**

**Part Number:** **0541045033**  
**Status:** **Active**  
**Overview:** FFC-FPC (SMT)  
**Description:** 0.50mm Pitch Easy-On™ Type FFC/FPC Connector, Right Angle, Surface Mount, ZIF, Top Contact Style, 50 Circuits

**Documents:**

[3D Model](#) [Packaging Specification SPK-54104-001 \(PDF\)](#)  
[Drawing \(PDF\)](#) [RoHS Certificate of Compliance \(PDF\)](#)  
[Product Specification PS-54104-073 \(PDF\)](#)

**Agency Certification**

CSA LR19980

**General**

Product Family FFC/FPC Connectors  
Series 54104  
Overview [FFC-FPC \(SMT\)](#)  
Product Name Easy-On™  
UPC 887191257846

**Physical**

Circuits (Loaded) 50  
Color - Resin Natural  
Contact Position Top  
Durability (mating cycles max) 20  
Entry Angle 90° Angle  
Flammability 94V-0  
Mated Height 2.00mm  
Material - Metal Phosphor Bronze  
Material - Plating Mating Silver, Tin-Bismuth  
Material - Plating Termination Silver, Tin-Bismuth  
Material - Resin Nylon  
Net Weight 555.300/mg  
Number of Rows 1  
Orientation Right Angle  
PC Tail Length 2.00mm  
PCB Locator No  
PCB Retention None  
Packaging Type Embossed Tape on Reel  
Pitch - Mating Interface 0.50mm  
Pitch - Termination Interface 0.50mm  
Polarized to PCB Yes  
Stackable No  
Surface Mount Compatible (SMC) N/A  
Temperature Range - Operating -40°C to +85°C  
Termination Interface: Style Surface Mount  
Wire/Cable Type FFC/FPC

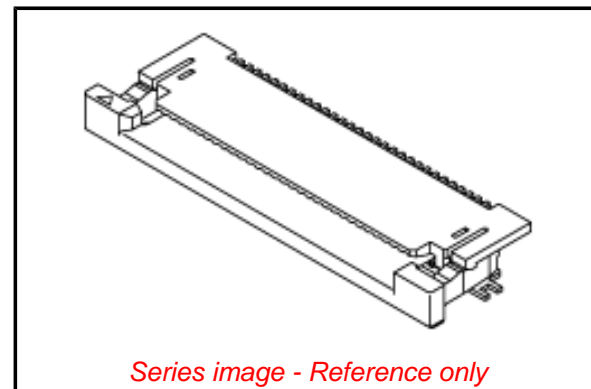
**Electrical**

Current - Maximum per Contact 0.5A  
Voltage - Maximum 50V

**Material Info**

**Reference - Drawing Numbers**

Packaging Specification SPK-54104-001  
Product Specification PS-54104-073, RPS-54104-099



**EU ELV**

**Not Relevant**

**EU RoHS**

**Compliant**

**REACH SVHC**

Not Contained Per  
-ED/79/2015 (17  
December 2015)

**Halogen-Free**

**Status**

**Not Low-Halogen**

**Need more information on product environmental compliance?**

Email [productcompliance@molex.com](mailto:productcompliance@molex.com)  
Please visit the [Contact Us](#) section for any non-product compliance questions.

China ROHS

ELV

**China RoHS**

Green Image

Not Relevant

**Search Parts in this Series**

54104 Series

**Mates With**

<a href="http://www.molex.com/product/premoflex\_ffc-fpc.html">Molex Premo-Flex FFC</a>. Be sure to match like plating

This document was generated on 03/08/2016

**PLEASE CHECK [WWW.MOLEX.COM](http://WWW.MOLEX.COM) FOR LATEST PART INFORMATION**