


PCB TERMINAL BLOCKS

5mm Pitch Pluggable for Vertical or 90° mounting Screw Terminal

- 2-12 pole interlocking
- Pluggable via header pins
- Test probe facility
- Dual horizontal or vertical mounting
- Moulded in black UL94-V0 flame retardant PA66
- Wire protector terminals
- 0.8-1.5mm² (28-16AWG) solid & stranded cable
- Captive screws
-  us approved

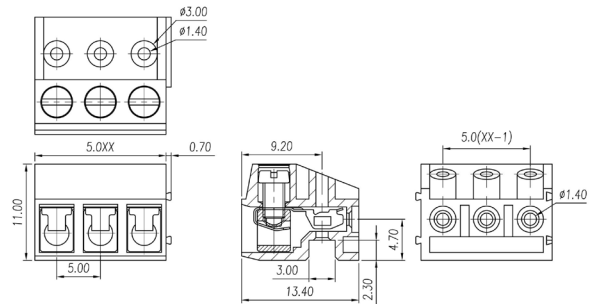
CTBA1301



TYPE NO.	POLES	LENGTH
CTBA1301/2A	2	10mm
CTBA1301/3A	3	15mm
CTBA1301/4A	4	20mm
CTBA1301/5A	5	25mm
CTBA1301/6A	6	30mm
CTBA1301/7A	7	35mm
CTBA1301/8A	8	40mm
CTBA1301/9A	9	45mm
CTBA1301/10A	10	50mm
CTBA1301/11A	11	55mm
CTBA1301/12A	12	60mm

SPECIFICATION

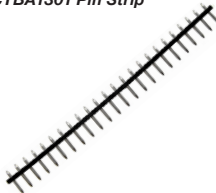
Rating	10A/300V
Dielectric strength	2.5kV/60 sec
Working temperature	-40°C to 105°C
Moulding	UL94-V0 flame retardant PA66
Wire protector	Phosphor bronze, nickel plated
Terminal	Brass nickel plated
Screw/torque	M2.5 steel nickel plated, 0.4Nm



5mm Pitch 24 Pin Strip Header

- Supplied in 24 way
- Easily cut to required length
- Can be supplied pre-cut
- Flame retardant PBT material
- Anti solder wicking
- Guided pin alignment
- Single pin available (CTBA1301P)

CTBA1301 Pin Strip



TYPE NO.	POLES
CTBA1301P	1 Pin
CTBA1301/PS24	24 way Pin strip

SPECIFICATION

Rating	10A/300V
Insulation withstands volt	2000V min
Insulation resistance	2000MΩ
Working temperature	-30°C to +120°C
Soldering condition	250°C/ 5 seconds
Moulding	UL94-V0 flame retardant PBT
Pins	Tinned 3-5µm, brass
Recommended PCB hole size	ø1.5mm

Recommended PCB Layout

