

IL-FHR SERIES CONNECTORS

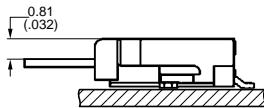
0.5mm (.020") Contact Spacing Connectors for FPC



FEATURES

- SMT configuration
- Low profile
- Rotating slider construction permits slider operation with one hand
- Applicable FPC 0.3mm (.012") center, 0.2mm (.008") thick with reinforcement
- Available in embossed tape for automatic mounting

Connector Profile (Ref.)



• • • • •

IL-FHR Series connectors are extremely high density, low profile connectors for PCB-to-FPC applications. The design utilizes a slider for easy, yet reliable, engagement of the flex cable to the contacts. They are ideally used in audio-visual, personal computers, personal digital assistants (PDA) and LCD displays.

GENERAL SPECIFICATIONS

Number of Contacts	8, 10, 14, 15, 18, 20, 22, 26, 30, 32, 33, 36, 40, 45, 50
Contact Spacing	0.5mm (.020")
Applicable FPC	0.5mm (.020") Center 0.3mm (.012") Thick with reinforcement
Current Rating	0.5 Amps
Dielectric Withstanding Voltage	250 VAC r.m.s. (for one minute)
Insulation Resistance	100 megohms min.
Contact Resistance	20 milliohms max.
Operating Temperature	-40°C to +85°C

MATERIALS AND FINISHES

Description	Materials/Finishes
Base and Slide Insulator	Glass-filled PPS (UL94V-0)
Contact	Phosphor Bronze/Tin Plated Terminal Area: Tin plating
Hold-down	Phosphor Bronze/Tin Plated

ORDERING INFORMATION

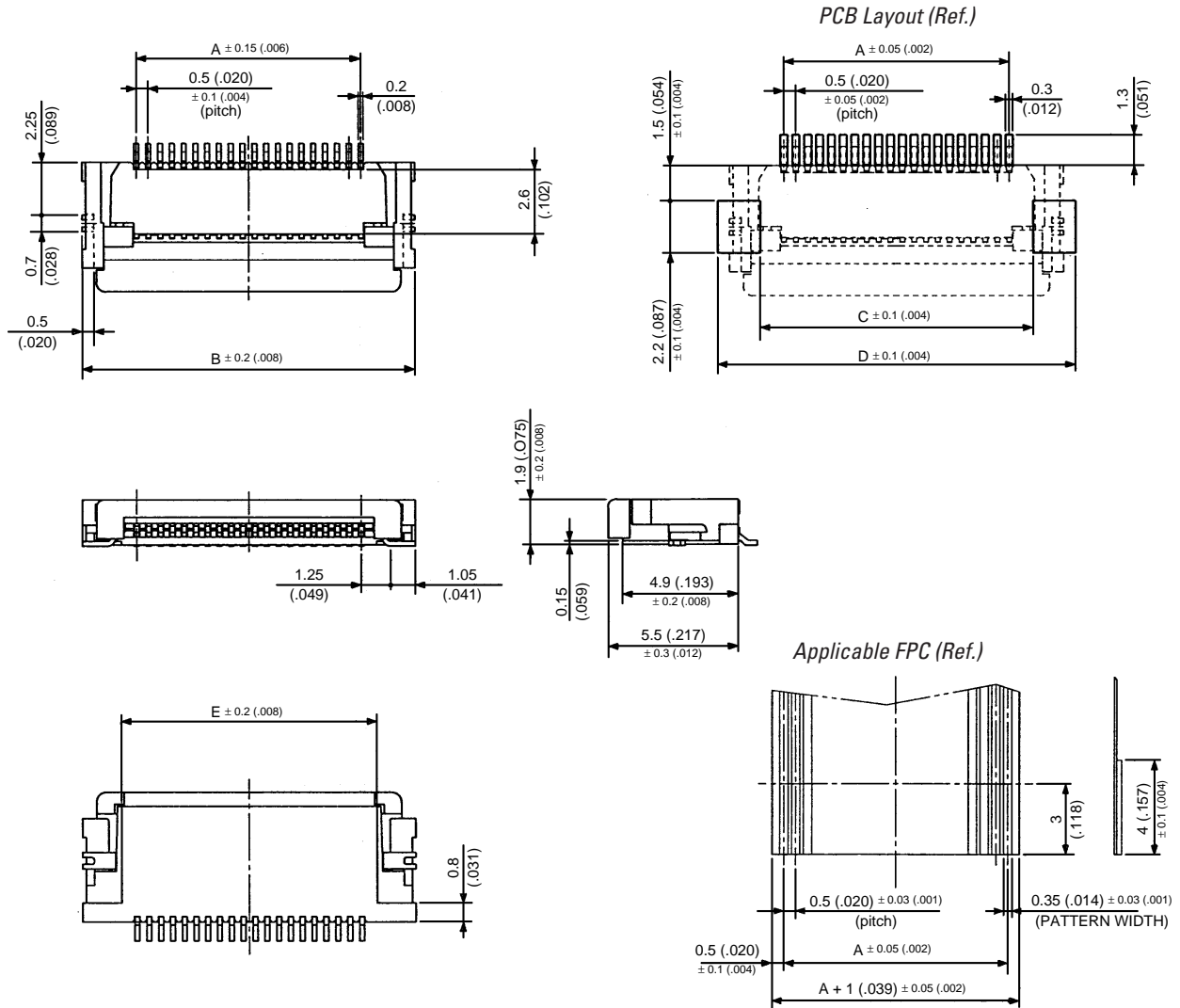
	IL-FHR	-	***	S	-	HF	-	E3000
Series	_____							
No. of Contacts	_____							
08 – 26	_____							
F30 – F50	_____							
Contact Type	_____							
S – Socket	_____							
Termination	_____							
HF – Right Angle	_____							
Embossed Tape	_____							
E3000 – 3,000 Pieces/Reel	_____							

Dimensions and specifications subject to change without notice.



IL-FHR SERIES CONNECTORS

0.5mm (.020") Contact Spacing Connectors for FPC



No. of Contacts	Part Number*	A	B	C	D	E
8	IL-FHR- 8S-HF	3.5 (.138)	8.1 (.319)	5.5 (.217)	9.1 (.358)	4.8 (.189)
10	IL-FHR-10S-HF	4.5 (.177)	9.1 (.358)	6.5 (.256)	10.1 (.398)	5.8 (.228)
14	IL-FHR-14S-HF	6.5 (.256)	11.1 (.437)	8.5 (.335)	12.1 (.476)	7.8 (.307)
15	IL-FHR-15S-HF	7 (.276)	11.6 (.457)	9 (.354)	12.6 (.496)	8.3 (.327)
18	IL-FHR-18S-HF	8.5 (.335)	13.1 (.516)	10.5 (.413)	14.1 (.555)	9.8 (.386)
20	IL-FHR-20S-HF	9.5 (.374)	14.1 (.555)	11.5 (.453)	15.1 (.594)	10.8 (.425)
22	IL-FHR-22S-HF	10.5 (.413)	15.1 (.594)	12.5 (.492)	16.1 (.634)	11.8 (.465)
26	IL-FHR-26S-HF	12.5 (.492)	17.1 (.673)	14.5 (.571)	18.1 (.713)	13.8 (.543)
30	IL-FHR-F30S-HF	14.5 (.571)	19.1 (.752)	16.5 (.650)	20.1 (.791)	15.8 (.622)
32	IL-FHR-F32S-HF	15.5 (.610)	20.1 (.791)	17.5 (.689)	21.1 (.831)	16.8 (.661)
33	IL-FHR-F33S-HF	16 (.630)	20.6 (.811)	18 (.709)	21.6 (.850)	17.3 (.681)
36	IL-FHR-F36S-HF	17.5 (.689)	22.1 (.870)	19.5 (.768)	23.1 (.909)	18.8 (.740)
40	IL-FHR-F40S-HF	19.5 (.768)	24.1 (.949)	21.5 (.846)	25.1 (.988)	20.8 (.813)
45	IL-FHR-F45S-HF	22 (.866)	26.6 (1.047)	24 (.945)	27.6 (1.082)	23.3 (.917)
50	IL-FHR-F50S-HF	24.5 (.965)	29.1 (1.146)	26.5 (1.043)	30.1 (1.181)	25.8 (1.016)

* For embossed tape, add E3000 to part number.

Dimensions in mm (inches).