

**M8-Round-Plug Connector, Single-Ended Cordsets,  
According to IEC 61976-2-104**

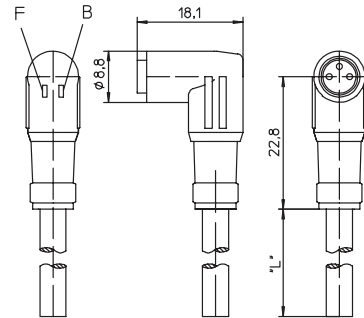
RKMW/LED



**3-Poles (LED)**

Actuator/sensor cordset, single-ended, M8, 3-poles, female 90° connector with LED operation and function indicator, with snap-in joint and molded cable.

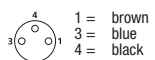
RKMW/LED



**Pin Assignments**

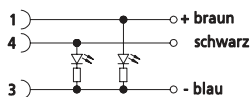
M8

3 poles



**Wiring Diagram**

A pnp Normally open = yellow-green





# Be Certain with Belden

## M8-Round-Plug Connector, Single-Ended Cordsets, According to IEC 61976-2-104 RKMW/LED 3

### Technical Data

#### Environmental

Degree of protection IP 65  
Operating temperature range -40°C (-40°F) / +90°C (+194°F)

#### Mechanical

Housing / Molded body TPU  
Insert PA / TPU  
Contact CuZn, pre-nickel and 0.8 microns gold-plated  
Coupling nut CuZn, nickel-plated

#### Electrical data

Contact resistance  $\leq 5 \text{ m}\Omega$   
Nominal current at 40°C 4 A  
Nominal voltage 10-30 V DC  
Insulation resistance  $> 10^9 \Omega$   
Pollution degree 3

### Cable Specifications

Cable No.	Outer Jacket	Conductor Size	Jacket Color	OD
06	PVC	3 x 0.34 mm <sup>2</sup>	Orange	.197" (5.0 mm)
224	PUR, halogen-free	3 x 0.34 mm <sup>2</sup>	Black	.169" (4.3 mm)

Part Number	Pins	Outer Jacket	Standard Cable Lengths	Characteristics
RKMW/LED A 3-06/...M	3		2 M / 5 M / 10 M	
RKMW/LED A 3-224/...M			2 M / 5 M / 10 M	