

HCPL0700, HCPL0701, HCPL0730, HCPL0731

Low Input Current High Gain Split Darlington Optocouplers

Single Channel: HCPL0700, HCPL0701, Dual Channel: HCPL0730, HCPL0731

Features

- Low input current: 0.5mA
- Superior CTR: 2000%
- Superior CMR – 10 kV/μs
- CTR guaranteed 0°C to 70°C
- U.L. Recognized (file# E90700)
- VDE 0884 recognized (file# 136616)
– approval pending for HCPL0730/0731
- BSI recognized (file# 8661, 8662)
– HCPL0700/0701 only

Applications

- Digital logic ground isolation
- Telephone ring detector
- EIA-RS-232C line receiver
- High common mode noise line receiver
- μP bus isolation
- Current loop receiver

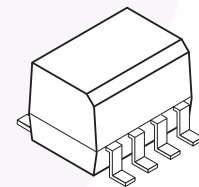
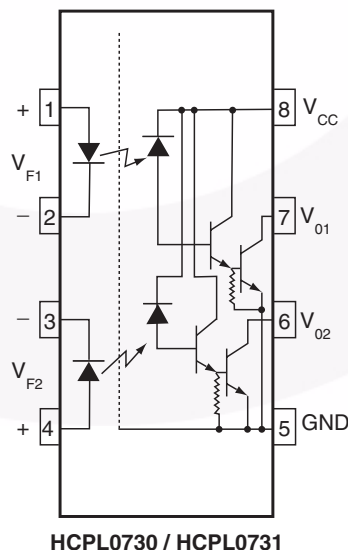
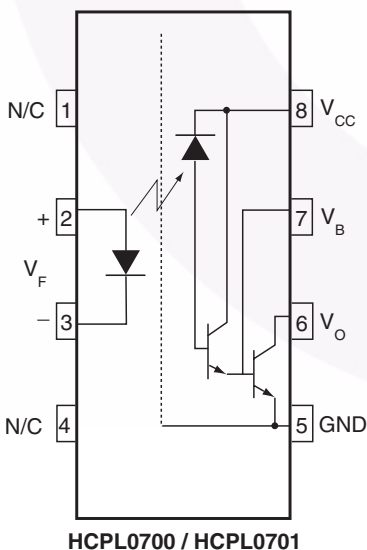
Description

The HCPL0700, HCPL0701, HCPL0730 and HCPL0731 optocouplers consist of an AlGaAs LED optically coupled to a high gain split darlington photodetector housed in a compact 8-pin small outline package. The HCPL0730 and HCPL0731 devices have two channels per package for optimum mounting density.

The split darlington configuration separating the input photodiode and the first stage gain from the output transistor permits lower output saturation voltage and higher speed operation than possible with conventional darlington phototransistor optocoupler.

The combination of a very low input current of 0.5mA and a high current transfer ratio of 2000% makes this family particularly useful for input interface to MOS, CMOS, LSTTL and EIA RS232C, while output compatibility is ensured to CMOS as well as high fan-out TTL requirements.

Schematics



Truth Table

| LED | V _O |
|-----|----------------|
| ON | LOW |
| OFF | HIGH |

Absolute Maximum Ratings ($T_A = 25^\circ\text{C}$ unless otherwise specified)

Stresses exceeding the absolute maximum ratings may damage the device. The device may not function or be operable above the recommended operating conditions and stressing the parts to these levels is not recommended. In addition, extended exposure to stresses above the recommended operating conditions may affect device reliability. The absolute maximum ratings are stress ratings only.

| Symbol | Parameter | Value | Units | |
|-----------------|--|-------------------|------------------|---|
| T_{STG} | Storage Temperature | -40 to +125 | $^\circ\text{C}$ | |
| T_{OPR} | Operating Temperature | -40 to +85 | $^\circ\text{C}$ | |
| | Reflow Temperature Profile (Refer to page 12) | | | |
| EMITTER | | | | |
| I_F (avg) | DC/Average Forward Input Current | 20 | mA | |
| I_F (pk) | Peak Forward Input Current (50% duty cycle, 1 ms P.W.) | 40 | mA | |
| I_F (trans) | Peak Transient Input Current - ($\leq 1 \mu\text{s}$ P.W., 300 pps) | 1.0 | A | |
| V_R | Reverse Input Voltage | 5 | V | |
| P_D | Input Power Dissipation | 35 | mW | |
| DETECTOR | | | | |
| I_O (avg) | Average Output Current (Pin 6) | 60 | mA | |
| V_{EBR} | Emitter-Base Reverse Voltage | HCPL0700/HCPL0701 | 0.5 | V |
| V_{CC}, V_O | Supply Voltage, Output Voltage | HCPL0700/HCPL0730 | -0.5 to 7 | V |
| | | HCPL0701/HCPL0731 | -0.5 to 18 | |
| P_D | Output power dissipation | 100 | mW | |

Electrical Characteristics ($T_A = 0$ to 70°C unless otherwise specified)

Individual Component Characteristics

| Symbol | Parameter | Test Conditions | Device | Min. | Typ.* | Max | Unit | |
|-----------------|---------------------------------|--|--------------------------|-------------|-------|------|---------------|---|
| EMITTER | | | | | | | | |
| V_F | Input Forward Voltage | $I_F = 1.6\text{mA}$ | $T_A = 25^\circ\text{C}$ | HCPL0700/01 | 1.0 | 1.25 | 1.7 | V |
| | | | | HCPL0730/31 | | 1.35 | | |
| | | All | | | | 1.75 | | |
| BV_R | Input Reverse Breakdown Voltage | $T_A = 25^\circ\text{C}$, $I_R = 10\mu\text{A}$ | All | 5.0 | | | | |
| DETECTOR | | | | | | | | |
| I_{OH} | Logic High Output Current | $I_F = 0\text{mA}$, $V_O = V_{CC} = 18\text{V}$ | HCPL0701/31 | | 0.01 | 100 | μA | |
| | | $I_F = 0\text{mA}$, $V_O = V_{CC} = 7\text{V}$ | HCPL0700/30 | | 0.01 | 250 | | |
| I_{CCL} | Logic Low Supply Current | $I_F = 1.6\text{mA}$, $V_O = \text{Open}$, $V_{CC} = 18\text{V}$ | HCPL0700/01 | | 0.4 | 1.5 | mA | |
| | | $I_{F1} = I_{F2} = 1.6\text{mA}$, $V_{CC} = 7\text{V}$ | HCPL0730 | | 0.8 | 3 | | |
| | | $V_{O1} = V_{O2} = \text{Open}$, $V_{CC} = 18\text{V}$ | HCPL0731 | | 1 | | | |
| I_{CCH} | Logic High Supply Current | $I_F = 0\text{mA}$, $V_O = \text{Open}$, $V_{CC} = 18\text{V}$ | HCPL0700/01 | | | 10 | μA | |
| | | $I_{F1} = I_{F2} = 0$, $V_{CC} = 7\text{V}$ | HCPL0730 | | 0.001 | 20 | | |
| | | $V_{O1} = V_{O2} = \text{Open}$, $V_{CC} = 18\text{V}$ | HCPL0731 | | 0.01 | | | |

Transfer Characteristics

| Symbol | Parameter | Test Conditions | Device | Min. | Typ.* | Max. | Unit |
|----------|--|--|---------------|------|-------|------|------|
| CTR | COUPLED Current Transfer Ratio (Note 1, 2) | $I_F = 0.5\text{mA}$, $V_O = 0.4\text{V}$, $V_{CC} = 4.5\text{V}$ | HCPL0701/31 | 400 | | 5000 | % |
| | | | HCPL0700 | 300 | | 2600 | |
| | | | HCPL0701 | 500 | | 2600 | |
| | | | HCPL0730 | 300 | | 5000 | |
| | | | HCPL0731 | 500 | | 5000 | |
| V_{OL} | Logic Low Output Voltage | $I_F = 0.5\text{mA}$, $I_O = 2\text{mA}$, $V_{CC} = 4.5\text{V}$ | HCPL0701 | | | 0.4 | V |
| | | | HCPL0731 | | | 0.4 | |
| | | | | | | 0.4 | |
| | | | | | | 0.4 | |
| | | | | | | 0.4 | |
| | | $I_F = 1.6\text{mA}$, $I_O = 4.8\text{mA}$, $V_{CC} = 4.5\text{V}$ | HCPL0700/0730 | | | 0.4 | |

Isolation Characteristics

| Symbol | Characteristics | Test Conditions | Min. | Typ.* | Max. | Unit |
|-----------|---|---|------|-----------|------|---------------|
| I_{I-O} | Input-Output Insulation Leakage Current | Relative humidity = 45%, $T_A = 25^\circ\text{C}$, $t = 5\text{ s}$, $V_{I-O} = 3000\text{ VDC}$ (Note 4) | | | 1.0 | μA |
| V_{ISO} | Withstand Insulation Test Voltage | $R_H \leq 50\%$, $T_A = 25^\circ\text{C}$, $I_{I-O} \leq 2\mu\text{A}$, $t = 1\text{ min.}$ (Note 4, 5) | 2500 | | | V_{RMS} |
| R_{I-O} | Resistance (Input to Output) | $V_{I-O} = 500\text{ VDC}$ (Note 4) | | 10^{12} | | Ω |

 *All typicals at $T_A = 25^\circ\text{C}$

Electrical Characteristics ($T_A = 0$ to 70°C unless otherwise specified)

Switching Characteristics ($V_{CC} = 5\text{V}$)

| Symbol | Parameter | Test Conditions | Device | Min. | Typ.* | Max. | Unit | | | |
|-----------|---|---|--|---|-------|-------------|---------------|----------------|------------------------|----|
| T_{PHL} | Propagation Delay Time to Logic Low (Note 2) (Fig. 14) | $R_L = 4.7\text{k}\Omega, I_F = 0.5\text{mA}$ | HCPL0701 | | | 30 | μs | | | |
| | | | HCPL0731 | | | 120 | | | | |
| | | | $T_A = 25^\circ\text{C}$ | | | HCPL0701 | | 3 | 25 | |
| | | | HCPL0731 | | | 5 | | 100 | | |
| | | $R_L = 270\ \Omega, I_F = 12\text{mA}$ | HCPL0701 | | | | | 2 | | |
| | | | HCPL0731 | | | | | 3 | | |
| | | | $T_A = 25^\circ\text{C}$ | | | | | HCPL0701 | 0.3 | 1 |
| | | | HCPL0731 | | | | | 0.4 | 2 | |
| | | $R_L = 2.2\ \text{k}\Omega, I_F = 1.6\text{mA}$ | HCPL0700 | | | | | 15 | | |
| | | | HCPL0730/0731 | | | | | 25 | | |
| | | | $T_A = 25^\circ\text{C}$ | | | | | HCPL0700 | 1 | 10 |
| | | | HCPL0730/0731 | | | | | 2 | 20 | |
| T_{PLH} | Propagation Delay Time to Logic High (Note 2) (Fig. 14) | $R_L = 4.7\ \text{k}\Omega, I_F = 0.5\text{mA}$ | HCPL0701/31 | | | 90 | μs | | | |
| | | | $T_A = 25^\circ\text{C}$ | | | HCPL0701/31 | | 12 | 60 | |
| | | $R_L = 270\ \Omega, I_F = 12\text{mA}$ | HCPL0701 | | | | | 10 | | |
| | | | HCPL0731 | | | | | 15 | | |
| | | | $T_A = 25^\circ\text{C}$ | | | | | HCPL0701 | 1.6 | 7 |
| | | | HCPL0731 | | | | | 1.6 | 10 | |
| | | $R_L = 2.2\ \text{k}\Omega, I_F = 1.6\text{mA}$ | HCPL0700/30/31 | | | | | 50 | | |
| | | | $T_A = 25^\circ\text{C}$ | | | | | HCPL0700/30/31 | 7 | 35 |
| | | ICM_H | Common Mode Transient Immunity at Logic High | $I_F = 0\text{mA}, V_{CM} = 10\ \text{V}_{P-P}, T_A = 25^\circ\text{C}, R_L = 2.2\text{k}\Omega$ (Note 3) (Fig. 15) | ALL | 1,000 | 10,000 | | $\text{V}/\mu\text{s}$ | |
| | | ICM_L | Common Mode Transient Immunity at Logic Low | $I_F = 1.6\text{mA}, V_{CM} = 10\ \text{V}_{P-P}, T_A = 25^\circ\text{C}, R_L = 2.2\ \text{k}\Omega$ (Note 3) (Fig. 15) | ALL | 1,000 | 10,000 | | $\text{V}/\mu\text{s}$ | |

*All typicals at $T_A = 25^\circ\text{C}$

Notes:

- Current Transfer Ratio is defined as a ratio of output collector current, I_O , to the forward LED input current, I_F , times 100%.
- Pin 7 open. Use of a resistor between pins 5 and 7 will decrease gain and delay time.
- Common mode transient immunity in logic high level is the maximum tolerable (positive) dV_{CM}/dt on the leading edge of the common mode pulse signal, V_{CM} , to assure that the output will remain in a logic high state (i.e., $V_O > 2.0\text{V}$). Common mode transient immunity in logic low level is the maximum tolerable (negative) dV_{CM}/dt on the trailing edge of the common mode pulse signal, V_{CM} , to assure that the output will remain in a logic low state (i.e., $V_O < 0.8\ \text{V}$).
- Device is considered a two terminal device: Pins 1, 2, 3 and 4 are shorted together and Pins 5, 6, 7 and 8 are shorted together.
- 2500 VAC RMS for 1 minute duration is equivalent to 3000 VAC RMS for 1 second duration.

Typical Performance Curves

Fig. 1 Propagation Delay vs. Temperature (HCPL0700, HCPL0701)

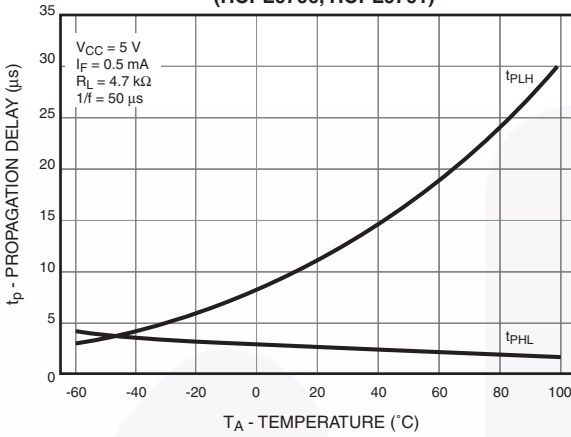


Fig. 2 Propagation Delay vs. Temperature (HCPL0700, HCPL0701)

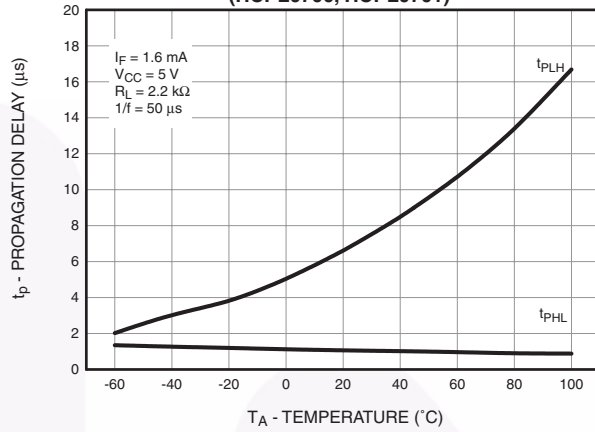


Fig. 3 Propagation Delay vs. Temperature (HCPL0700, HCPL0701)

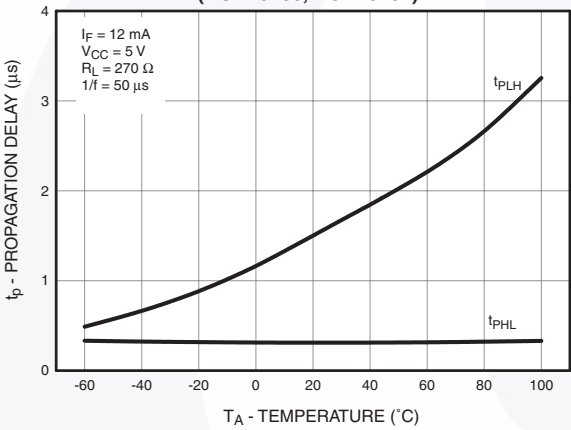


Fig. 4 Logic High Output Current vs. Temperature (HCPL0700, HCPL0701)

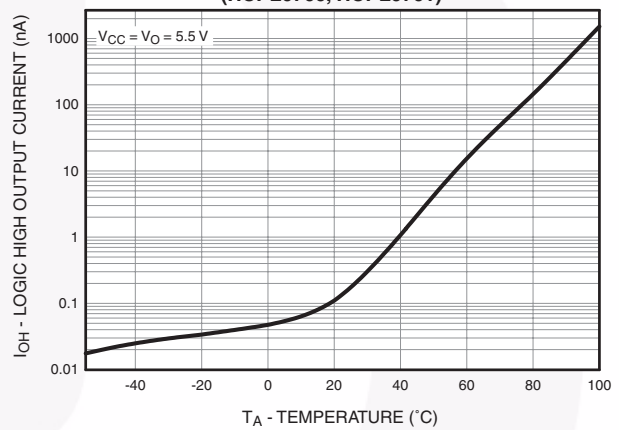


Fig. 5 Propagation Delay vs. Input Forward Current (HCPL0730, HCPL0731)

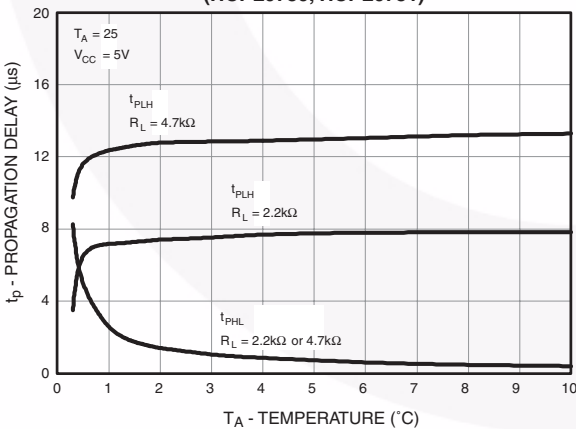
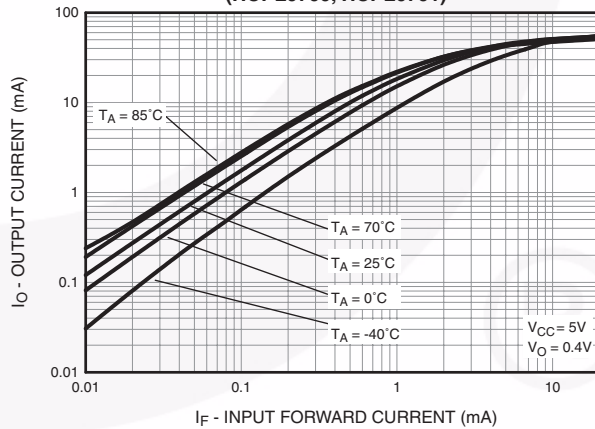


Fig. 6 Output Current vs. Input Forward Current (HCPL0700, HCPL0701)



Typical Performance Curves (Continued)

Fig. 7 Input Forward Current vs. Forward Voltage (HCPL0700, HCPL0701)

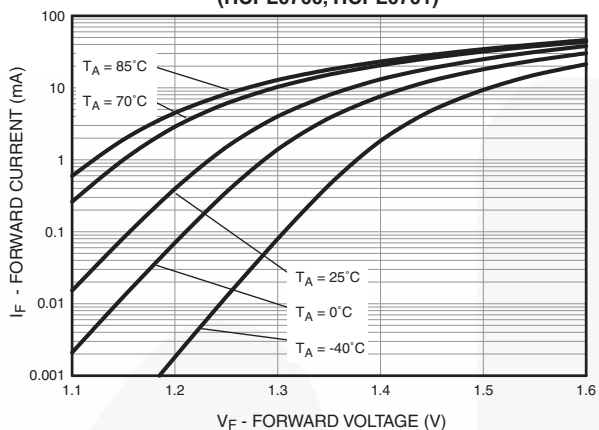


Fig. 8 Input Forward Current vs. Forward Voltage (HCPL0730, HCPL0731)

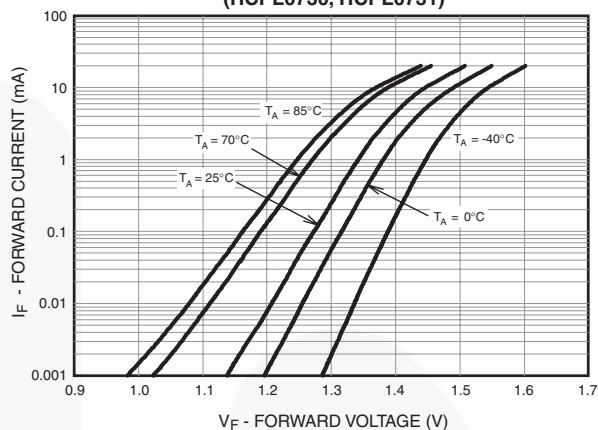


Fig. 9 Logic Low Supply Current vs. Input Forward Current (HCPL0700, HCPL0701)

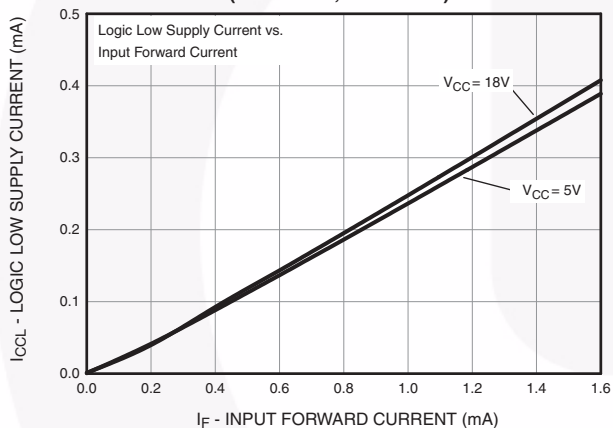


Fig. 10 Supply Current vs. Input Forward Current (HCPL0730, HCPL0731)

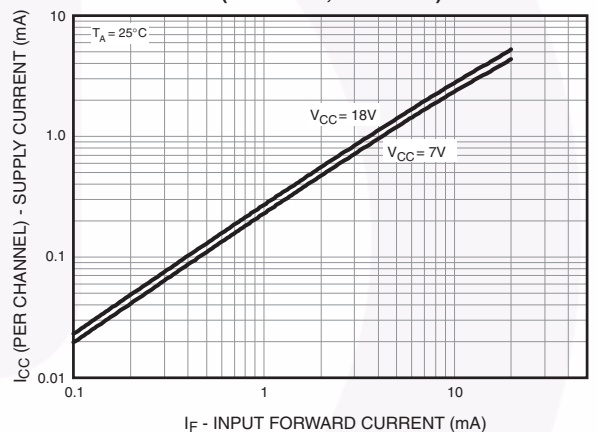


Fig. 11 DC Transfer Characteristics (HCPL0700, HCPL0701)

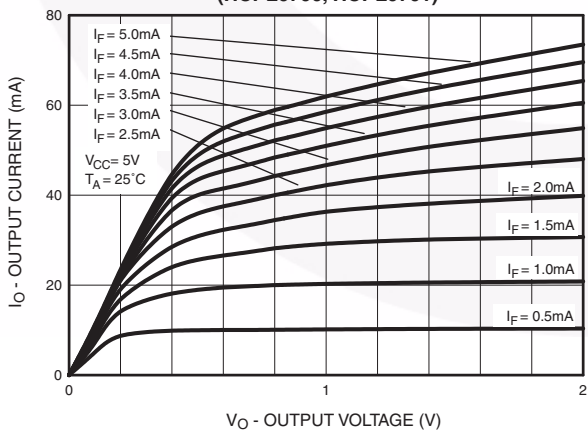
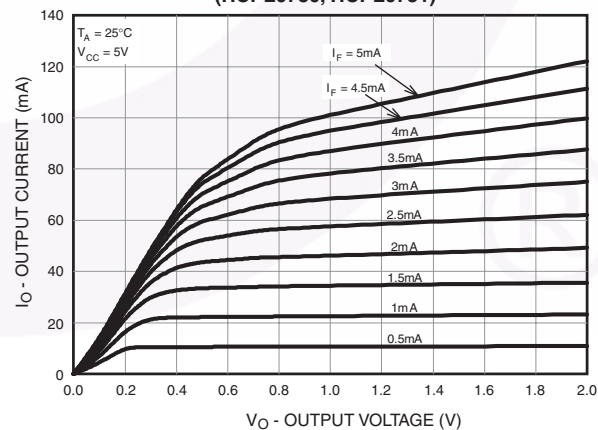
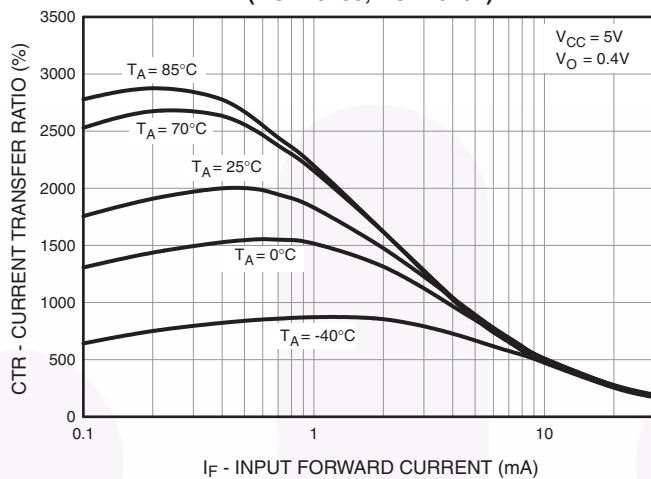


Fig. 12 DC Transfer Characteristics (HCPL0730, HCPL0731)

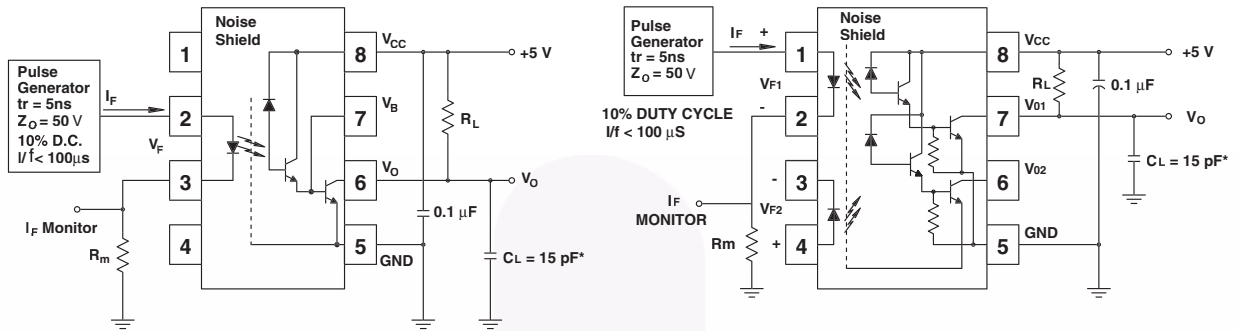


Typical Performance Curves (Continued)

Fig. 13 Current Transfer Ratio vs. Input Forward Current (HCPL0700, HCPL0701)



Test Circuits



Test Circuit for HCPL-0700 and HCPL-0701

Test Circuit for HCPL-0730 and HCPL-0731

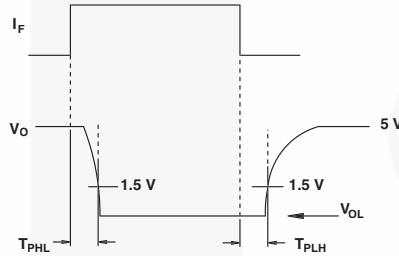
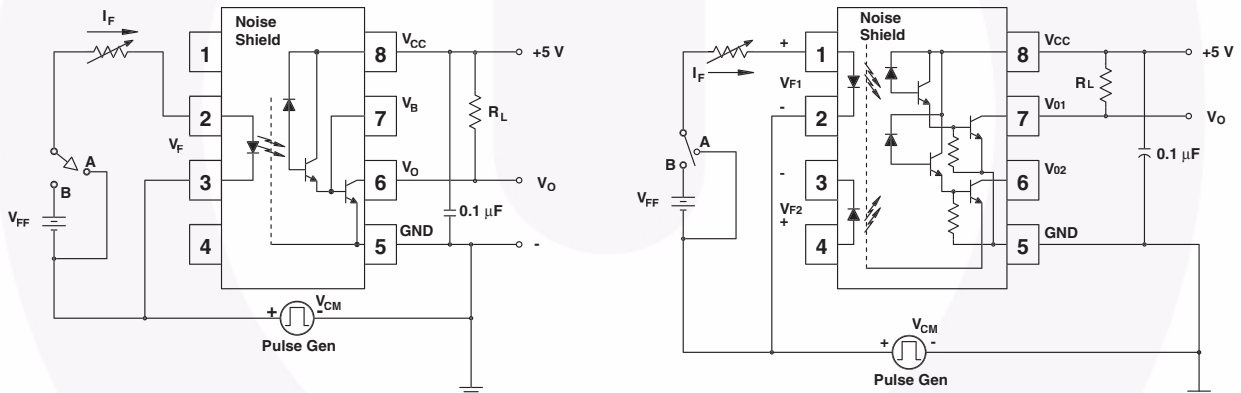


Fig. 14 Switching Time Test Circuit



Test Circuit for HCPL-0700 and HCPL-0701

Test Circuit for HCPL-0730 and HCPL-0731

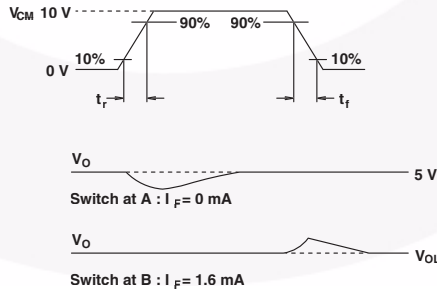
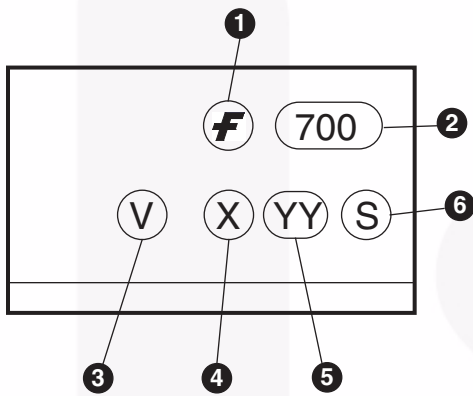


Fig. 15 Common Mode Immunity Test Circuit

Ordering Information

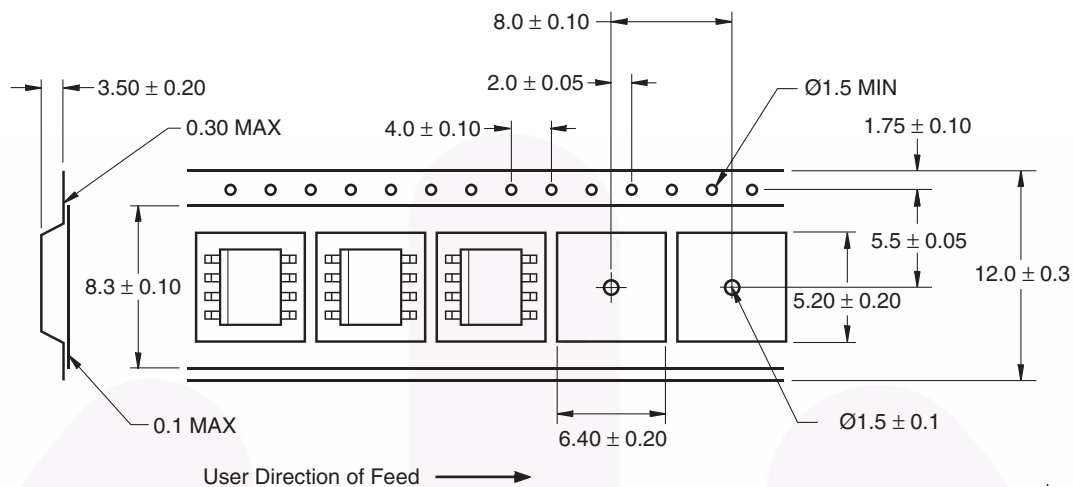
| Option | Part Number Example | Description |
|--------|---------------------|---|
| V | HCPL0700V | VDE 0884 |
| R2 | HCPL0700R2 | Tape and reel (2500 units per reel) |
| R2V | HCPL0700R2V | VDE 0884, Tape and reel (2500 units per reel) |

Marking Information



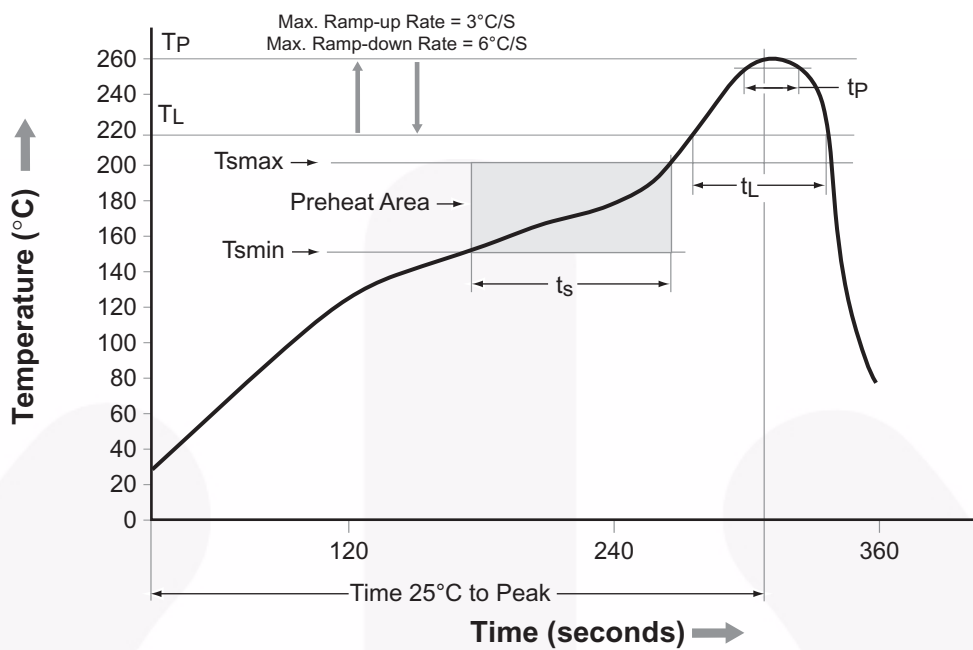
| Definitions | |
|-------------|--|
| 1 | Fairchild logo |
| 2 | Device number |
| 3 | VDE mark (Note: Only appears on parts ordered with VDE option – See order entry table) |
| 4 | One digit year code, e.g., '3' |
| 5 | Two digit work week ranging from '01' to '53' |
| 6 | Assembly package code |

Carrier Tape Specification

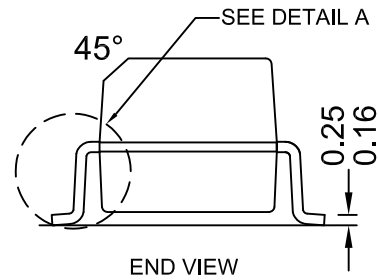
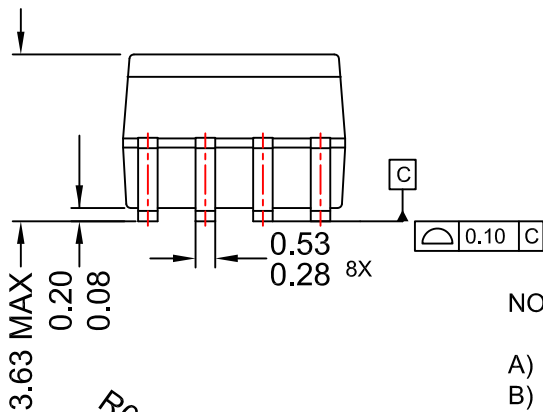
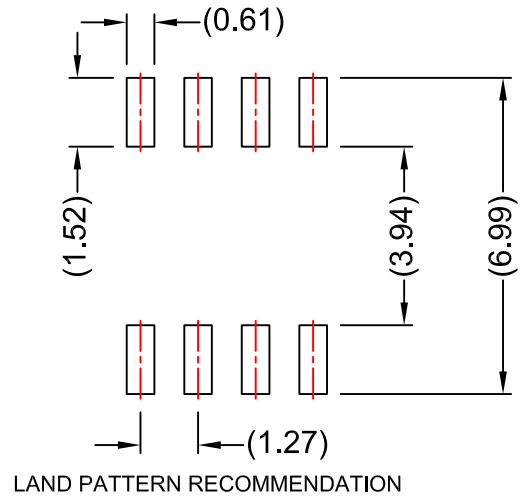
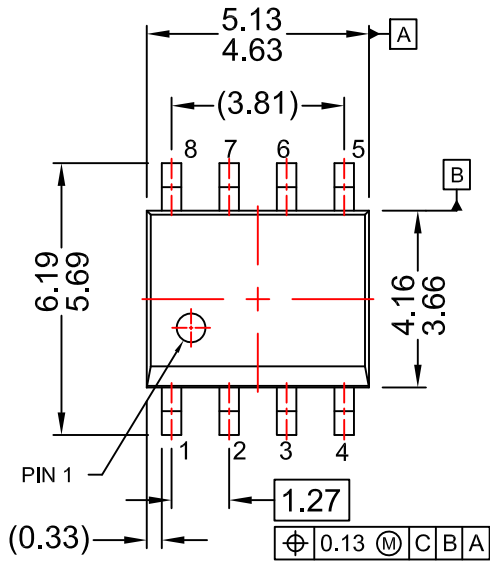


Dimensions in mm

Reflow Profile

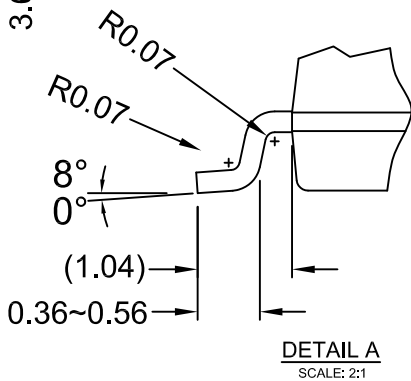


| Profile Feature | Pb-Free Assembly Profile |
|---------------------------------|--------------------------|
| Temperature Min. (Tsmín) | 150°C |
| Temperature Max. (Tsmáx) | 200°C |
| Time (ts) from (Tsmín to Tsmáx) | 60–120 seconds |
| Ramp-up Rate (tL to tp) | 3°C/second max. |
| Liquidous Temperature (TL) | 217°C |
| Time (tL) Maintained Above (TL) | 60–150 seconds |
| Peak Body Package Temperature | 260°C +0°C / -5°C |
| Time (tp) within 5°C of 260°C | 30 seconds |
| Ramp-down Rate (TP to TL) | 6°C/second max. |
| Time 25°C to Peak Temperature | 8 minutes max. |



NOTES:

- A) NO STANDARD APPLIES TO THIS PACKAGE
- B) ALL DIMENSIONS ARE IN MILLIMETERS.
- C) DIMENSIONS DO NOT INCLUDE MOLD FLASH OR BURRS.
- D) LANDPATTERN STANDARD: SOIC127P600X175-8M.
- E) DRAWING FILENAME: MKT-M08Erev5





TRADEMARKS

The following includes registered and unregistered trademarks and service marks, owned by Fairchild Semiconductor and/or its global subsidiaries, and is not intended to be an exhaustive list of all such trademarks.

- | | | | |
|--------------------------|--|---------------------------------------|------------------|
| AccuPower™ | F-PFS™ | OPTOPLANAR® | SYSTEM GENERAL® |
| AttitudeEngine™ | FRFET® | Power Supply WebDesigner™ | TinyBoost® |
| Awinda® | Global Power Resource SM | PowerTrench® | TinyBuck® |
| AX-CAP®* | GreenBridge™ | PowerXS™ | TinyCalc™ |
| BitSiC™ | Green FPS™ | Programmable Active Droop™ | TinyLogic® |
| Build it Now™ | Green FPS™ e-Series™ | QFET® | TINYOPTO™ |
| CorePLUS™ | Gmax™ | QS™ | TinyPower™ |
| CorePOWER™ | GTO™ | Quiet Series™ | TinyPWM™ |
| CROSSVOLT™ | IntelliMAX™ | RapidConfigure™ | TinyWire™ |
| CTL™ | ISOPLANAR™ | Saving our world, 1mW/W/kW at a time™ | TranSiC™ |
| Current Transfer Logic™ | Making Small Speakers Sound Louder and Better™ | SignalWise™ | TriFault Detect™ |
| DEUXPEED® | MegaBuck™ | SmartMax™ | TRUECURRENT®* |
| Dual Cool™ | MICROCOUPLER™ | SMART START™ | μSerDes™ |
| EcoSPARK® | MicroFET™ | Solutions for Your Success™ | UHC® |
| EfficientMax™ | MicroPak™ | SPM® | Ultra FRFET™ |
| ESBC™ | MicroPak2™ | STEALTH™ | UniFET™ |
| F [®] | MillerDrive™ | SuperFET® | Vcx™ |
| Fairchild® | MotionMax™ | SuperSOT™-3 | VisualMax™ |
| Fairchild Semiconductor® | MotionGrid® | SuperSOT™-6 | VoltagePlus™ |
| FACT Quiet Series™ | MTi® | SuperSOT™-8 | Xs™ |
| FACT® | MTx® | SupreMOS® | Xsens™ |
| FastvCore™ | MVN® | SyncFET™ | 仙童® |
| FETBench™ | mWSaver® | Sync-Lock™ | |
| FPS™ | OptoHiT™ | | |
| | OPTOLOGIC® | | |

* Trademarks of System General Corporation, used under license by Fairchild Semiconductor.

DISCLAIMER

FAIRCHILD SEMICONDUCTOR RESERVES THE RIGHT TO MAKE CHANGES WITHOUT FURTHER NOTICE TO ANY PRODUCTS HEREIN TO IMPROVE RELIABILITY, FUNCTION, OR DESIGN. TO OBTAIN THE LATEST, MOST UP-TO-DATE DATASHEET AND PRODUCT INFORMATION, VISIT OUR WEBSITE AT [HTTP://WWW.FAIRCHILDSEMI.COM](http://www.fairchildsemi.com). FAIRCHILD DOES NOT ASSUME ANY LIABILITY ARISING OUT OF THE APPLICATION OR USE OF ANY PRODUCT OR CIRCUIT DESCRIBED HEREIN; NEITHER DOES IT CONVEY ANY LICENSE UNDER ITS PATENT RIGHTS, NOR THE RIGHTS OF OTHERS. THESE SPECIFICATIONS DO NOT EXPAND THE TERMS OF FAIRCHILD'S WORLDWIDE TERMS AND CONDITIONS, SPECIFICALLY THE WARRANTY THEREIN, WHICH COVERS THESE PRODUCTS.

AUTHORIZED USE

Unless otherwise specified in this data sheet, this product is a standard commercial product and is not intended for use in applications that require extraordinary levels of quality and reliability. This product may not be used in the following applications, unless specifically approved in writing by a Fairchild officer: (1) automotive or other transportation, (2) military/aerospace, (3) any safety critical application – including life critical medical equipment – where the failure of the Fairchild product reasonably would be expected to result in personal injury, death or property damage. Customer's use of this product is subject to agreement of this Authorized Use policy. In the event of an unauthorized use of Fairchild's product, Fairchild accepts no liability in the event of product failure. In other respects, this product shall be subject to Fairchild's Worldwide Terms and Conditions of Sale, unless a separate agreement has been signed by both Parties.

ANTI-COUNTERFEITING POLICY

Fairchild Semiconductor Corporation's Anti-Counterfeiting Policy. Fairchild's Anti-Counterfeiting Policy is also stated on our external website, www.fairchildsemi.com, under Terms of Use

Counterfeiting of semiconductor parts is a growing problem in the industry. All manufacturers of semiconductor products are experiencing counterfeiting of their parts. Customers who inadvertently purchase counterfeit parts experience many problems such as loss of brand reputation, substandard performance, failed applications, and increased cost of production and manufacturing delays. Fairchild is taking strong measures to protect ourselves and our customers from the proliferation of counterfeit parts. Fairchild strongly encourages customers to purchase Fairchild parts either directly from Fairchild or from Authorized Fairchild Distributors who are listed by country on our web page cited above. Products customers buy either from Fairchild directly or from Authorized Fairchild Distributors are genuine parts, have full traceability, meet Fairchild's quality standards for handling and storage and provide access to Fairchild's full range of up-to-date technical and product information. Fairchild and our Authorized Distributors will stand behind all warranties and will appropriately address any warranty issues that may arise. Fairchild will not provide any warranty coverage or other assistance for parts bought from Unauthorized Sources. Fairchild is committed to combat this global problem and encourage our customers to do their part in stopping this practice by buying direct or from authorized distributors.

PRODUCT STATUS DEFINITIONS

Definition of Terms

| Datasheet Identification | Product Status | Definition |
|--------------------------|-----------------------|---|
| Advance Information | Formative / In Design | Datasheet contains the design specifications for product development. Specifications may change in any manner without notice. |
| Preliminary | First Production | Datasheet contains preliminary data; supplementary data will be published at a later date. Fairchild Semiconductor reserves the right to make changes at any time without notice to improve design. |
| No Identification Needed | Full Production | Datasheet contains final specifications. Fairchild Semiconductor reserves the right to make changes at any time without notice to improve the design. |
| Obsolete | Not In Production | Datasheet contains specifications on a product that is discontinued by Fairchild Semiconductor. The datasheet is for reference information only. |