



FSA4157, FSA4157A

Low-Voltage, 1 Ω SPDT Analog Switch

Features

- FSA4157A Features Lower I_{CC} when the S Input is Lower Than V_{CC}
- Maximum 1.15 Ω On Resistance (R_{ON}) at 4.5 V V_{CC}
- 0.3 Ω Maximum R_{ON} Flatness at 4.5 V V_{CC}
- Space-Saving 6-lead, MicroPak™ and SC70 6 Packages
- Broad V_{CC} Operating Range:
 - FSA4157: 1.65 V to 5.5 V
 - FSA4157A: 2.7 V to 5.5 V
- Fast Turn-On and Turn-Off Time
- Break-Before-Make Enable Circuitry
- Over-Voltage Tolerant TTL-Compatible Control Circuitry

Description

FSA4157 and FSA4157A are high performance Single Pole/Double Throw (SPDT) analog switches. Both devices feature ultra low R_{ON} of 1.15 Ω maximum at 4.5 V V_{CC} and operates over the wide V_{CC} range of 1.65 V to 5.5 V for FSA4157, and 2.7 V to 5.5 V for FSA4157A. The device is fabricated with sub-micron CMOS technology to achieve fast switching speeds and is designed for break-before-make operation. The select input is TTL level compatible.

The FSA4157A features very low quiescent current even when the control voltage is lower than the V_{CC} supply. This feature services the mobile handset applications very well allowing for the direct interface with baseband processor general purpose I/Os.

Ordering Information

| Part Number | Top Mark | Package Description | Packing Method |
|-------------|----------|--------------------------------------|--------------------------|
| FSA4157P6X | A57 | 6-Lead SC70, EIAJ SC88, 1.25 mm Wide | 3000 Units Tape and Reel |
| FSA4157L6X | EG | 6-Lead MicroPak,™ 1.0 mm Wide | 5000 Units Tape and Reel |
| FSA4157AP6X | B57 | 6-Lead SC70, EIAJ SC88, 1.25 mm Wide | 3000 Units Tape and Reel |
| FSA4157AL6X | EU | 6-Lead MicroPak™, 1.0 mm Wide | 5000 Units Tape and Reel |

Pin Configurations

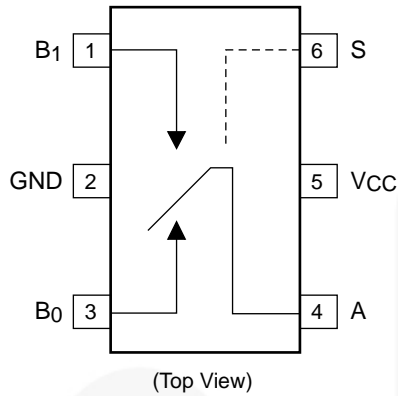


Figure 1. SC70 Pin Assignments

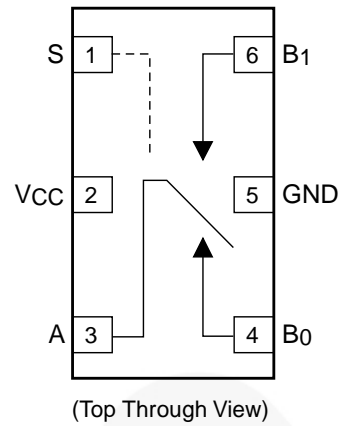


Figure 2. MicroPak™ Pin Assignments

Pin Definitions

| Pin# SC70 | Pin# MicroPak™ | Name | Description |
|--------------|-------------------|-----------------|----------------|
| 1 | 6 | B1 | Data Ports |
| 2 | 5 | GND | Ground |
| 3 | 4 | B0 | Data Ports |
| 4 | 3 | A | Data Ports |
| 5 | 2 | V _{CC} | Supply Voltage |
| 6 | 1 | S | Control Input |

Truth Table

| Control Input (S) | Function |
|-------------------|-------------------|
| Low | B0 connected to A |
| High | B1 connected to A |

Absolute Maximum Ratings

Stresses exceeding the absolute maximum ratings may damage the device. The device may not function or be operable above the recommended operating conditions and stressing the parts to these levels is not recommended. In addition, extended exposure to stresses above the recommended operating conditions may affect device reliability. The absolute maximum ratings are stress ratings only.

| Symbol | Parameter | | Min. | Max. | Unit |
|--------------|---|--|------|----------------|------|
| V_{CC} | Supply Voltage | | -0.5 | 6.0 | V |
| V_S | DC Switch Voltage ⁽¹⁾ | | -0.5 | $V_{CC} + 0.5$ | V |
| V_{IN} | DC Input Voltage ⁽¹⁾ | | -0.5 | 6.0 | V |
| I_{IK} | DC Input Diode Current | | -50 | | mA |
| I_{SW} | Switch Current | | | 200 | mA |
| I_{SWPEAK} | Peak Switch Current (Pulse at 1 ms duration, <10% Duty Cycle) | | | 400 | mA |
| P_D | Power Dissipation at 85°C | SC70 | | 180 | mW |
| | | MicroPak™ | | | |
| T_{STG} | Storage Temperature Range | | -65 | +150 | °C |
| T_J | Maximum Junction Temperature | | | +150 | °C |
| T_L | Lead Temperature (Soldering, 10 seconds) | | | +260 | °C |
| ESD | Electrostatic Discharge Capability | Human Body Model, JESD22-A114 (FSA4157A) | | 7500 | V |

Note:

- Input and output negative ratings may be exceeded if input and output diode current ratings are observed.

Recommended Operating Conditions

The Recommended Operating Conditions table defines the conditions for actual device operation. Recommended operating conditions are specified to ensure optimal performance to the datasheet specifications. Fairchild does not recommend exceeding them or designing to Absolute Maximum Ratings.

| Symbol | Parameter | | Min. | Max. | Unit |
|---------------|--------------------------------------|-----------------------|------|----------|------|
| V_{CC} | Supply Voltage | FSA4157 | 1.65 | 5.50 | V |
| | | FSA4157A | 2.7 | 5.5 | |
| V_{CNTRL} | Control Input Voltage ⁽²⁾ | | 0 | V_{CC} | V |
| V_{SW} | Switch Input Voltage | | 0 | V_{CC} | V |
| T_A | Operating Temperature | | -40 | +85 | °C |
| θ_{JA} | Thermal Resistance in Still Air | SC70 | | 350 | °C/W |
| | | MicroPak™ (Estimated) | | 330 | |

Note:

- Control input must be held HIGH or LOW and it must not float.

DC Electrical Characteristics

Typical values are at 25°C unless otherwise specified.

| Symbol | Parameter | Conditions | V _{CC} (V) | Ambient Temperature | | | | | Unit |
|--|--|--|---------------------|---------------------|------|------|--------------|------|------|
| | | | | -25° | | | -40 to +85°C | | |
| | | | | Min. | Typ. | Max. | Min. | Max. | |
| V _{IH} | Input Voltage High | FSA4157 Only | 1.8 to 2.7 | | | | 1.0 | | V |
| | | | 2.7 to 3.6 | | | | 2.0 | | |
| | | | 4.5 to 5.5 | | | | 2.4 | | |
| V _{IL} | Input Voltage Low | FSA4157 Only | 1.8 to 2.7 | | | | | 0.4 | V |
| | | FSA4157A Only | 2.7 to 3.6 | | | | | 0.4 | |
| | | | 2.7 to 3.6 | | | | | 0.6 | |
| | | | 4.5 to 5.5 | | | | | 0.8 | |
| I _{IN} | Control Input Leakage | V _{IN} =0 V to V _{CC} | 2.7 to 3.6 | | | | -1.0 | 1.0 | μA |
| | | | 4.5 to 5.5 | | | | -1.0 | 1.0 | |
| I _{NO(OFF)} , I _{NC(OFF)} | Off Leakage Current of Port B0 and B1 | A=1 V, 4.5 V, B ₀ or B ₁ =4.5, 1 V | 5.5 | | ±2 | | -20 | 20 | nA |
| I _{A(ON)} | On Leakage Current of Port A | A=1 V, 4.5V, B ₀ or B ₁ =4.5, 1 V, 4.5 V or Floating | 5.5 | | ±4 | | -40 | 40 | nA |
| R _{ON} | Switch On Resistance | I _{OUT} =100 mA, B ₀ or B ₁ =1.5 V | 2.7 | | 2.6 | 4.0 | | 4.3 | Ω |
| | | I _{OUT} =100mA, B ₀ or B ₁ =3.5V | 4.5 | | 0.95 | 1.15 | | 1.30 | |
| ΔR _{ON} | On Resistance Matching Between Channels ⁽⁴⁾ | I _{OUT} =100 mA, B ₀ or B ₁ =1.5 V | 4.5 | | 0.06 | 0.12 | | 0.15 | Ω |
| R _{FLAT(ON)} | On Resistance Flatness ⁽⁴⁾ | I _{OUT} =100 mA, B ₀ or B ₁ =0 V, 0.75 V, 1.5 V | 2.7 | | 1.4 | | | | Ω |
| | | I _{OUT} =100 mA, B ₀ or B ₁ =0 V, 1 V, 2 V | 4.5 | | 0.2 | 0.3 | | 0.4 | |
| I _{CC} | Quiescent Supply Current | V _{IN} =0 V or V _{CC} , I _{OUT} =0 V | 3.6 | | 0.1 | 0.5 | | 1.0 | μA |
| | | | 5.5 | | 0.1 | 0.5 | | 1.0 | |
| ΔI _{CC} | Increase in I _{CC} per Input | One Input at 2.7 V, others at V _{CC} or GND (FSA4157A Only) | 4.3 | | 0.2 | | | 10.0 | μA |

Notes:

- Measured by the voltage drop between the A and B pins at the indicated current through the switch. On resistance is determined by the lower of the voltage on the two (A or B ports).
- ΔR_{ON} = R_{ON max} – R_{ON min} measured at identical V_{CC}, temperature, and voltage.
- Flatness is defined as the difference between the maximum and minimum value of on resistance over the specified range of conditions.

AC Electrical Characteristics

Typical values are at 25°C unless otherwise specified.

| Symbol | Parameter | Conditions | V _{CC} (V) | Ambient Temperature | | | | | Unit | Figure |
|------------------|---------------------------|--|---------------------|---------------------|-------|------|--------------|------|-----------|----------|
| | | | | -25° | | | -40 to +85°C | | | |
| | | | | Min. | Typ. | Max. | Min. | Max. | | |
| t _{ON} | Turn-On Time | B ₀ or B ₁ =1.5 V, R _L =50 Ω , C _L =35 pF (FSA4157A Only) | 2.7 to 3.6 | | | 60 | | 65 | ns | Figure 8 |
| | | B ₀ or B ₁ =1.5 V, R _L =50 Ω , C _L =35pF | 2.7 to 3.6 | | | 50 | | 60 | | |
| | | B ₀ or B ₁ =1.5 V, R _L =50 Ω , C _L =35pF | 4.5 to 5.5 | | | 35 | | 40 | | |
| t _{OFF} | Turn-Off Time | B ₀ or B ₁ =1.5 V, R _L =50 Ω , C _L =35 pF | 2.7 to 3.6 | | | 20 | | 30 | ns | Figure 8 |
| | | B ₀ or B ₁ =1.5 V, R _L =50 Ω , C _L =35 pF | 4.5 to 5.5 | | | 15 | | 20 | | |
| t _{BBM} | Break-Before-Make Time | FSA4157 | 2.7 to 3.6 | | | | | | ns | Figure 9 |
| | | | 4.5 to 5.5 | | 20 | | | | | |
| | | FSA4157A Only | 4.5 to 5.5 | | 25 | | | | | |
| Q | Charge Injection | C _L =1.0 nF, V _{GE} =0 V, R _{GEN} =0 Ω | 2.7 to 3.6 | | 10 | | | pC | Figure 11 | |
| | | | 4.5 to 5.5 | | 20 | | | | | |
| OIRR | Off Isolation | f=1 MHz, R _L =50 Ω | 2.7 to 3.6 | | -70 | | | dB | Figure 10 | |
| | | | 4.5 to 5.5 | | -70 | | | | | |
| Xtalk | Crosstalk | f=1 MHz, R _L =50 Ω | 2.7 to 3.6 | | -70 | | | dB | Figure 10 | |
| | | | 4.5 to 5.5 | | -70 | | | | | |
| BW | -3db Bandwidth | R _L =50 Ω | 2.7 to 3.6 | | | 300 | | MHz | Figure 13 | |
| | | | 4.5 to 5.5 | | | 300 | | | | |
| THD | Total Harmonic Distortion | R _L =600 Ω , V _{IN} =0.5, f=20 Hz to 20 kHz | 2.7 to 3.6 | | 0.002 | | | % | Figure 14 | |
| | | | 4.5 to 5.5 | | 0.002 | | | | | |

Capacitance

| Symbol | Parameter | Conditions | V _{CC} (V) | Ambient Temperature | | | Unit | Figure |
|------------------|-------------------------------|------------|---------------------|---------------------|------|------|------|-----------|
| | | | | -25° | | | | |
| | | | | Min. | Typ. | Max. | | |
| C _{IN} | Control Pin Input Capacitance | f=1 MHz | 0 | | 3.5 | | pF | Figure 12 |
| C _{OFF} | B Port Off Capacitance | f=1 MHz | 4.5 | | 12.0 | | pF | Figure 12 |
| C _{ON} | On Capacitance | f=1 MHz | 4.5 | | 40.0 | | pF | Figure 12 |

Typical Performance Characteristics

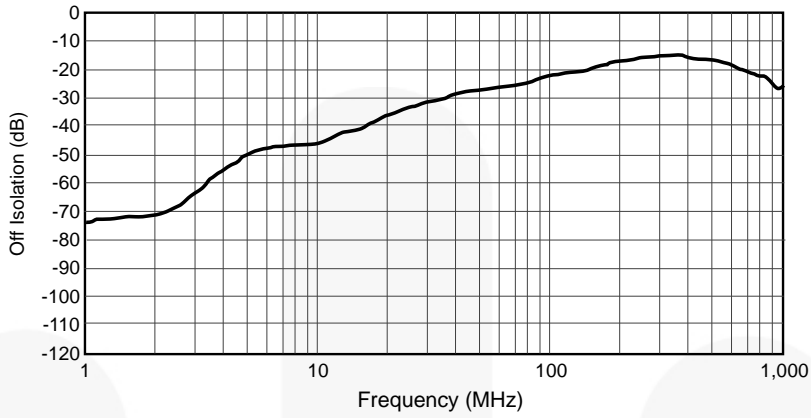


Figure 3. Off Isolation, $V_{CC} = 2.7\text{ V to }5.5\text{ V}$

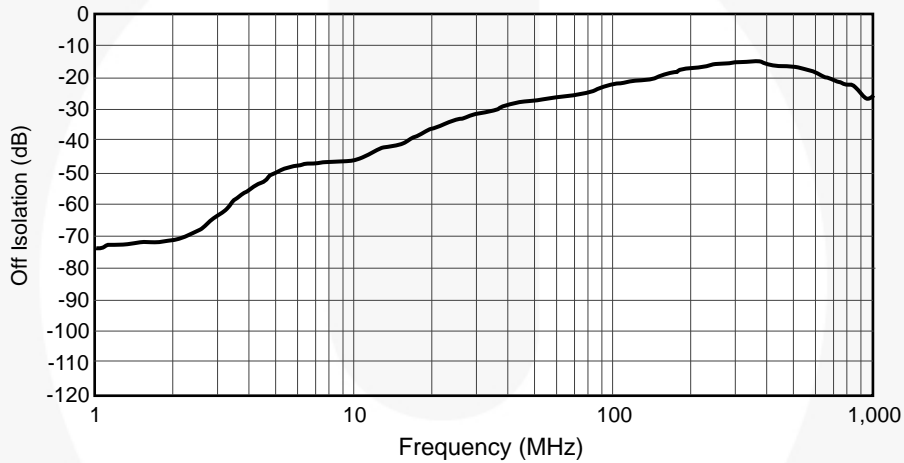


Figure 4. Crosstalk, $V_{CC} = 2.7\text{ V to }5.5\text{ V}$

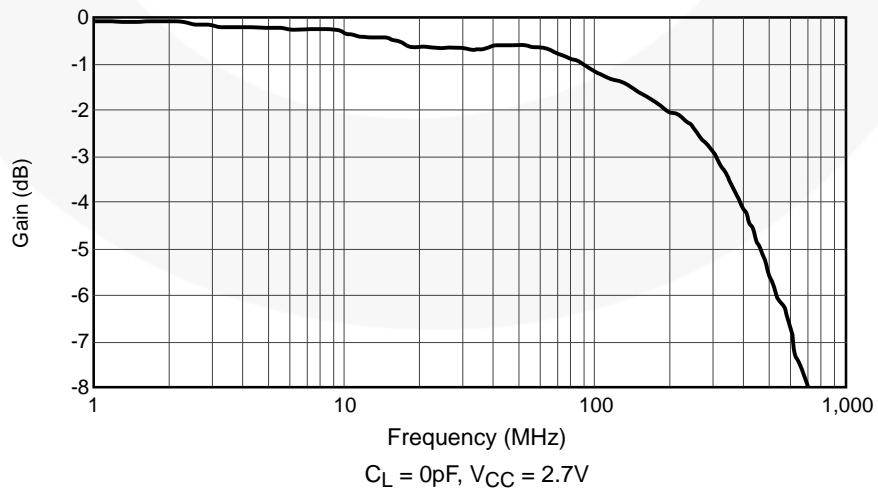


Figure 5. Bandwidth, $V_{CC} = 2.7\text{ V to }5.5\text{ V}$

Typical Performance Characteristics (Continued)

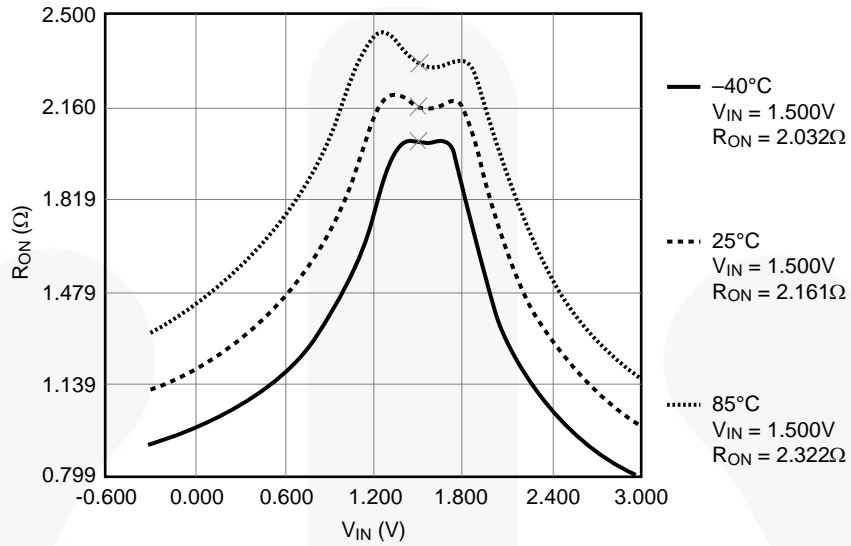


Figure 6. R_{ON} Switch On Resistance, $I_{ON} = 100$ mA, $V_{CC} = 2.7$

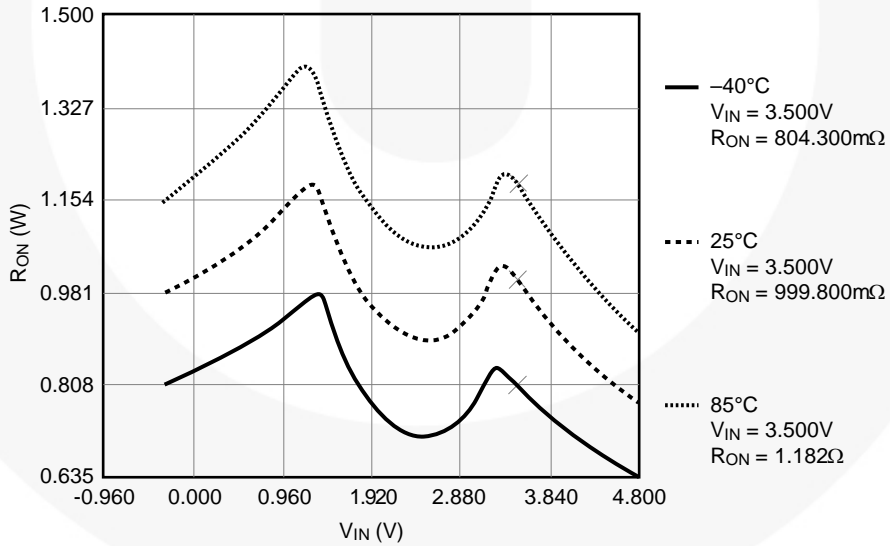


Figure 7. R_{ON} Switch On Resistance, $I_{ON} = 100$ mA, $V_{CC} = 4.5$ V

AC Loadings and Waveforms

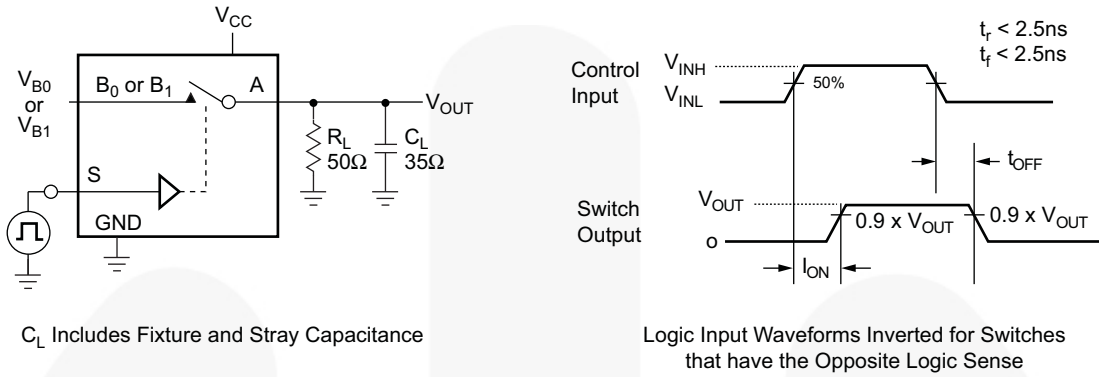


Figure 8. Turn On / Off Timing

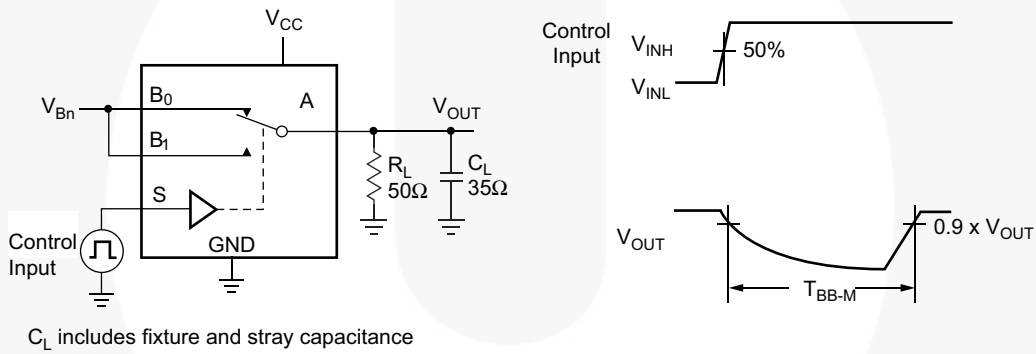


Figure 9. Break Before Make Timing

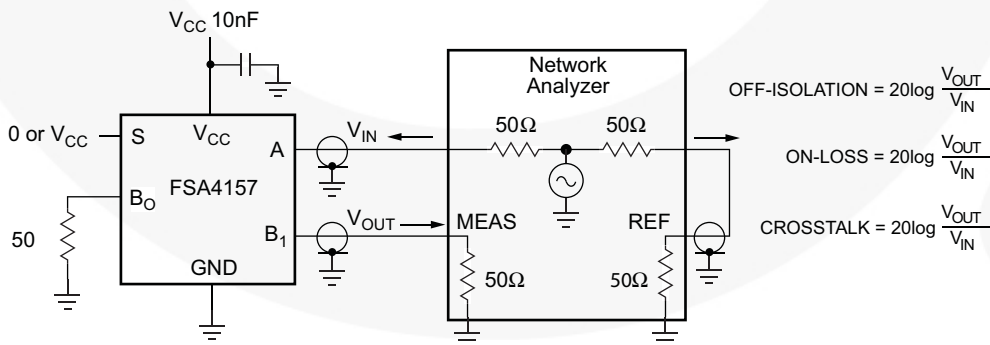


Figure 10. Off Isolation and Crosstalk

AC Loadings and Waveforms (Continued)

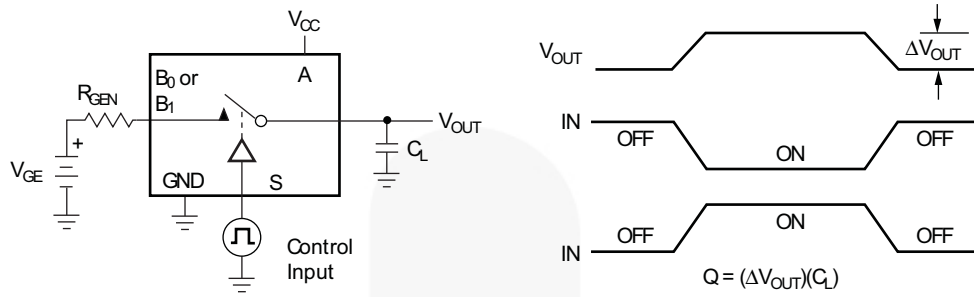


Figure 11. Charge Injection

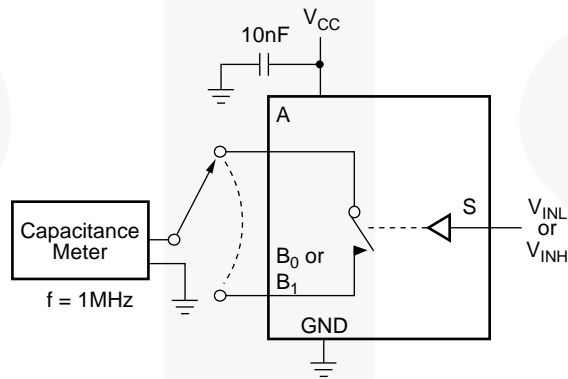


Figure 12. On / Off Capacitance Measurement Setup

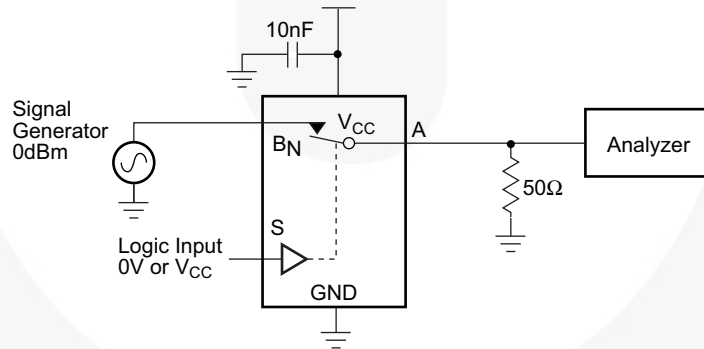


Figure 13. Bandwidth

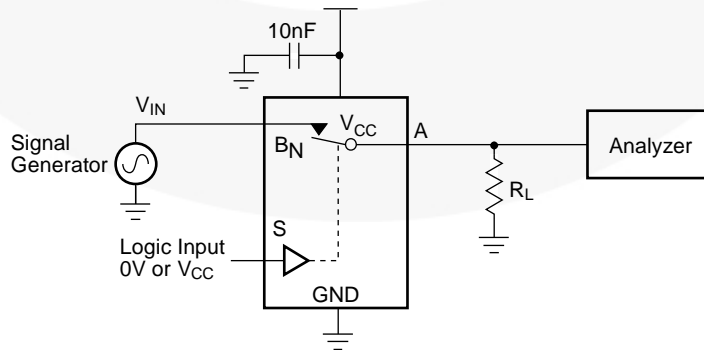
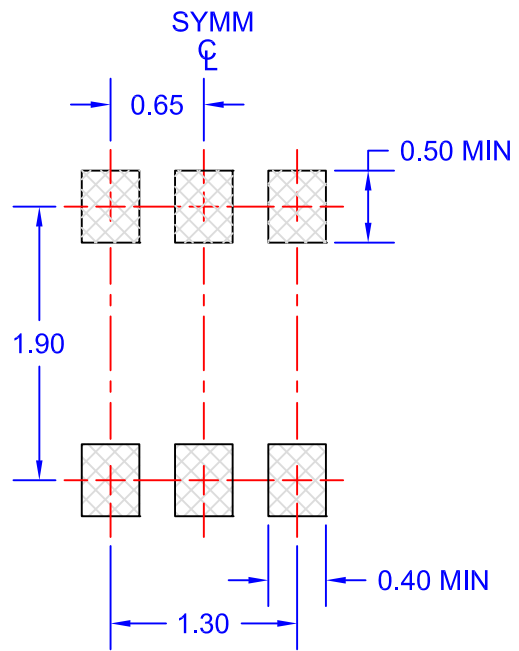
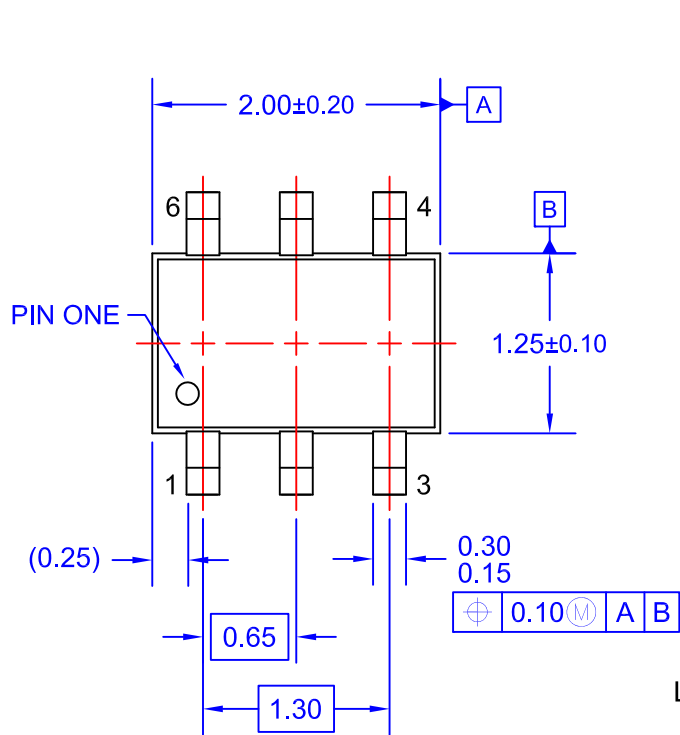
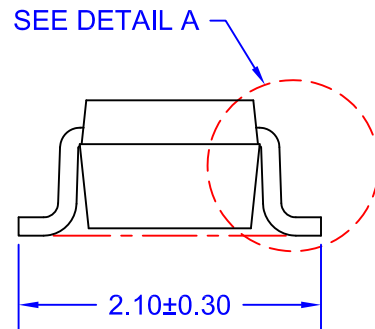
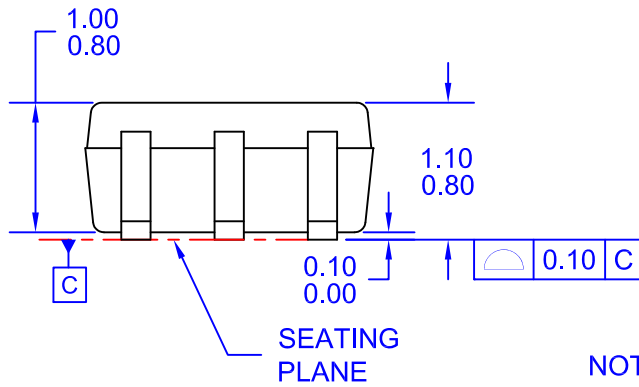


Figure 14. Harmonic Distortion



LAND PATTERN RECOMMENDATION

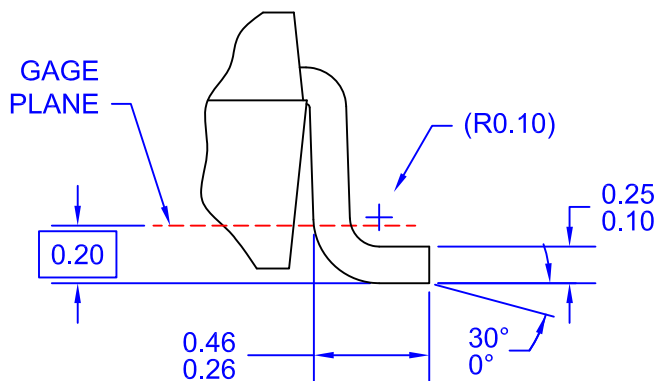


NOTES: UNLESS OTHERWISE SPECIFIED
 A) THIS PACKAGE CONFORMS TO EIAJ SC-88, 1996.

B) ALL DIMENSIONS ARE IN MILLIMETERS.
 C) DIMENSIONS DO NOT INCLUDE BURRS OR MOLD FLASH.

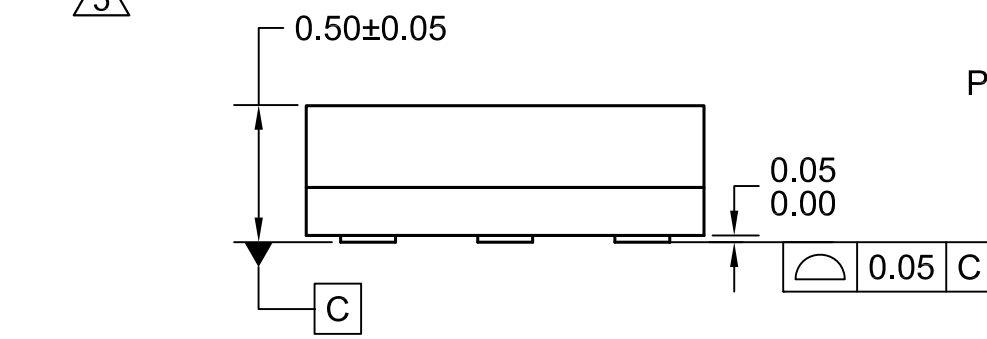
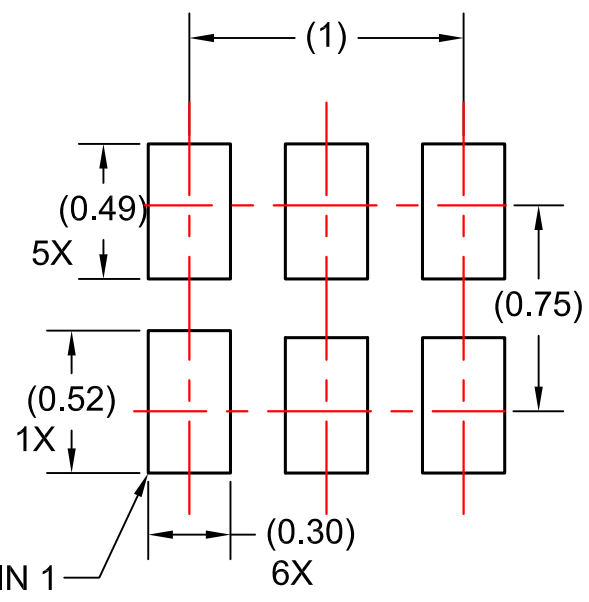
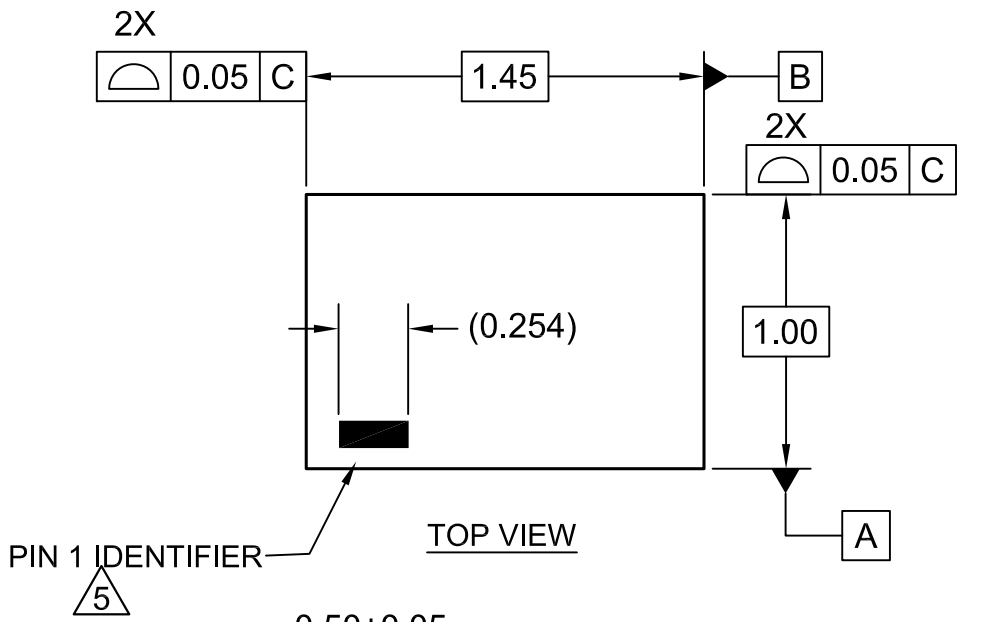
D) DIMENSIONING AND TOLERANCING PER ASME Y14.5M-2009

E) DRAWING FILENAME: MKT-MAA06AREV7

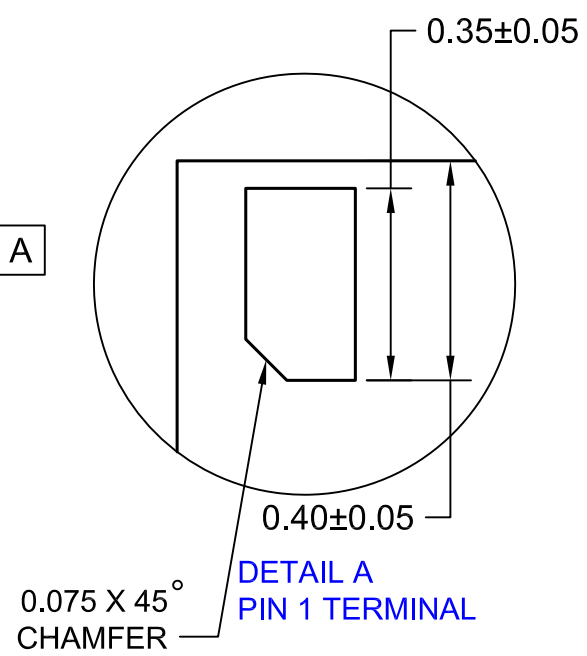
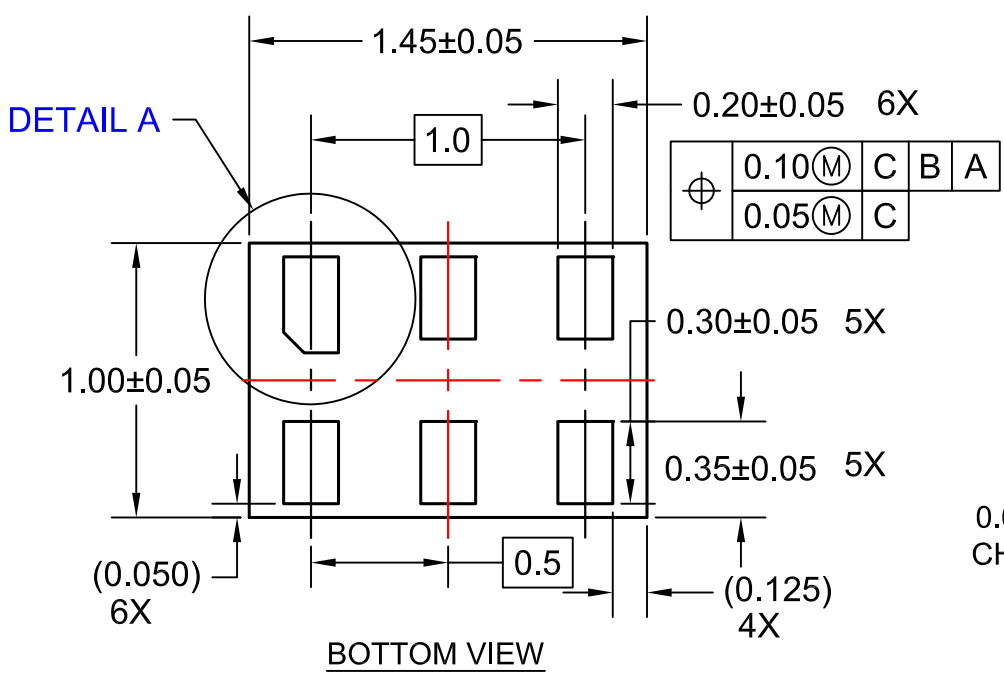


DETAIL A
 SCALE: 60X





RECOMMENDED LAND PATTERN



NOTES:

1. CONFORMS TO JEDEC STANDARD MO-252 VARIATION UAAD
2. DIMENSIONS ARE IN MILLIMETERS
3. DRAWING CONFORMS TO ASME Y14.5M-2009
4. LANDPATTERN RECOMMENDATION PER FSC
5. PIN ONE IDENTIFIER IS 2X LENGTH OF ANY OTHER LINE IN THE MARK CODE LAYOUT.
6. FILENAME AND REVISION: MAC06AREV6





TRADEMARKS

The following includes registered and unregistered trademarks and service marks, owned by Fairchild Semiconductor and/or its global subsidiaries, and is not intended to be an exhaustive list of all such trademarks.

AccuPower™
AttitudeEngine™
Awinda®
AX-CAP®*
BitSiC™
Build it Now™
CorePLUS™
CorePOWER™
CROSSVOL™
CTL™
Current Transfer Logic™
DEUXPEED®
Dual Cool™
EcoSPARK®
EfficientMax™
ESBC™
F®
Fairchild®
Fairchild Semiconductor®
FACT Quiet Series™
FACT®
FastvCore™
FETBench™
FPS™

F-PFS™
FRFET®
Global Power Resource™
GreenBridge™
Green FPS™
Green FPS™ e-Series™
Gmax™
GTO™
IntelliMAX™
ISOPLANAR™
Making Small Speakers Sound Louder and Better™
MegaBuck™
MICROCOUPLER™
MicroFET™
MicroPak™
MicroPak2™
MillerDrive™
MotionMax™
MotionGrid®
MTi®
MTx®
MVN®
mWSaver®
OptoHiT™
OPTOLOGIC®

OPTOPLANAR®
Power Supply WebDesigner™
PowerTrench®
PowerXS™
Programmable Active Droop™
QFET®
QS™
Quiet Series™
RapidConfigure™
Saving our world, 1mW/W/kW at a time™
SignalWise™
SmartMax™
SMART START™
Solutions for Your Success™
SPM®
STEALTH™
SuperFET®
SuperSOT™-3
SuperSOT™-6
SuperSOT™-8
SupreMOS®
SyncFET™
Sync-Lock™

SYSTEM GENERAL®
TinyBoost®
TinyBuck®
TinyCalc™
TinyLogic®
TINYOPTO™
TinyPower™
TinyPWM™
TinyWire™
TranSiC™
TriFault Detect™
TRUECURRENT®*
µSerDes™
SerDes®
UHC®
Ultra FRFET™
UniFET™
VCX™
VisualMax™
VoltagePlus™
XS™
Xsens™
仙童®

* Trademarks of System General Corporation, used under license by Fairchild Semiconductor.

DISCLAIMER

FAIRCHILD SEMICONDUCTOR RESERVES THE RIGHT TO MAKE CHANGES WITHOUT FURTHER NOTICE TO ANY PRODUCTS HEREIN TO IMPROVE RELIABILITY, FUNCTION, OR DESIGN. TO OBTAIN THE LATEST, MOST UP-TO-DATE DATASHEET AND PRODUCT INFORMATION, VISIT OUR WEBSITE AT [HTTP://WWW.FAIRCHILDSEMI.COM](http://www.fairchildsemi.com). FAIRCHILD DOES NOT ASSUME ANY LIABILITY ARISING OUT OF THE APPLICATION OR USE OF ANY PRODUCT OR CIRCUIT DESCRIBED HEREIN; NEITHER DOES IT CONVEY ANY LICENSE UNDER ITS PATENT RIGHTS, NOR THE RIGHTS OF OTHERS. THESE SPECIFICATIONS DO NOT EXPAND THE TERMS OF FAIRCHILD'S WORLDWIDE TERMS AND CONDITIONS, SPECIFICALLY THE WARRANTY THEREIN, WHICH COVERS THESE PRODUCTS.

AUTHORIZED USE

Unless otherwise specified in this data sheet, this product is a standard commercial product and is not intended for use in applications that require extraordinary levels of quality and reliability. This product may not be used in the following applications, unless specifically approved in writing by a Fairchild officer: (1) automotive or other transportation, (2) military/aerospace, (3) any safety critical application – including life critical medical equipment – where the failure of the Fairchild product reasonably would be expected to result in personal injury, death or property damage. Customer's use of this product is subject to agreement of this Authorized Use policy. In the event of an unauthorized use of Fairchild's product, Fairchild accepts no liability in the event of product failure. In other respects, this product shall be subject to Fairchild's Worldwide Terms and Conditions of Sale, unless a separate agreement has been signed by both Parties.

ANTI-COUNTERFEITING POLICY

Fairchild Semiconductor Corporation's Anti-Counterfeiting Policy. Fairchild's Anti-Counterfeiting Policy is also stated on our external website, www.fairchildsemi.com, under Terms of Use

Counterfeiting of semiconductor parts is a growing problem in the industry. All manufacturers of semiconductor products are experiencing counterfeiting of their parts. Customers who inadvertently purchase counterfeit parts experience many problems such as loss of brand reputation, substandard performance, failed applications, and increased cost of production and manufacturing delays. Fairchild is taking strong measures to protect ourselves and our customers from the proliferation of counterfeit parts. Fairchild strongly encourages customers to purchase Fairchild parts either directly from Fairchild or from Authorized Fairchild Distributors who are listed by country on our web page cited above. Products customers buy either from Fairchild directly or from Authorized Fairchild Distributors are genuine parts, have full traceability, meet Fairchild's quality standards for handling and storage and provide access to Fairchild's full range of up-to-date technical and product information. Fairchild and our Authorized Distributors will stand behind all warranties and will appropriately address any warranty issues that may arise. Fairchild will not provide any warranty coverage or other assistance for parts bought from Unauthorized Sources. Fairchild is committed to combat this global problem and encourage our customers to do their part in stopping this practice by buying direct or from authorized distributors.

PRODUCT STATUS DEFINITIONS

Definition of Terms

| Datasheet Identification | Product Status | Definition |
|--------------------------|-----------------------|---|
| Advance Information | Formative / In Design | Datasheet contains the design specifications for product development. Specifications may change in any manner without notice. |
| Preliminary | First Production | Datasheet contains preliminary data; supplementary data will be published at a later date. Fairchild Semiconductor reserves the right to make changes at any time without notice to improve design. |
| No Identification Needed | Full Production | Datasheet contains final specifications. Fairchild Semiconductor reserves the right to make changes at any time without notice to improve the design. |
| Obsolete | Not In Production | Datasheet contains specifications on a product that is discontinued by Fairchild Semiconductor. The datasheet is for reference information only. |