

PLEASE CHECK WWW.MOLEX.COM FOR LATEST PART INFORMATION

Part Number: **0443000400**
Status: **Active**
Overview: Micro-Fit 3.0™ Connectors
Description: Micro-Fit BMI™ Plug Housing, Dual Row, Panel Mount, 4 Circuits

Documents:

3D Model RoHS Certificate of Compliance (PDF)
Drawing (PDF) Product Literature (PDF)
Product Specification PS-44300-001 (PDF)

Agency Certification

CSA LR19980
 UL E29179

General

Product Family Crimp Housings
 Series 44300
 Application Power, Wire-to-Board, Wire-to-Wire
 MolexKits Yes
 Overview Micro-Fit 3.0™ Connectors
 Product Literature Order No 987650-5984
 Product Name Micro-Fit BMI™
 UPC 800753281912

Physical

Circuits (maximum) 4
 Color - Resin Black
 Flammability 94V-0
 Gender Male
 Glow-Wire Compliant No
 Lock to Mating Part No
 Material - Resin Polyester
 Net Weight 2.077/g
 Number of Rows 2
 Packaging Type Bag
 Panel Mount Yes
 Pitch - Mating Interface 3.00mm
 Polarized to Mating Part Yes
 Stackable No
 Temperature Range - Operating -40°C to +105°C

Electrical

Current - Maximum per Contact 5.0A

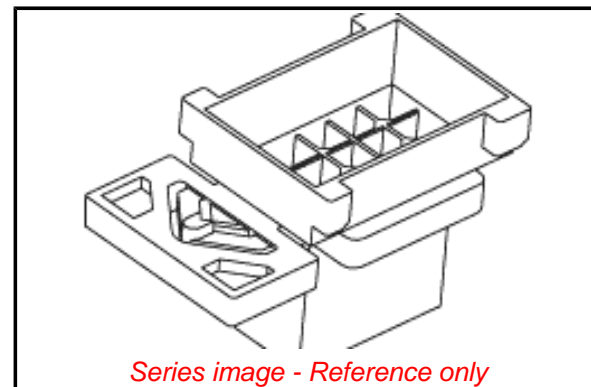
Solder Process Data

Lead-freeProcess Capability N/A

Material Info

Reference - Drawing Numbers

Product Specification PS-44300-001
 Sales Drawing SD-44300-001



Series image - Reference only

EU ELV

Not Relevant

EU RoHS

Compliant

REACH SVHC

Not Contained Per -
 ED/21/2016 (20 June
 2016)

Halogen-Free

Status

Not Low-Halogen

**Need more information on product
 environmental compliance?**

Email productcompliance@molex.com
 Please visit the [Contact Us](#) section for any
 non-product compliance questions.

China ROHS

ELV

Green Image

Not Relevant

Search Parts in this Series

44300 Series

Mates With

44133 , 44764 , 44769

Use With

43031 Micro-Fit 3.0™ Male Crimp Terminals