

PLEASE CHECK WWW.MOLEX.COM FOR LATEST PART INFORMATION

Part Number: **0008701031**
Status: **Active**
Overview: SPOX™ BMI Connector System
Description: SPOX™ Crimp Terminal 5194, 18-24 AWG, Brass, Reel

Documents:

Drawing (PDF)	Product Specification PS-5196-004 (PDF)
Product Specification PS-5096-003 (PDF)	Product Specification PS-5196-005 (PDF)
Product Specification PS-5195-001 (PDF)	Product Specification PS-5197-001 (PDF)
Product Specification PS-5195-002 (PDF)	Product Specification PS-5197-003 (PDF)
Product Specification PS-5195-003 (PDF)	Product Specification PS-5197-004 (PDF)
Product Specification PS-5195-009 (PDF)	Product Specification PS-5273-003 (PDF)
Product Specification PS-5195-010 (PDF)	Product Specification PS-5273-004 (PDF)
Product Specification PS-5195-011 (PDF)	RoHS Certificate of Compliance (PDF)
Product Specification PS-5196-001 (PDF)	

Agency Certification

CSA LR19980

General

Product Family Crimp Terminals
Series 5194
Application Signal
Crimp Quality Equipment Yes
Overview SPOX™ BMI Connector System
Packaging Alternative 08-70-1030 (Loose)
Product Name SPOX™
UPC 800753534896

Physical

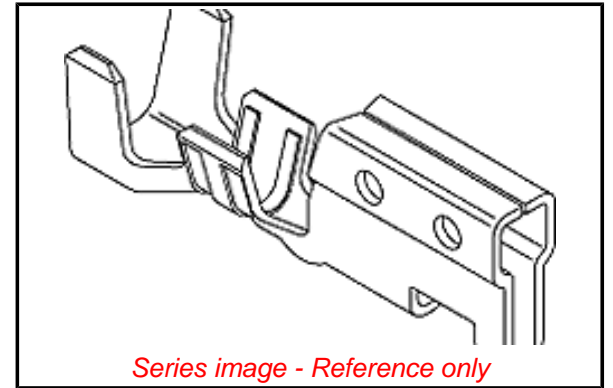
Gender Female
Material - Metal Brass
Material - Plating Mating Tin
Material - Plating Termination Tin
Net Weight 185.000/mg
Packaging Type Reel
Plating min - Mating 0.889µm
Plating min - Termination 0.889µm
Termination Interface: Style Crimp or Compression
Wire Insulation Diameter 1.30-3.20mm
Wire Size AWG 18, 20, 22, 24
Wire Size mm² N/A

Material Info

Old Part Number 5194T

Reference - Drawing Numbers

Crimp Specification CS-5194, CS-5194(S)
Product Specification PS-5096-003, PS-5195-001, PS-5195-002, PS-5195-003, PS-5195-009, PS-5195-010, PS-5195-011, PS-5196-001, PS-5196-004, PS-5196-005, PS-5197-001, PS-5197-003, PS-5197-004, PS-5273-003, PS-5273-004, RPS-5197-001
Sales Drawing SD-5194-001



Series image - Reference only

EU ELV

Not Relevant

EU RoHS

Compliant

REACH SVHC

Not Contained Per - ED/21/2016 (20 June 2016)

Halogen-Free

Status

Low-Halogen

Need more information on product environmental compliance?

Email productcompliance@molex.com
Please visit the [Contact Us](#) section for any non-product compliance questions.

China ROHS

ELV

Green Image

Not Relevant

Search Parts in this Series

5194 Series

Use With

5195 , 5196 , 5197 , 5198 , 5199

Application Tooling | FAQ

Tooling specifications and manuals are found by selecting the products below. Crimp Height Specifications are then contained in the Application Tooling Specification document.

Global

Description

Product #

FineAdjust™ Applicator for 3.96mm Pitch Crimp Terminal, 18-24 AWG Wire	0639005300
Hand Crimp Tool for Crimp Terminals	0638116500

Extraction Tool	<u>0638132700</u>
T2 Terminator	<u>0639105300</u>
Tooling Die for Crimp Terminal, 18-24 AWG Wire	
Japan	
Description	Product #
Hand Extraction Tool	<u>0011260100</u>
Applicator for M211A	<u>0011260028</u>
Bench Press, 18-28 AWG Wire	

This document was generated on 07/11/2016

PLEASE CHECK WWW.MOLEX.COM FOR LATEST PART INFORMATION