

PLEASE CHECK WWW.MOLEX.COM FOR LATEST PART INFORMATION

Part Number: **0559591430**
Status: **Active**
Overview: MicroClasp™ Wire-to-Board System
Description: 2.00mm Pitch MicroClasp™ Wire-to-Board Header, Dual Row, Right Angle, 14 Circuits

Documents:

3D Model	Product Specification PS-51353-010 (PDF)
Drawing (PDF)	Packaging Specification SPK-55959-001 (PDF)
Product Specification 513530000 (PDF)	RoHS Certificate of Compliance (PDF)
Product Specification PS-51353-003 (PDF)	

Agency Certification

UL E29179

General

Product Family	PCB Headers
Series	55959
Application	Signal, Wire-to-Board
MolexKits	Yes
Overview	MicroClasp™ Wire-to-Board System
Product Name	MicroClasp™
UPC	756054218358

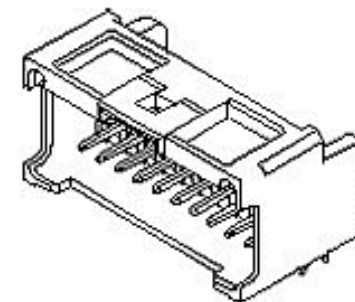
Physical

Breakaway	No
Circuits (Loaded)	14
Circuits (maximum)	14
Color - Resin	Natural
Durability (mating cycles max)	30
First Mate / Last Break	No
Glow-Wire Compliant	No
Guide to Mating Part	No
Keying to Mating Part	None
Lock to Mating Part	Yes
Material - Plating Mating	Tin
Material - Plating Termination	Tin
Material - Resin	Polyester
Net Weight	1900.700/mg
Number of Rows	2
Orientation	Right Angle
PC Tail Length	3.20mm
PCB Locator	No
PCB Retention	Yes
PCB Thickness - Recommended	1.60mm
Packaging Type	Tray
Pitch - Mating Interface	2.00mm
Shrouded	Fully
Stackable	No
Surface Mount Compatible (SMC)	No
Temperature Range - Operating	-25°C to +85°C
Termination Interface: Style	Through Hole

Electrical

Current - Maximum per Contact	3.0A
Voltage - Maximum	250V

Material Info



Series image - Reference only

EU ELV

Not Relevant

EU RoHS

Compliant

REACH SVHC

Not Contained Per -
ED/21/2016 (20 June
2016)

Halogen-Free

Status

Not Low-Halogen

**Need more information on product
environmental compliance?**

Email productcompliance@molex.com
Please visit the [Contact Us](#) section for any
non-product compliance questions.

China ROHS

ELV

Green Image

Not Relevant

Search Parts in this Series

[55959 Series](#)

Mates With

[51353 MicroClasp™ Wire-to-Board
Receptacle Housing](#)

Reference - Drawing Numbers

Packaging Specification

Product Specification

SPK-55959-001

513530000, PS-51353-003, PS-51353-010,
RPS-51353-005, RPS-51353-008, RPS-51353-009,
RPS-51353-010, RPS-51353-014, RPS-51353-017,
RPS-51353-019, RPS-51353-020, RPS-51353-021,
RPS-51353-022, RPS-51353-023, RPS-51353-024,
RPS-51353-025, RPS-51353-026, RPS-51353-028,
RPS-51353-030, RPS-51353-034, RPS-51353-036,
RPS-51353-037

Sales Drawing

SD-55959-001, SD-55959-003

This document was generated on 08/19/2016

PLEASE CHECK WWW.MOLEX.COM FOR LATEST PART INFORMATION