

**PLEASE CHECK WWW.MOLEX.COM FOR LATEST PART INFORMATION**

**Part Number:** [0019092099](#)  
**Status:** **Active**  
**Overview:** Standard .093" Pin and Socket Connectors  
**Description:** 2.36mm Diameter Standard .093" Pin and Socket Plug Housing with Positive Latch, UL 94V-2, without Panel Mount, 9 Circuits

**Documents:**

[3D Model](#) [Product Specification PS-02-09 \(PDF\)](#)  
[Drawing \(PDF\)](#) [RoHS Certificate of Compliance \(PDF\)](#)

**Agency Certification**

CSA LR19980  
 UL E29179

**General**

Product Family Crimp Housings  
 Series [3191](#)  
 Application Power, Wire-to-Wire  
 Comments Polarized to Mating Part  
 Overview [Standard .093" Pin and Socket Connectors](#)  
 Product Name Standard .093"  
 UPC 800753690257

**Physical**

Breakaway No  
 Circuits (maximum) 9  
 Circuits Detail 3x4  
 Color - Resin Natural  
 Flammability 94V-2  
 Gender Plug  
 Glow-Wire Compliant No  
 Keying to Mating Part None  
 Lock to Mating Part Yes  
 Material - Resin Nylon  
 Net Weight 9.000/g  
 Number of Rows 3  
 Packaging Type Bag  
 Panel Mount No  
 Pitch - Mating Interface 6.70mm  
 Polarized to Mating Part Yes  
 Stackable No  
 Temperature Range - Operating -40°C to +105°C

**Electrical**

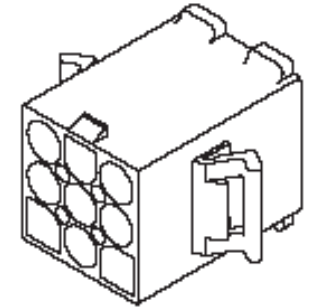
Current - Maximum per Contact 8.0A

**Material Info**

Old Part Number 3191-9P1

**Reference - Drawing Numbers**

Product Specification PS-02-09  
 Sales Drawing SD-3191-9\*



*Series image - Reference only*

**EU ELV**

**Not Relevant**

**EU RoHS**

**Not Relevant**

**REACH SVHC**

Not Relevant

**Halogen-Free**

**Status**

**Not Relevant**

**Need more information on product environmental compliance?**

Email [productcompliance@molex.com](mailto:productcompliance@molex.com)  
 Please visit the [Contact Us](#) section for any non-product compliance questions.

China ROHS

Not Relevant

ELV

Not Relevant

**Search Parts in this Series**

[3191 Series](#)

**Mates With**

[19-09-1096](#) , [19-09-1099](#)

**Use With**

Female Crimp Terminals [1189](#) , [1381](#) , [1433](#) , [2151](#) , [2273](#) , [2871](#) , Male Crimp Terminals [1190](#) , [1380](#) , [1434](#) , [1973](#) , [2870](#) , [4272](#) , Female PC Tail Terminals [2605](#) , Male PC Tail Terminals [2606](#)