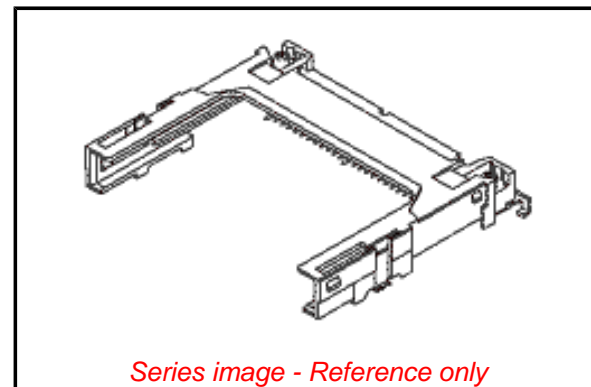


**PLEASE CHECK WWW.MOLEX.COM FOR LATEST PART INFORMATION**

**Part Number:** [0553585029](#)  
**Status:** **Active**  
**Overview:** [CompactFlash™](#)  
**Description:** 1.27mm Pitch CF Card Header- Right Angle, Surface Mount Top Mounting for Type I and II Cards

**Documents:**

<a href="#">3D Model</a>	<a href="#">Product Specification PS-55546-005 (PDF)</a>
<a href="#">Drawing (PDF)</a>	<a href="#">Product Specification PS-55546-006 (PDF)</a>
<a href="#">Product Specification PS-55358-012 (PDF)</a>	<a href="#">Packaging Specification SPK-55358-001 (PDF)</a>
<a href="#">Product Specification PS-55358-013 (PDF)</a>	<a href="#">RoHS Certificate of Compliance (PDF)</a>



**Agency Certification**

UL E29179

**General**

Product Family	Memory Card Sockets
Series	<a href="#">55358</a>
Overview	<a href="#">CompactFlash™</a>
Product Name	CompactFlash
Style	Guide and Holder
UPC	822348180691

**Physical**

Card Detection Switch	N/A
Card Entry Location	Front
Circuits (Loaded)	50
Durability (mating cycles max)	10000
Ejector Button Side	N/A
Flammability	94V-0
Material - Metal	Phosphor Bronze
Material - Plating Mating	Gold over Nickel
Material - Plating Termination	Tin
Net Weight	3780.078/mg
PCB Retention	Yes
Packaging Type	Tray
Pitch - Mating Interface	1.27mm
Temperature Range - Operating	-20°C to +90°C
Termination Interface: Style	Surface Mount

**Electrical**

Current - Maximum per Contact	0.5A
Voltage - Maximum	100V AC (RMS)
Voltage Key	3.3V, 5.0V

**Material Info**

**Reference - Drawing Numbers**

Packaging Specification	SPK-55358-001
Product Specification	PS-55358-012, PS-55358-013, PS-55546-005, PS-55546-006
Sales Drawing	SD-55358-014

**EU ELV**

**Not Relevant**

**EU RoHS**

**Compliant**

**REACH SVHC**

Not Contained Per - ED/21/2016 (20 June 2016)

**Halogen-Free**

**Status**

**Low-Halogen**

**Need more information on product environmental compliance?**

Email [productcompliance@molex.com](mailto:productcompliance@molex.com)  
Please visit the [Contact Us](#) section for any non-product compliance questions.

China ROHS

ELV

**China RoHS**

Green Image

Not Relevant

**Search Parts in this Series**

[55358](#) Series

**Mates With**

[67003](#) , [67114](#) , Industry Standard CF Card

**Use With**

[55356](#) Ejector, [55364](#) Ejector