

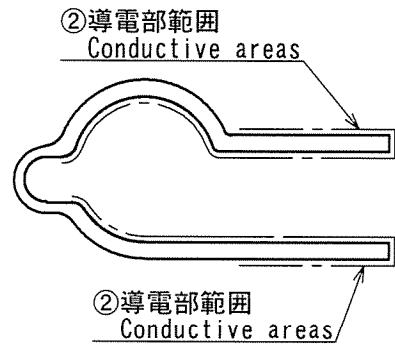
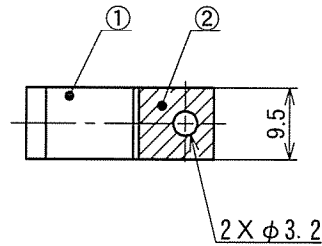
TOLERANCE		
OVER	UNDER	
	6	±0.3
6	18	±0.4
18	30	±0.5
30	50	±0.6
50	80	±0.8
80	120	±1.0
120	250	±1.2

注記

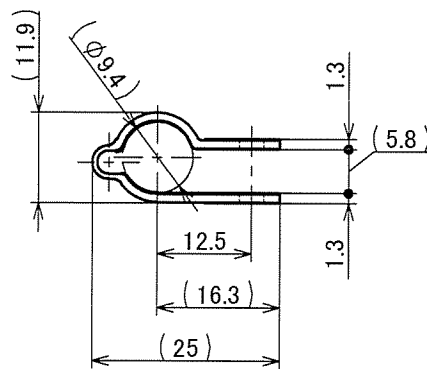
- 1) 主用途  
電線の固定及びグラウンディング
- 2) 部材構成  
①本体  
材料 : PA66 (色調:ライトグレー)  
UL燃焼クラス : 94V-0  
②導電部  
材料 : 銅 (t0.03mm)
- 3) 仕様  
適応ねじ : 呼び径 3mm  
適応束線径 : φ8.2 ~ 9.0mm
- 4) 本図面は図番08008951の改定図面である。

Notes

- 1) Main application  
Clamping and grounding for cable
- 2) Components  
①Body  
Material : PA66 (Color:Light gray)  
UL flame class : 94V-0  
②Conductive area  
Material : Copper (t0.03mm)
- 3) Specification  
Applicable screw : Nominal diameter 3mm  
Applicable wire diameter : φ8.2 ~ 9.0mm
- 4) This drawing is a revision of the drawing number 08008951.



参考図/REFERENCE FIGURE



REVISION	DATE	DESCRIPTION	DRAWN	APPROVED																																											
<table border="1" style="width: 100%;"> <tr> <td colspan="2">KITAGAWA INDUSTRIES CO.,LTD.</td> <td>SIZE</td> <td>A4</td> <td rowspan="2">NAME</td> <td rowspan="2">FG CLAMP FGクランプ</td> </tr> <tr> <td colspan="2"></td> <td>PROJECTION METHOD</td> <td></td> </tr> <tr> <td>APPROVED</td> <td>CHECKED</td> <td>CHECKED</td> <td>DRAWN</td> <td>DESIGNED</td> <td rowspan="2">PART No.</td> </tr> <tr> <td>12.8.30</td> <td>12.8.28</td> <td>12.8.27</td> <td>12.8.27</td> <td>91.3.23</td> <td>FGC-8</td> </tr> <tr> <td colspan="5"> <table border="1" style="width: 100%;"> <tr> <td>瀬戸</td> <td>柳瀬</td> <td>青山</td> <td>天田</td> <td>伊藤</td> <td>SCALE</td> <td>UNIT</td> <td rowspan="2">DRAWING No.</td> <td rowspan="2">DA0035A-0A</td> </tr> <tr> <td></td> <td></td> <td></td> <td></td> <td></td> <td>1:1</td> <td>mm</td> </tr> </table> </td> </tr> </table>					KITAGAWA INDUSTRIES CO.,LTD.		SIZE	A4	NAME	FG CLAMP FGクランプ			PROJECTION METHOD		APPROVED	CHECKED	CHECKED	DRAWN	DESIGNED	PART No.	12.8.30	12.8.28	12.8.27	12.8.27	91.3.23	FGC-8	<table border="1" style="width: 100%;"> <tr> <td>瀬戸</td> <td>柳瀬</td> <td>青山</td> <td>天田</td> <td>伊藤</td> <td>SCALE</td> <td>UNIT</td> <td rowspan="2">DRAWING No.</td> <td rowspan="2">DA0035A-0A</td> </tr> <tr> <td></td> <td></td> <td></td> <td></td> <td></td> <td>1:1</td> <td>mm</td> </tr> </table>					瀬戸	柳瀬	青山	天田	伊藤	SCALE	UNIT	DRAWING No.	DA0035A-0A						1:1	mm
KITAGAWA INDUSTRIES CO.,LTD.		SIZE	A4	NAME	FG CLAMP FGクランプ																																										
		PROJECTION METHOD																																													
APPROVED	CHECKED	CHECKED	DRAWN	DESIGNED	PART No.																																										
12.8.30	12.8.28	12.8.27	12.8.27	91.3.23		FGC-8																																									
<table border="1" style="width: 100%;"> <tr> <td>瀬戸</td> <td>柳瀬</td> <td>青山</td> <td>天田</td> <td>伊藤</td> <td>SCALE</td> <td>UNIT</td> <td rowspan="2">DRAWING No.</td> <td rowspan="2">DA0035A-0A</td> </tr> <tr> <td></td> <td></td> <td></td> <td></td> <td></td> <td>1:1</td> <td>mm</td> </tr> </table>					瀬戸	柳瀬	青山	天田	伊藤	SCALE	UNIT	DRAWING No.	DA0035A-0A						1:1	mm																											
瀬戸	柳瀬	青山	天田	伊藤	SCALE	UNIT	DRAWING No.	DA0035A-0A																																							
					1:1	mm																																									