

AV600 Powerline Wi-Fi Kit

TL-WPA4226 KIT

⦿ Features:

- HomePlug AV standard provides up to 600Mbps high speed data transmission over a home's existing electrical wiring, ideal for lag-free HD or 3D video streaming and online gaming
- Extend 300Mbps wireless connections to previously hard-to-reach areas of your home and office
- Wi-Fi Clone Button simplifies your Wi-Fi configuration and helps build a seamless unified home network
- Integrated power socket ensures no power outlet is going to waste
- Two Ethernet ports allow your TVs, game consoles, or PCs connect to the Internet
- Easy-to-install, just plug and play
- 128-bit AES encryption easily at a push of "Pair" Button
- Up to 300-meter range over the household power circuit
- Supports IGMP managed multicast IP transmission, optimizing IPTV streaming



⦿ Description:

TP-LINK's TL-WPA4226 KIT AV600 Powerline Wi-Fi Kit extends your Internet connection to every room of the house through your home's existing electrical circuitry. The TL-WPA4220 features a Wi-Fi Clone Button which can automatically extend your router's wireless signal, making it easy to realize seamless roaming within your home network. What's more, TL-PA4020P has an integrated power socket, which allows an additional device or power bar to be connected to the adapter as though it were a normal wall socket.

⊙ Specifications:

Hardware Features	
Standards and Protocols	HomePlug AV, IEEE802.3, IEEE802.3u, IEEE802.11b/g/n, IEEE1901
Interface	10/100Mbps Ethernet ports
Plug Type	EU, UK
Button	Pair, Reset, Wi-Fi/Wi-Fi Clone
LED Indicator	PWR, PLC, ETH, Wi-Fi/Wi-Fi Clone
Dimensions (W x D x H)	3.7 x 2.1 x 1.6 in. (94 x 54 x 40mm) 3.7 x 2.3 x 1.7 in. (95 x 58 x 42 mm)
Power Consumption	<6W
Range	300 meters over electrical circuit
Software Features	
Modulation Technology	OFDM (PLC)
Encryption	Powerline Security: 128-bit AES
	Wireless Security: WEP, WPA/WPA2, WPA-PSK/WPA2-PSK encryption
Others	
Certifications	CE, RoHS
System Requirements	Windows 10/8.1/8/7/Vista/XP, Mac OS X, Linux-based operating system
Environment	Operating Temperature: 0°C~40°C (32°F~104°F)
	Storage Temperature: -40°C~70°C (-40°F~158°F)
	Operating Humidity: 10%~90% non-condensing Storage Humidity: 5%~90% non-condensing

* Utility currently supports Windows 10/8.1/8/7.

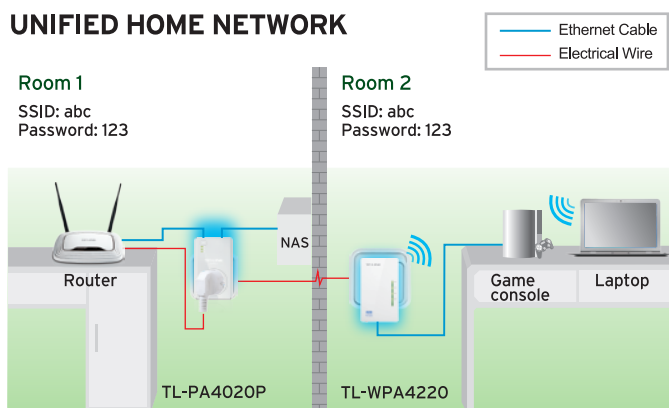
⊙ Diagram:

PLUG & PLAY WITH TP-LINK WI-FI CLONE!



- > Plug in TL-WPA4220 near your router.
 - > Press the Wi-Fi Clone button on TL-WPA4220.
 - > Press the WPS button on the router.
- That's it! Now TL-WPA4220 has copied your router's SSID and password and you can enjoy a unified home network!

UNIFIED HOME NETWORK



*The powerline adapters need to be connected in the same electrical circuit.

Package:

- AV600 Powerline Wi-Fi Kit
- TL-WPA4220 & TL-PA4020P
- 2-Meter RJ-45 Ethernet Cable * 2

- Quick Installation Guide