



RSF100 Series

External mount miniature vertical switch



- External mount via compression seal
- Compact design with small diameter float
- WRAS approved versions available

Technical Specification

| Material | Nylon | Polypropylene | Polypropylene | Polyphenylene Sulphide |
|----------------|-----------|---------------|---------------|------------------------|
| | | WRAS approved | UL approved | WRAS/UL |
| Colour | Black | Opaque | White | Grey |
| Temp. Range °C | -20 / +75 | -20 / +100 | -20 / +100 | -10 / +120* |
| °F | -4 / +167 | -4 / +212 | -4 / +212 | +14 / +248* |
| Min. Fluid SG | ?? | ?? | ?? | ?? |

* Maximum temperature requires ETFE cable to be specified.

Electrical Specification

| | | 25W (Y code) | 100W (H code) |
|--------------------------|----|--------------|---------------|
| Contact Form | | N/O (N/C) | N/O (N/C) |
| Switching Power Max | VA | 25 | 100 |
| Switching Voltage AC Max | V | 240 | 300 |
| Switching Voltage DC Max | V | 120 | 300 |
| Switching Current Max | A | 0.6 | 1 |

All ratings are for resistive load only.

A compact vertically mounted design with a single switch point.

Mounting is in the top or bottom of a tank via a compression seal, so does not require access to the inside of the tank for fitting

Standard versions are 25VA and high power versions are available with 100VA switching capacity.

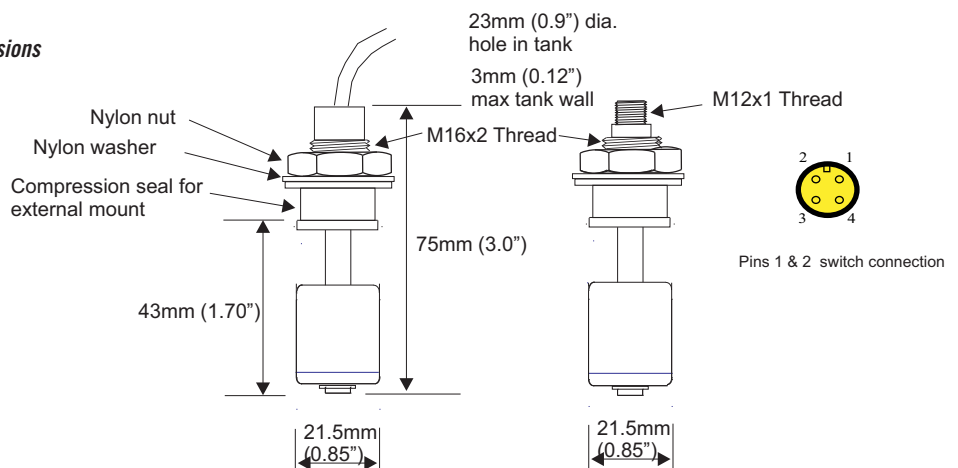
Available in flying lead of M12 connector versions.

Cables are available for use with M12 connection versions.

| Standard Parts | Material | Max Power | Leadouts | Gasket |
|----------------|------------------------|-----------|------------------------|---------|
| RSF103Y100JN | Nylon | 25VA | 100cm PVC 2 core 7/0.2 | Nitrile |
| RSF103H100JN | Nylon | 100VA | 100cm PVC 2 core 7/0.2 | Nitrile |
| RSF104Y100JN | Polypropylene | 25VA | 100cm PVC 2 core 7/0.2 | Nitrile |
| RSF104H100JN | Polypropylene | 100VA | 100cm PVC 2 core 7/0.2 | Nitrile |
| RSF106Y100JN | Polyphenylene Sulphide | 25VA | 100cm PVC 2 core 7/0.2 | Nitrile |
| RSF106Y050TV | Polyphenylene Sulphide | 25VA | 50cm PTFE 2 core 7/0.2 | Viton |
| RSF106H100JN | Polyphenylene Sulphide | 100VA | 100cm PVC 2 core 7/0.2 | Nitrile |
| RSF106H050TV | Polyphenylene Sulphide | 100VA | 50cm PTFE 2 core 7/0.2 | Viton |
| RSF108Y100JN | Polypropylene | 25VA | 100cm PVC 2 core 7/0.2 | Nitrile |
| RSF108H100JN | Polypropylene | 100VA | 100cm PVC 2 core 7/0.2 | Nitrile |
| RSF103YNP | Nylon | 25VA | M12 Connector | Nitrile |
| RSF103HNP | Nylon | 100VA | M12 Connector | Nitrile |
| RSF104YNP | Polypropylene | 25VA | M12 Connector | Nitrile |
| RSF104HNP | Polypropylene | 100VA | M12 Connector | Nitrile |
| RSF106YNP | Polyphenylene Sulphide | 25VA | M12 Connector | Nitrile |
| RSF106HNP | Polyphenylene Sulphide | 100VA | M12 Connector | Nitrile |
| RSF108YNP | Polypropylene | 25VA | M12 Connector | Nitrile |
| RSF108HNP | Polypropylene | 100VA | M12 Connector | Nitrile |

Custom versions can be made for particular applications. Please contact Cynergy3 with your requirements.

Mechanical Dimensions



Cynergy3 Components Ltd.
 7 Cobham Road
 Ferndown Industrial Estate
 Wimborne, Dorset BH21 7PE
 Telephone +44 (0) 1202 897969

Email: sales@cynergy3.com

ISO9001 CERTIFIED

www.cynergy3.com