



S8(UL) Series

UL Approved* Miniature High Voltage Relay

- Space saving package
- Up to 350V switching voltage
- Isolation Voltage 7kV contact to coil
- 2.5A carry current
- Isolation Voltage across contacts 4kV or 5kV (dependant on coil voltage)



The S8(UL) series is a miniature high voltage reed relay for applications where space saving is a prime consideration.

The coil pins are positioned near the centre of the relay while the contact pins are near the ends to give improved isolation between the High Voltage contacts and the low voltage coil.

Contact Specification	Conditions	5V coil	12V coil	24V coil
Switch action			SPST (Form A)	
Material			Rhodium	
Isolation across contacts	kV DC or AC peak	4	4	5
Switching Power Max.	VA		100	
Switching Voltage Max.	V		350dc/300ac	
Switching Current Max.	A DC or AC peak		1.0	
Carry Current Max	A DC		2.5	
Capacitance across contacts	pF coil to screen grounded		0.5 (typical)	
Lifetime operations	dry switching		10 ⁹	
	100W switching		10 ⁷	
Contact Resistance	mΩ max		150	
Insulation Resistance	Ωmin (typical)		10 ¹⁰ (10 ¹³)	

Coil Specification				
Must Operate Voltage	V DC	4	9.6	19
Must Release Voltage	V DC	1	2	3
Operate Time	ms diode fitted	1	1	1
Release Time	ms diode fitted	0.5	0.5	0.5
Resistance	Ω	120	750	1550

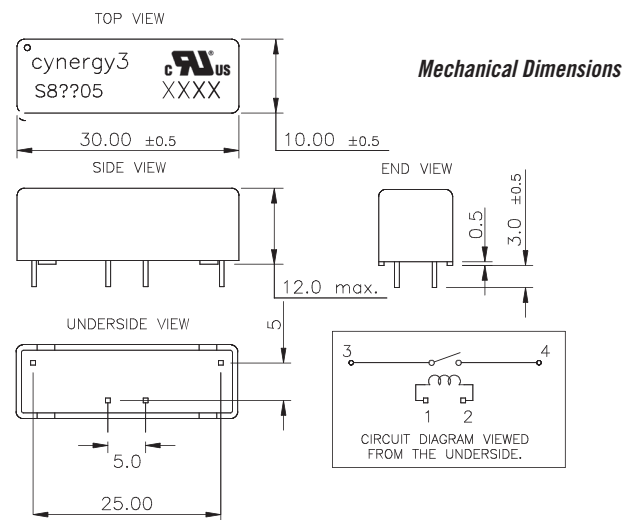
Relay Specification				
Isolation contact/coil	kV		7	
Insulation resistance contact to all terminals	Ωmin (typical)		TBC	

Environmental				
Operating Temp range	°C		-40 to +85	
Storage Temp range	°C		-40 to +125	

Standard Parts	Coil Volts Vdc	Isolation across contacts kV	Max. Switching Voltage Vdc (Vac peak)	
S8-0504U	5	4	350 (300)	
S8-1204U	12	4	350 (300)	
S8-2405U	24	5	350 (300)	

Custom versions can be designed for particular applications. Please contact Cynergy3 with your requirements.

***Consult factory for UL ratings**



Cynergy3 Components Ltd.
7 Cobham Road
Ferndown Industrial Estate
Wimborne, Dorset BH21 7PE
telephone +44 (0) 1202 897969
Email:sales@cynergy3.com

ISO9001 CERTIFIED

S8(UL) Series 2016

© 2016 Cynergy3 Components, All Rights Reserved. Specifications are subject to change without prior notice. Cynergy3 Components and the Cynergy3 Components logo are trademarks of Cynergy3 Components Limited.

www.cynergy3.com