

**PLEASE CHECK WWW.MOLEX.COM FOR LATEST PART INFORMATION**

**Part Number:** [0533750210](#)  
**Status:** **Active**  
**Overview:** Mini-Lock™ Wire-to-Board Connector System  
**Description:** 2.50mm Pitch Mini-Lock™ Wire-to-Board Header, Vertical, Friction and Positive Lock, 2 Circuits

**Documents:**

[3D Model](#) [RoHS Certificate of Compliance \(PDF\)](#)  
[Drawing \(PDF\)](#)

**Agency Certification**

CSA LR19980  
 UL E29179

**General**

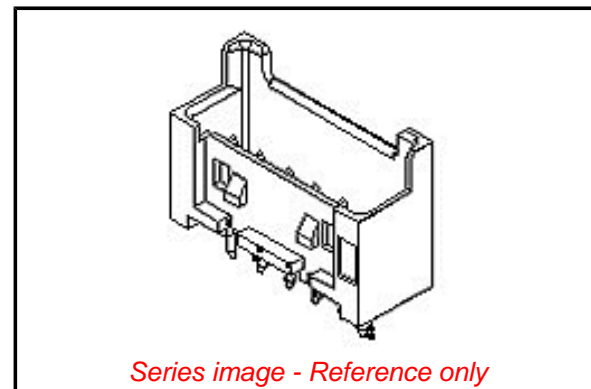
Product Family PCB Headers  
 Series 53375  
 Application Signal, Wire-to-Board  
 MolexKits Yes  
 Overview [Mini-Lock™ Wire-to-Board Connector System](#)  
 Product Name Mini-Lock™  
 UPC 800754318679

**Physical**

Breakaway No  
 Circuits (Loaded) 2  
 Circuits (maximum) 2  
 Color - Resin Natural  
 Durability (mating cycles max) 30  
 First Mate / Last Break No  
 Flammability 94V-0  
 Glow-Wire Compliant No  
 Guide to Mating Part No  
 Keying to Mating Part None  
 Lock to Mating Part Yes  
 Material - Plating Mating Tin  
 Material - Plating Termination Tin  
 Material - Resin Polyester  
 Net Weight 378.000/mg  
 Number of Rows 1  
 Orientation Vertical  
 PC Tail Length 3.40mm  
 PCB Locator Yes  
 PCB Retention Yes  
 PCB Thickness - Recommended 1.60mm  
 Packaging Type Bag  
 Pitch - Mating Interface 2.50mm  
 Polarized to PCB Yes  
 Shrouded Fully  
 Stackable No  
 Surface Mount Compatible (SMC) No  
 Temperature Range - Operating -40°C to +105°C  
 Termination Interface: Style Through Hole

**Electrical**

Current - Maximum per Contact 3.0A  
 Voltage - Maximum 250V



Series image - Reference only

**EU ELV**

**Not Relevant**

**EU RoHS**

**Compliant**

**REACH SVHC**

Not Contained Per -  
 ED/21/2016 (20 June  
 2016)

**Halogen-Free**

**Status**

**Not Low-Halogen**

**Need more information on product  
 environmental compliance?**

Email [productcompliance@molex.com](mailto:productcompliance@molex.com)  
 Please visit the [Contact Us](#) section for any  
 non-product compliance questions.

China ROHS

ELV

Green Image

Not Relevant

**Search Parts in this Series**

[53375 Series](#)

**Mates With**

Mini-Lock™ Wire-to-Board and Wire-to-Wire  
 Crimp Terminal 51103 , 51102 , 51163

**Material Info**

**Reference - Drawing Numbers**

Sales Drawing

SD-53375-001

This document was generated on 07/12/2016

**PLEASE CHECK [WWW.MOLEX.COM](http://WWW.MOLEX.COM) FOR LATEST PART INFORMATION**