

**PLEASE CHECK WWW.MOLEX.COM FOR LATEST PART INFORMATION**

**Part Number:** [0539275019](#)  
**Status:** **Active**  
**Overview:** [CompactFlash™](#)  
**Description:** 1.27mm Pitch CF Card Header - Right Angle, Surface Mount Reverse Mounting For Type I Cards, Tray Packaging

**Documents:**

[3D Model](#) [Product Specification PS-55022-004 \(PDF\)](#)  
[Drawing \(PDF\)](#) [RoHS Certificate of Compliance \(PDF\)](#)

**General**

Product Family Memory Card Sockets  
 Series [53927](#)  
 Material - Contact Copper Alloy  
 Overview [CompactFlash™](#)  
 Product Name CompactFlash  
 Style Guide and Holder  
 UPC 822348186747

**Physical**

Card Detection Switch N/A  
 Card Entry Location Front  
 Circuits (Loaded) 50  
 Color - Resin Natural  
 Durability (mating cycles max) 10000  
 Ejector Button Side N/A  
 Material - Plating Mating Gold over Palladium Nickel  
 Material - Resin High Temperature Thermoplastic  
 Net Weight 3292.000/mg  
 PCB Retention Yes  
 Packaging Type Tray  
 Pitch - Mating Interface 1.27mm  
 Temperature Range - Operating -20°C to +90°C  
 Termination Interface: Style Surface Mount

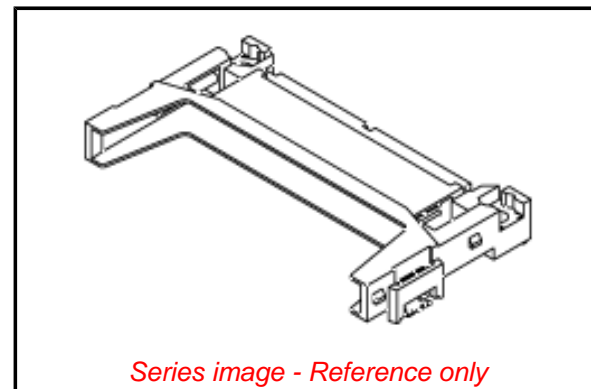
**Electrical**

Current - Maximum per Contact 0.5A  
 Voltage - Maximum 100V AC (RMS)  
 Voltage Key 3.3V, 5.0V

**Material Info**

**Reference - Drawing Numbers**

Product Specification PS-55022-004  
 Sales Drawing SD-53927-001



**EU ELV**

**Not Relevant**

**EU RoHS**

**Compliant**

**REACH SVHC**

Not Contained Per -  
 ED/21/2016 (20 June  
 2016)

**Halogen-Free**

**Status**

**Low-Halogen**

**Need more information on product  
 environmental compliance?**

Email [productcompliance@molex.com](mailto:productcompliance@molex.com)  
 Please visit the [Contact Us](#) section for any  
 non-product compliance questions.

China ROHS  
 ELV

Green Image  
 Not Relevant

**Search Parts in this Series**

[53927](#) Series

**Mates With**

[67003](#) , [67114](#) , Industry Standard CF Card

**Use With**

[55021](#) , [55022](#)