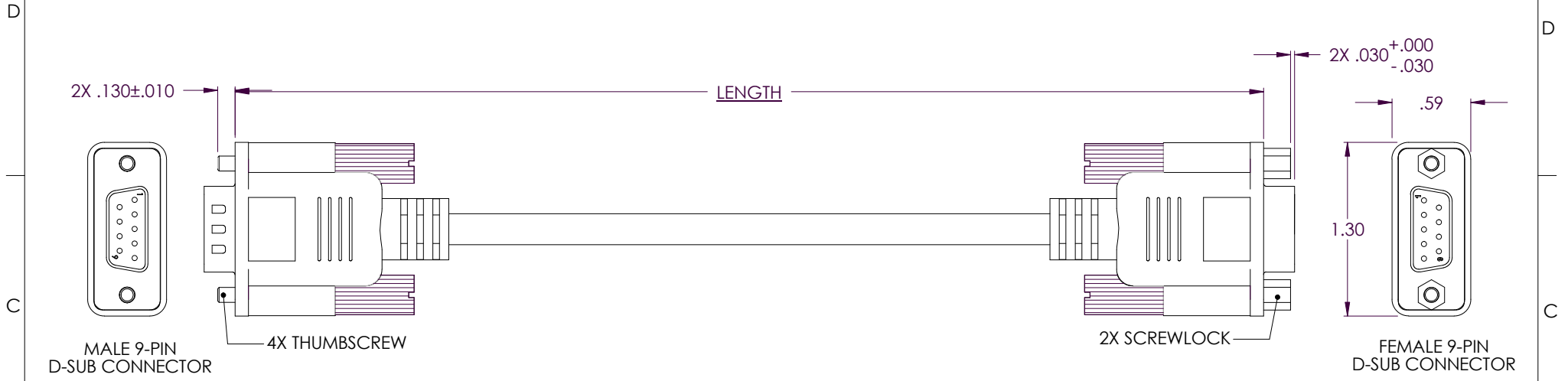


THE INFORMATION CONTAINED IN THIS DRAWING IS THE SOLE PROPERTY OF L-COM, INC. ANY REPRODUCTION IN PART OR WHOLE WITHOUT THE WRITTEN PERMISSION OF L-COM, INC. IS PROHIBITED.

REVISIONS			
REV	DESCRIPTION	DATE	APPROVED
C	CHANGED COLOR OF CONNECTOR INSULATORS TO BLACK (ECN# 1334)	3/21/03	T CLARK
D	ECN1966: 500 VAC WAS 1500VAC	2/2/05	DHP
E	ECN 2116: ADDED [2] ADDITIONAL THUMBSCREWS	6/30/05	J. KIEZULAS
F	ECN 2194: CHANGED NOTES FOR INSPECTION SHEET AND CABLE SPEC	9/7/05	J. KIEZULAS



**SPECIFICATIONS:**

**WIRING:** STRAIGHT THROUGH, PIN TO PIN, ALL PINS.

**SHIELD:** DRAIN WIRE TIED TO CONNECTOR SHELLS

**ELECTRICAL:**

VOLTAGE RATING: 30V  
DIELECTRIC STRENGTH: 500VAC

**MATERIALS:**

**CONNECTORS:**

INSULATORS: THERMOPLASTIC, UL 94V-0, BLACK  
CONTACTS: COPPER ALLOY, GOLD OVER NICKEL  
SHELLS: STEEL, TIN PLATED

HOOD MOLDINGS: PVC, LIGHT GRAY

INTERNAL SHIELD: (360°) STEEL BOX SHIELD OVER PRE-MOLD  
SOLDERED TO D-SUB SHELL

CABLE: U.L. STYLE 2919 9 CONDUCTORS 26 AWG STRANDED TINNED COPPER  
OVERALL SHIELD: ALUMINIZED POLYESTER WITH DRAIN WIRE (100%) PLUS  
TINNED COPPER BRAID SHIELD

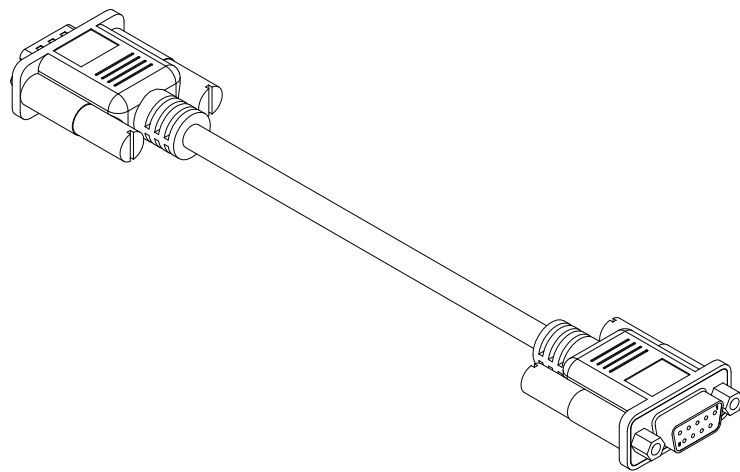
JACKET: PVC, LIGHT GRAY

HARDWARE: 4-40 THREAD, STEEL OR BRASS, NICKEL PLATED

CABLE CONTAINS TWO ADDITIONAL MALE THUMBSCREWS PACKAGED  
IN A SEPARATE BAG AND INSTRUCTION SHEET [CS2N-INS](#)

(REFERENCE L-COM CABLE SPECIFICATION [CS2N-LCS](#))

MODEL NUMBER	LENGTH	
	(FEET)	(METERS)
CS2N9MF-2.5	2.5	0.76
CS2N9MF-5	5.0	1.52
CS2N9MF-6	6.0	1.83
CS2N9MF-10	10.0	3.05
CS2N9MF-12	12.0	3.66
CS2N9MF-15	15.0	4.57
CS2N9MF-25	25.0	7.62
CS2N9MF-50	50.0	15.24



UNLESS OTHERWISE SPECIFIED,  
DIMENSIONS ARE IN INCHES  
TOLERANCES ARE:  
X ±.1  
XX ±.05  
XXX ±.005  
CABLE LENGTH TOLERANCE  
≤300" ±5% >300" ±2%

APPROVALS	DATE
DRAWN BY TJC	9/27/01
CHECKED BY DFF	9/28/01
APPROVED BY RC	10/4/01

CONFIGURATION DETAILS OF  
UNDIMENSIONED FEATURES  
MAY VARY

**L-com**  
CONNECTIVITY PRODUCTS

45 BEECHWOOD DRIVE  
NORTH ANDOVER, MA  
01845

PRODUCT DESCRIPTION  
**PREMIUM MOLDED CABLE ASSEMBLY**

DRAWING TITLE  
**OUTLINE DRAWING**

SIZE <b>A</b>	FSCM NO. <b>43321</b>	DWG. NO. <b>CS2N9MF-2.5-OD1</b>	REV. <b>F</b>
------------------	--------------------------	------------------------------------	------------------

SCALE: NONE CAD FILE: CS2N9MF-2.5-OD1.SLDDRW SHEET 1 OF 1