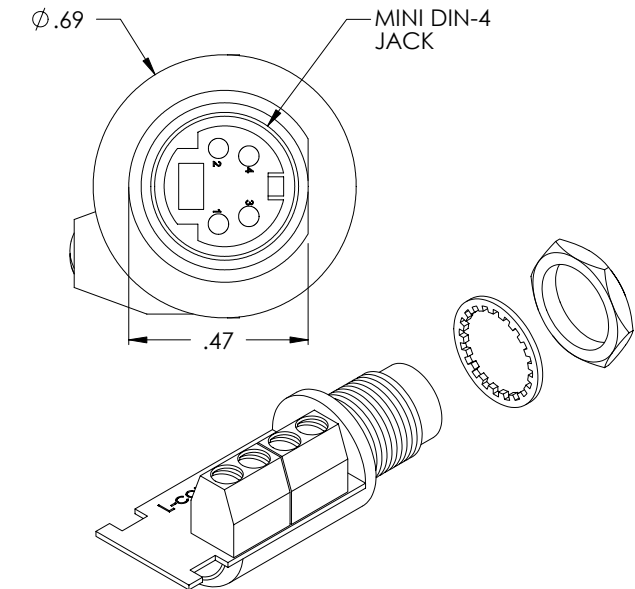
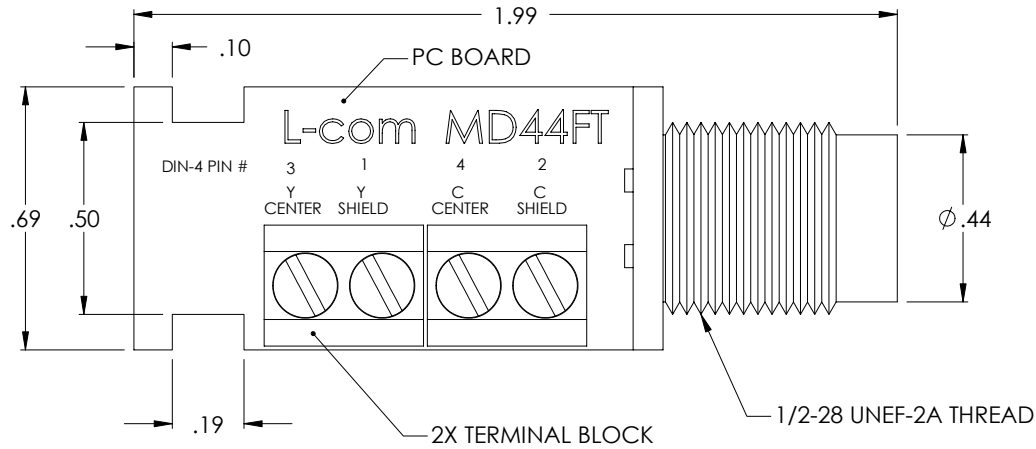
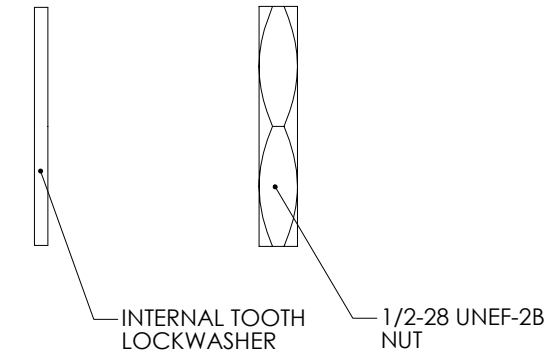
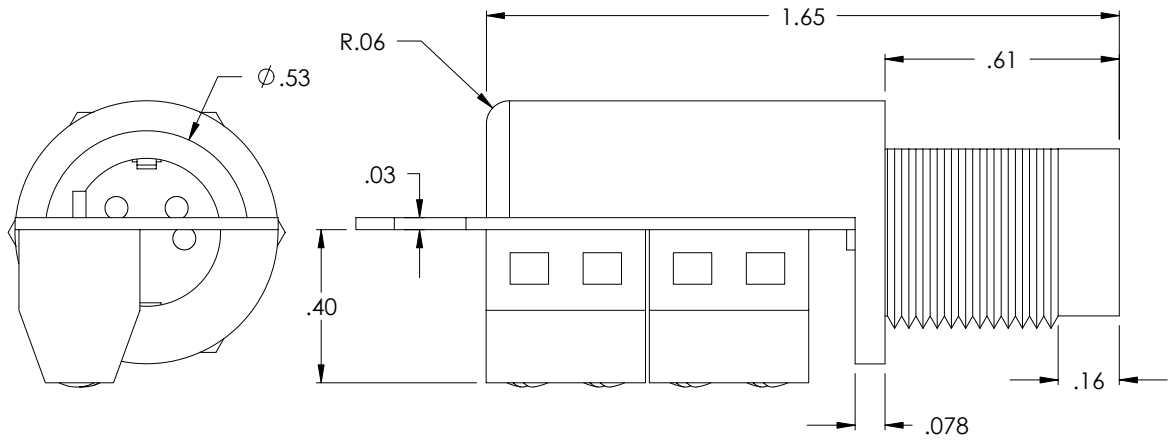


THE INFORMATION CONTAINED IN THIS DRAWING IS THE SOLE PROPERTY OF L-COM, INC. ANY REPRODUCTION IN PART OR WHOLE WITHOUT THE WRITTEN PERMISSION OF L-COM, INC. IS PROHIBITED.

REVISIONS			
REV	DESCRIPTION	DATE	APPROVED
A	RELEASED TO PRODUCTION	7/9/02	R. CARRICK
B	ADDED CABLE TIE PART NUMBER ECN # 1710	4/5/04	R. CARRICK
.	.	.	.
.	.	.	.



WIRING TABLE	
DIN-4	TERMINAL BLOCK
PIN 1	Y SHIELD
PIN 2	C SHIELD
PIN 3	Y CENTER
PIN 4	C CENTER

NOTES:  
 1. ONE CABLE TIE FOR 1/4" OD CABLE SUPPLIED WITH CONNECTOR ASSEMBLY.  
 3M PART NUMBER 06224 OR EQUIVALENT.

UNLESS OTHERWISE SPECIFIED, DIMENSIONS ARE IN INCHES. TOLERANCES ARE:  
 .X ±.1  
 .XX ±.05  
 .XXX ±.005  
 CABLE LENGTH TOLERANCE  
 <300" ±5% >300" ±2%

APPROVALS	DATE
DRAWN BY RON CARRICK	3/26/01
CHECKED BY ENG	3/28/01
APPROVED BY ZW	3/28/01

CONFIGURATION DETAILS OF UNDIMENSIONED FEATURES MAY VARY

**L-com**  
 CONNECTIVITY PRODUCTS

45 BEECHWOOD DRIVE  
 NORTH ANDOVER, MA  
 01845

PRODUCT DESCRIPTION  
**MIN DIN4 FIELD TERM CONNECTOR**

DRAWING TITLE  
**OUTLINE DRAWING**

SIZE <b>A</b>	FSCM NO. <b>43321</b>	DWG. NO. MD44FT-OD1	REV. <b>B</b>
SCALE: NONE		CAD FILE: MD44FT-OD1.SLDDRW	SHEET 1 OF 1