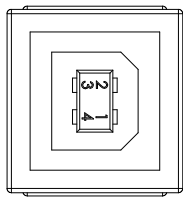
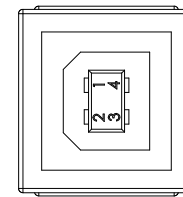
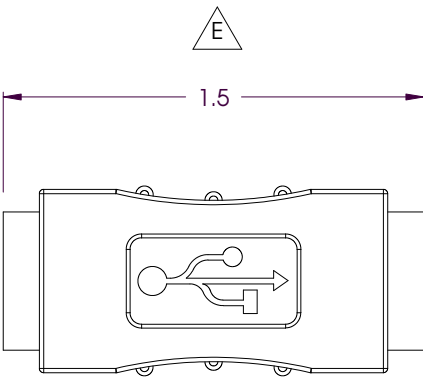


THE INFORMATION CONTAINED IN THIS DRAWING IS THE SOLE PROPERTY OF L-COM, INC. ANY REPRODUCTION IN PART OR WHOLE WITHOUT THE WRITTEN PERMISSION OF L-COM, INC. IS PROHIBITED.

REVISIONS			
REV	DESCRIPTION	DATE	APPROVED
B	REVISED ADDED LOGO (ECN# 1291)	01/20/03	MCCORMICK
C	ECN#1605 ADDED COMPONENT SPECIFICATION TABLE	12/15/03	MCCORMICK
D	ECN# 1962 REVISED TOLERANCE & MODIFIED COMPONENT SPECIFICATION	01/26/05	MCCORMICK
E	ECN# 2294 REVISED TOLERANCE TO ONE PLACE	01/18/05	MCCORMICK



SERIES "B" USB JACK  
J1



SERIES "B" USB JACK  
J2

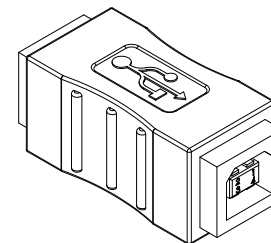
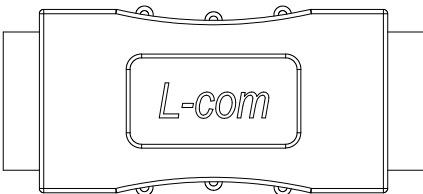
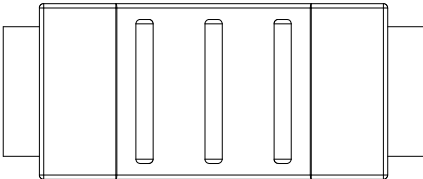


TABLE	
J1	J2
PIN 1	PIN 1
PIN 2	PIN 2
PIN 3	PIN 3
PIN 4	PIN 4
GRD	GRD

Component Specifications	
<b>Material</b>	
Overmold	PVC
Contacts	Brass
Insulator	PBT, UL 94V-0
<b>Finish</b>	
Shell	Nickel Silver
Contacts	Gold over Nickel
<b>Electrical</b>	
Current Rating	3 Amp
Dielectric Strength	1000V AC for one minute
Insulator Resistance	1000Ω min at 500V DC
<b>USB 2.0 Compliant</b>	
<b>CS-155</b>	

UNLESS OTHERWISE SPECIFIED,  
DIMENSIONS ARE IN INCHES  
TOLERANCES ARE:  
X ±.1  
XX ±.05  
XXX ±.005  
CABLE LENGTH TOLERANCE  
<300" ±5% >300" ±2%

APPROVALS	DATE
DRAWN BY C.MCCORMICK	12/20/2002
CHECKED BY D.PARHAM	12/20/2002
APPROVED BY R.CARRICK	12/20/2002

CONFIGURATION DETAILS OF  
UNDIMENSIONED FEATURES  
MAY VARY

		45 BEECHWOOD DRIVE NORTH ANDOVER, MA 01845	
PRODUCT DESCRIPTION SERIES "B" JACK TO SERIES "B" JACK ADAPTOR			
DRAWING TITLE <h2 style="text-align: center;">OUTLINE DRAWING</h2>			
SIZE <b>A</b>	FSCM NO. <b>43321</b>	DWG. NO. UAD012FF-OD1	REV. <b>E</b>
SCALE: NONE   CAD FILE: UAD012FF-OD1.SLDDRW   SHEET 1 OF 1			