

PLEASE CHECK WWW.MOLEX.COM FOR LATEST PART INFORMATION

Part Number: [1200840016](#)

Status: **Active**

Overview: Brad® Ultra-Lock® Connection System

Description: Ultra-Lock® (M12) 5 Poles, Receptacle, Female, 1/2" - 14 NPT Mounting Threads, 22 AWG PVC Leads, 0.30m (11.81") Length

Documents:

[Drawing \(PDF\)](#)

[RoHS Certificate of Compliance \(PDF\)](#)

Agency Certification

CSA LR6837

General

| | |
|----------------|---|
| Product Family | Industrial Receptacles |
| Series | 120084 |
| IP Rating | IP69K |
| NEMA Rating | NEMA 6 |
| Overview | Brad® Ultra-Lock® Connection System |
| Product Name | Ultra-Lock® (M12) |
| Type | Single Ended (pigtail) |
| UPC | 78678888407 |

Physical

| | |
|-------------------------------|---------------------|
| Coupling Type | Internal Thread |
| Gender | Female |
| Keyway | Single |
| Length | 0.30m |
| Material - Component | Nickel-plated Brass |
| Mounting Thread Size | 1/2" - 14 NPT |
| Orientation | Straight |
| Panel Mount | Front |
| Poles | 5 |
| Temperature Range - Operating | -25°C to +90°C |
| Wire Size AWG | 22 |
| Wire/Cable Type | Leads, UL 1061 |

Electrical

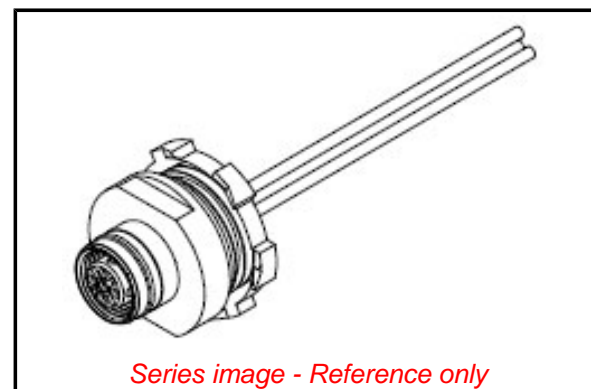
| | |
|-------------------------------|------------|
| Current - Maximum per Contact | 4.0A |
| Voltage - Maximum | 250V AC/DC |

Material Info

| | |
|-----------------|---------------|
| Old Part Number | WR5000A18C300 |
|-----------------|---------------|

Reference - Drawing Numbers

| | |
|---------------|---------------|
| Sales Drawing | SD-120084-027 |
|---------------|---------------|



Series image - Reference only

EU ELV

Not Reviewed

EU RoHS

Not Reviewed

REACH SVHC

Not Reviewed

Halogen-Free

Status

Not Reviewed

Need more information on product environmental compliance?

Email productcompliance@molex.com
Please visit the [Contact Us](#) section for any non-product compliance questions.

China ROHS

Not Reviewed

ELV

Not Reviewed

Search Parts in this Series

[120084 Series](#)