

Type : Mercury and Lead Free Button Cell

Chemical System : Zinc/Manganese Dioxide

Nominal Voltage : 1.5V

Nominal Dimension : $\Phi 11.6 \times 5.4$ mm

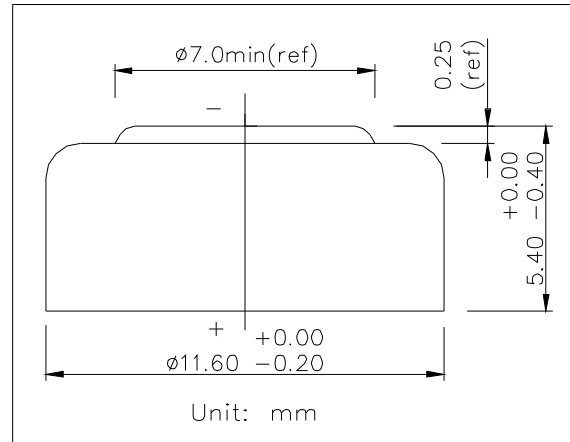
Applications : Calculator, hearing, lighter, camera, ...etc.

Average Weight : 1.9g

Date Code : Unless otherwise specified, each cell will carry a numeric year code and an alphabetical month code.

Close Voltage **Circuit** : 1.3V(min.)(load resistor 100 Ω at 20 $^{\circ}$ C for 0.1 to 2 seconds)

Model No.: **GPA76F**



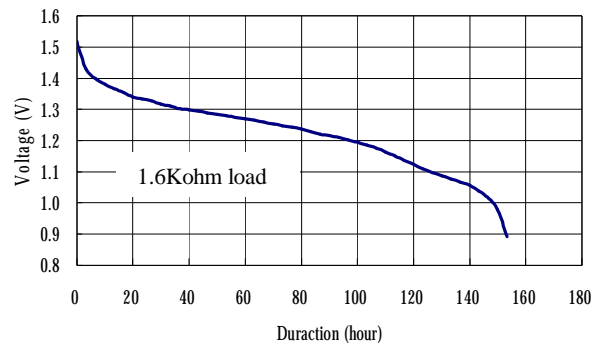
Nominal Life **Service** : 140hrs (load 1.6k Ω to cut off 1.0V under 20 $^{\circ}$ C)

Average Capacity **Service** : 110mAh (load 1.6k Ω to cut off 1.0V under 20 $^{\circ}$ C)

Cross References:

IEC	Maxell	Duracell	Others
LR44	LR44	PX76A	V13GA, AG13

Typical discharge curve when at 20 \pm 2 $^{\circ}$ C



Typical Discharge characteristics at 20 \pm 2 $^{\circ}$ C

The information (subject to change without prior notice) contained in this document is for reference only and should not be used as a basis for product guarantee or warranty. For applications other than those described here, please consult your nearest GP Sales and Marketing Office or Distributors.

BQS1051 rev.02