

GP Batteries

Data Sheet

Rechargeable Nickel Metal Hydride Battery

Model: GP130AAHC

Revision History

Revision	Date	Initiator	Change Description
00	2013-6-11	Jackie Yu	1.Replace the 'PMS2031 R5'
01	2014-2-12	Jackie Yu	1.New form 2.Change the Ri from '17-38 mΩ' to 'Max.40 mΩ'
02	2014-5-24	Jackie Yu	1.Change the avg. Ri from 22 to 25 mΩ;Max Ri from 40 to 35 mΩ

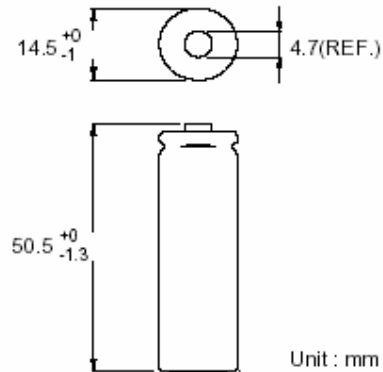
Prepared by	Checked by	Approver
RD Engineer	RD Manager	SM
XM Hu	Jackie Yu	Vivian Fong
Date: 2014-5-24	Date: 2014-5-24	Date:2014-5-24

GPI International Limited

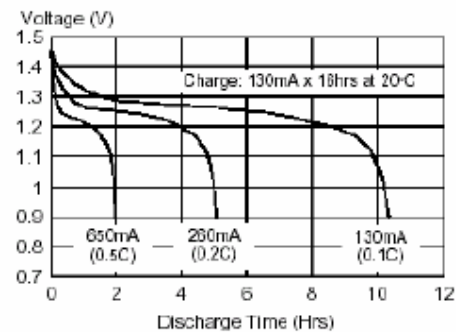
Gold Peak Building, 8/F, 30 Kwai Wing Road,
Kwai Chung, New Territories, Hong Kong.
Tel: (852) 2484 3333 Fax: (852) 24805912
Email: gpi@goldpeak.com
Website: <http://www.gpbatteries.com>

Model No.: GP130AAHC

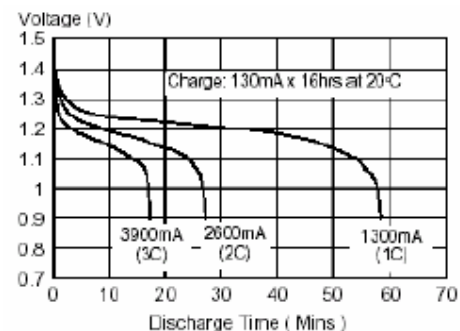
Type	: Rechargeable Nickel Metal Hydride Cylindrical Cell
Nominal Dimension (with Sleeve)	: $\Phi = 14.5\text{mm}$ H = 50.5mm
Applications	: Recommended discharge current 130 to 3900 mA
Nominal Voltage	: 1.2V
Capacity	: Nominal: 1300mAh Minimum: 1300mAh Typical: 1350mAh When discharged at 260mA to 1.0V at 20°C
Charging Condition	: 130mA for 16 hrs at 20°C
Charging Retention	: 80% of nominal capacity after cell storage at 20°C for 12 months When discharged at 260mA to 1.0V at 20°C
Fast Charge	: 650mA to 1300mA (0.5 to 1C) charge termination control recommended control parameters: - ΔV : 0-5mV DT/dt : 0.8°C/min (0.5 to 0.9C) 0.8 - 1°C/min (1C) TCO : 45 - 50°C Timer : 105% nominal input (for ref. only)
Service Life	: >500 cycles (IEC standard)
Continuous Overcharge	: 130mA maximum current for 1 year. No conspicuous deformation and/or leakage
Weight	: 25.0g
Internal Resistance	: Average 25m Ω upon fully charged (Max. 35m Ω) at 1000Hz
Max. Charging Voltage	: 1.5V at 130mA charging
Ambient Temperature Range	: Standard Charge : 0 to 45°C Fast Charging : 10 to 45°C Discharge : -20 to 50°C Storage : -20 to 35°C



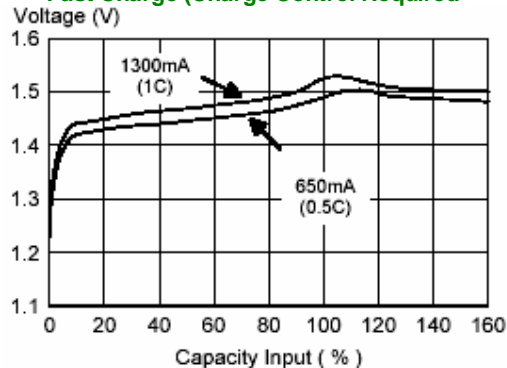
Low Rate Discharge



High Rate Discharge



Fast Charge (Charge Control Required)



The information (subject to change without prior notice) contained in this document is for reference only and should not be used as a basis for product guarantee or warranty. For applications other than those described here, please consult your nearest GP Sales and Marketing Office or Distributors.