

GP Batteries

PRODUCT SPECIFICATION

**GP PowerBank
Model : GPPB420**

Revision History

Revision	Date	Initiator	Reason for Change
00	13 March 2012	Keness Wong	New release

Prepared By	Approved By
Keness Wong	Tom Tsang
Date: 13 March 2012	Date: 13 March 2012

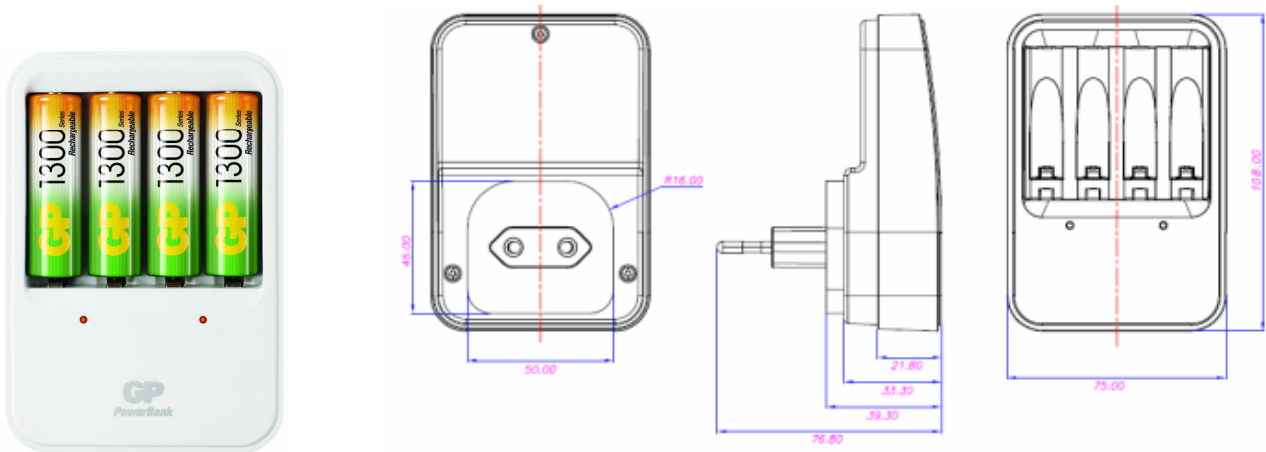
GPI International Limited

Gold Peak Building, 8/F, 30 Kwai Wing Road,
Kwai Chung, New Territories, Hong Kong.
Tel: (852) 2484 3333 Fax: (852) 24805912
Email: gpii@goldpeak.com
Website: <http://www.gpbatteries.com>

GP Batteries

Product Specification

Model no.: GPPB420



Unit : mm

Product Name	: GP PowerBank GPPB420	
Description	: Continuous NiMH Battery Charger (Plug-in Type)	
Input Voltage	: 230V AC 50Hz (GS/BS) 120V AC 60Hz (US)	
Input Power	: 6W Max.	
Application	: For charging 2 or 4 pcs AA / AAA NiMH batteries ; 1 battery per one channel	
Output Voltage	: 1.4V DC	
Charging Current	: AA	180mA +/- 10%
Output Current	: AAA	180mA +/- 10%
Charging Time	:	

Battery Type / Size	Capacity (series / mAh)	Charging Time (hours)
NiMH AA	2100 series ~ 2700 series (min. 2000mAh) ~ (min. 2500mAh)	13.0 ~ 16.0
	1000 series ~ 1800 series (min. 1000mAh) ~ (min. 1800mAh)	6.5 ~ 11.5
NiMH AAA	600 series ~ 1000 series (min. 600mAh) ~ (min. 930mAh)	4.0 ~ 6.5

GP Batteries

Product Specification

Model no.: GPPB420

MTBF : 30000 hours (at ambient temperature 25°C)
Operation Temperature : 0°C to 40°C
Storage Temperature : -20°C to 60°C
LED Indication : 2 x Amber Color LED for two channels ; two channels operate individually

Condition	LED indicator
Charging in Progress	LED on
Batteries Removed	LED off

Dimension : 108 (L) x 75 (W) x 33.3 (H)mm
Weight : 169g (approx)
Approval : PB420GS – GS, CE
PB420BS – CE
PB420US – ETL, FCC
Compliance : RoHS and REACH
Warranty Period : 12 months from ex-factory date