

# GP Batteries

## Data Sheet

### Rechargeable Nickel Metal Hydride Battery

Model: GP15R8HB

#### Revision History

Revision	Date	Initiator	Change Description
03	2014-10-28	DT Yu	Change Charge Retention from "80% of nominal capacity after cell storage at 20°C for 12months" to "80% of nominal capacity after cell storage at 20°C for 24months"

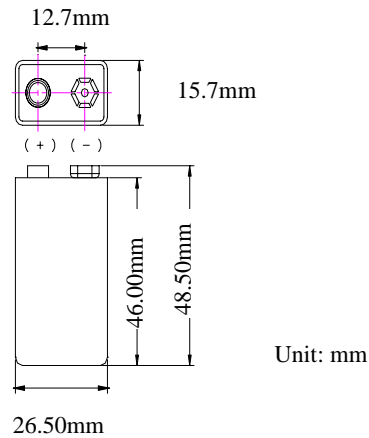
Prepared by	Checked by	Approver
RD Engineer	RD Manager	SM
DT Yu	Ling Guan	Vivian Fong
Date: 2014-10-28	Date: 2014-10-28	Date:2014-10-28

#### GPI International Limited

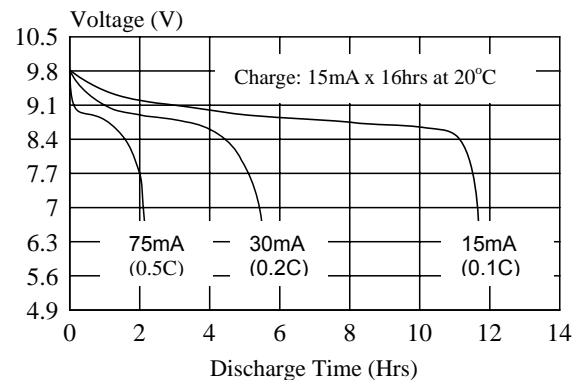
Gold Peak Building, 8/F, 30 Kwai Wing Road,  
Kwai Chung, New Territories, Hong Kong.  
Tel: (852) 2484 3333 Fax: (852) 24805912  
Email: [gpii@goldpeak.com](mailto:gpii@goldpeak.com)  
Website: <http://www.gpbatteries.com>

### Model No.: GP15R8HB

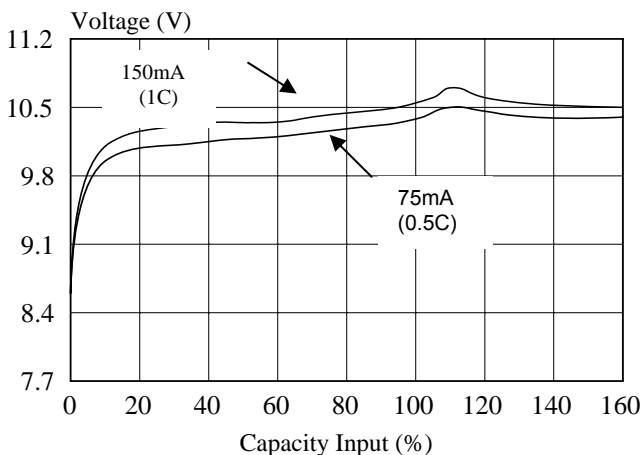
<b>Type</b>	: Rechargeable Nickel Metal Hydride Cylindrical Cell
<b>Nominal Dimension (with Sleeve)</b>	: 15.7mm(l) x 26.5mm(w) x 48.5mm(h)
<b>Applications</b>	: Recommended discharge current 15 to 450mA
<b>Nominal Voltage</b>	: 8.4V
<b>Capacity</b>	: Nominal: 150mAh Minimum: 150mAh Typical: 155mAh When discharged at 30mA to 7.0V at 20°C
<b>Charging Condition</b>	: 15mA for 16 hrs at 20°C
<b>Charging Retention</b>	: 80% of nominal capacity after cell storage at 20°C for 24months When discharged at 30mA to 7.0V at 20°C
<b>Fast Charge</b>	: 75mA to 150mA (0.5 to 1C) charge termination control recommended control parameters: -ΔV : 0-5mV DT/dt : 0.8°C/min (0.5 to 0.9C) 0.8 - 1°C/min (1C) TCO : 45 - 50°C Timer : 105% nominal input (for ref. only)
<b>Service Life</b>	: >1000 cycles (IEC standard)
<b>Continuous Overcharge</b>	: 15mA maximum current for 1 year. No conspicuous deformation and/or leakage
<b>Weight</b>	: 32.0g
<b>Internal Resistance</b>	: Maximum 2000mΩ upon fully charged at 1000Hz
<b>Max. Charging Voltage</b>	: 12.0V at 15mA charging
<b>Ambient Temperature Range</b>	: Standard Charge : 0 to 45°C Fast Charging : 10 to 45°C Discharge : -20 to 50°C Storage : -20 to 35°C



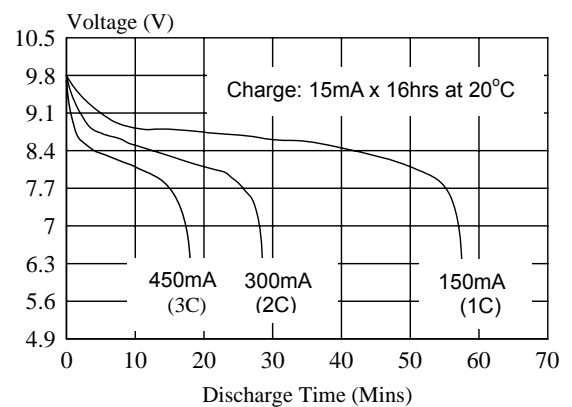
### Low Rate Discharge



### Fast Charge (Charge control required)



### High Rate Discharge



The information (subject to change without prior notice) contained in this document is for reference only and should not be used as a basis for product guarantee or warranty. For applications other than those described here, please consult your nearest GP Sales and Marketing Office or Distributors.