



8-Chan JFET Analog Multiplexers (Overvoltage & Power Supply Loss Protected)

MUX-08

FEATURES

- JFET Switches Rather Than CMOS
- Low "ON" Resistance 220Ω Typ
- Highly Resistant to Static Discharge Damage
- No SCR Latch-Up Problems
- Digital Inputs Compatible With TTL and CMOS
- 125°C Temperature Tested Dice Available
- MUX-08 Pin Compatible With DG508, HI-508A, IH5108, IH6108, LF11508/12508/13508, AD7506
- MUX-24 is Obsolete

ORDERING INFORMATION †

25°C ON RESISTANCE	PACKAGE			OPERATING TEMPERATURE RANGE
	CERDIP 16-PIN	PLASTIC 16-PIN	LCC 20-CONTACT	
220Ω	MUX08AQ*	—	—	MIL
	MUX08EQ	—	—	IND
	—	MUX08EP	—	COM
300Ω	MUX08BQ*	—	MUX08BRC/883	MIL
	MUX08FQ	—	—	IND
	—	MUX08FP	—	XIND
	—	MUX08FS††	—	XIND

* For devices processed in total compliance to MIL-STD-883, add /883 after part number. Consult factory for 883 data sheet.

† Burn-in is available on commercial and industrial temperature range parts in CerDIP, plastic DIP, and TO-can packages.

†† For availability and burn-in information on SO and PLCC packages, contact your local sales office.

GENERAL DESCRIPTION

The MUX-08 is a monolithic eight-channel analog multiplexer which connects a single output to one of the eight analog inputs depending upon the state of a 3-bit binary address.

The MUX-24 is a monolithic four-channel differential analog multiplexer configured in a double pole, four-position (plus OFF) electronic switch array. A two-bit binary input address connects a pair of independent analog inputs from each four-channel input section to the corresponding pair of independent analog outputs.

All switches in the MUX-08/MUX-24 are turned OFF by applying logic "0" to the ENABLE pin, thereby providing a package select function.

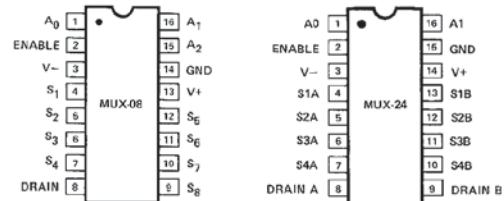
REV. B

Information furnished by Analog Devices is believed to be accurate and reliable. However, no responsibility is assumed by Analog Devices for its use, nor for any infringements of patents or other rights of third parties which may result from its use. No license is granted by implication or otherwise under any patent or patent rights of Analog Devices.

Fabricated with Precision Monolithics' high performance Bipolar-JFET technology, these devices offer low, constant "ON" resistance, low leakage currents and fast settling time with low crosstalk to satisfy a wide variety of applications. These multiplexers do not suffer from latch-up or static charge blow-out problems associated with similar CMOS parts. The digital inputs are designed to operate from both TTL and CMOS levels while always providing a definite break-before-make action without the need for external pull-up resistors over the full operating temperature range.

The MUX-24 is no longer available.

PIN CONNECTIONS

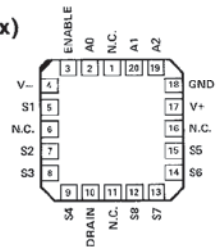


16-PIN CERDIP (Q-Suffix)

16-PIN PLASTIC DIP (P-Suffix)

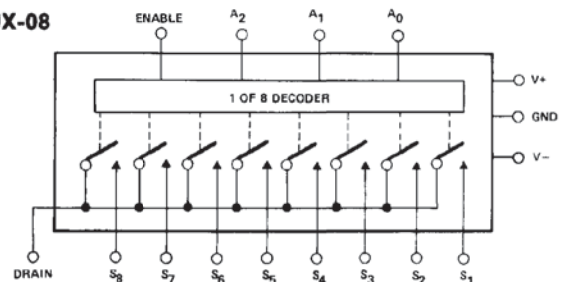
16-PIN SO (S-Suffix)

20-CONTACT LCC (RC-Suffix)

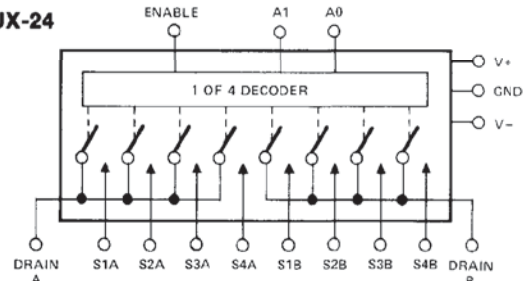


FUNCTIONAL DIAGRAMS

MUX-08



MUX-24



One Technology Way, P.O. Box 9106, Norwood, MA 02062-9106, U.S.A.
Tel: 617/329-4700 Fax: 617/326-8703 Twx: 710/394-6577
Telex: 924491 Cable: ANALOG NORWOODMASS

MUX08* Product Page Quick Links

Last Content Update: 08/30/2016

[Comparable Parts](#)

View a parametric search of comparable parts

[Documentation](#)

Application Notes

- AN-1024: How to Calculate the Settling Time and Sampling Rate of a Multiplexer
- AN-32: Single Supply Operation of JFET Multiplexers

Data Sheet

- MUX08: Military Data Sheet
- MUX08: 8-Chan Analog Multiplexers (Overvoltage & Power Supply Loss Protected) Data Sheet

[Design Resources](#)

- MUX08 Material Declaration
- PCN-PDN Information
- Quality And Reliability
- Symbols and Footprints

[Discussions](#)

View all MUX08 EngineerZone Discussions

[Sample and Buy](#)

Visit the product page to see pricing options

[Technical Support](#)

Submit a technical question or find your regional support number

MUX-08

ABSOLUTE MAXIMUM RATINGS (Note 1)

Operating Temperature Range

MUX-08/24-AQ, BQ, BRC	-55°C to +125°C
MUX-02/24-EQ, FQ	-25°C to +85°C
MUX-08/24-EP	0°C to +70°C
MUX-08/24-FP, FS	-40°C to +85°C

Junction Temperature (T_J) -65°C to +150°C

Storage Temperature Range -65°C to +150°C

P-Suffix -65°C to +125°C

Lead Temperature (Soldering, 60 sec) 300°C

Maximum Junction Temperature 150°C

V+ Supply to V- Supply 36V

Logic Input Voltage (-4V or V-) to V+ Supply

Analog Input Voltage V- Supply -20V to V+ Supply +20V

Maximum Current Through Any Pin 25mA

PACKAGE TYPE	Θ _{JA} (Note 2)	Θ _{JC}	UNITS
16-Pin Hermetic DIP (Q)	100	16	°C/W
16-Pin Plastic DIP (P)	82	39	°C/W
20-Contact LCC (RC)	98	38	°C/W
16-Pin SO (S)	111	35	°C/W

NOTES:

- Absolute maximum ratings apply to both DICE and packaged parts, unless otherwise noted.
- Θ_{JA} is specified for worst case mounting conditions, i.e., Θ_{JA} is specified for device in socket for CerDIP, P-DIP, and LCC packages; Θ_{JA} is specified for device soldered to printed circuit board for SO package.

ELECTRICAL CHARACTERISTICS at V+ = +15V, V- = -15V and T_A = 25°C, unless otherwise noted.

PARAMETER	SYMBOL	CONDITIONS	MUX-08A/E MUX-24A/E			MUX-08B/F MUX-24B/F			UNITS
			MIN	TYP	MAX	MIN	TYP	MAX	
"ON" Resistance	R _{ON}	V _S ≤ 10V, I _S ≤ 200μA	—	220	300	—	300	400	Ω
ΔR _{ON} With Applied Voltage	ΔR _{ON}	-10V ≤ V _S ≤ 10V, I _S = 200μA	—	1	5	—	3	7	%
R _{ON} Match Between Switches	R _{ON} Match	V _S = 0V, I _S = 200μA	—	7	15	—	9	20	%
Analog Voltage Range	V _A	(Note 6)	+10 -10	+10.4 -15	—	+10 -10	+10.4 -15	—	V
Source Current (Switch "OFF")	I _{S(OFF)}	V _S = 10V, V _D = -10V (Note 1)	—	0.01	1.0	—	0.01	2.0	nA
Drain Current (Switch "OFF")	I _{D(OFF)}	V _S = 10V, V _D = -10V (Note 1)	MUX-08 MUX-24	— 0.05	0.1 1.0	— 0.05	0.1 1.0	2.0 2.0	nA
Leakage Current (Switch "ON")	I _{D(ON)} +I _{S(ON)}	V _D = 10V (Note 1)	MUX-08 MUX-24	— 0.05	0.1 1.0	— 0.05	0.1 1.0	2.0 2.0	nA
Digital Input Current	I _{IN}	V _{IN} = 0.4V to 15V	—	1	10	—	1	10	μA
Digital "0" Enable Current	I _{INL(EN)}	V _{EN} = 0.4V	—	4	10	—	4	10	μA
Digital Input Capacitance	C _{DIG}		—	3	—	—	3	—	pF
Switching Time (t _{TRAN})	t _{PHL} t _{PLH}	(Notes 2, 5) Figure 1 (Test Circuit)	—	1.5 1.0	2.1 1.3	—	1.5 1.0	2.1 1.3	μs
Output Settling Time	t _S	10V Step to 0.10% 10V Step to 0.05% 10V Step to 0.02%	—	2.2 2.7 3.4	— — —	—	2.2 2.7 3.4	— — —	μs
Break-Before-Make Delay	t _{OPEN}	Figure 3 (Test Circuit)	—	0.8	—	—	1.0	—	μs
Enable Delay "ON"	t _{ON(EN)}	(Note 5) Figure 2 (Test Circuit)	—	1	2	—	1	2	μs
Enable Delay "OFF"	t _{OFF(EN)}	(Note 5) Figure 2 (Test Circuit)	MUX-08 MUX-24	— 0.2	0.1 0.5	0.4 0.5	— 0.3	0.2 0.6	μs
"OFF" Isolation	ISO _{OFF}	(Note 4) Figure 5 (Test Circuit)	MUX-08 MUX-24	— 66	60 —	— —	60 66	— —	dB
Crosstalk	CT	(Note 3) Figure 4 (Test Circuit)	MUX-08 MUX-24	— 76	70 —	— —	70 76	— —	dB
Source Capacitance	C _{S(OFF)}	Switch "OFF", V _S = 0V, V _D = 0V	MUX-08 MUX-24	— 2	2.5 —	— —	2.5 2	— —	pF
Drain Capacitance	C _{D(OFF)}	Switch "OFF", V _S = 0V, V _D = 0V	MUX-08 MUX-24	— 4	7 —	— —	7 4	— —	pF
Input to Output Capacitance	C _{DS(OFF)}	(Note 4)	MUX-08 MUX-24	— 0.15	0.3 —	— —	0.3 0.15	— —	pF
Positive Supply Current (All Digital Inputs Logic "0" or "1")	I ₊	V ₊ = 15V V ₊ = 5V	—	10 8	12 —	—	6 5	12 —	mA
Negative Supply Current (All Digital Inputs Logic "0" or "1")	I ₋	V ₊ = -15V V ₊ = -5V	—	3.0 2.5	3.8 —	—	2.0 1.8	3.8 —	mA

ELECTRICAL CHARACTERISTICS at $V_+ = 15V$, $V_- = -15V$ and $-55^\circ C \leq T_A \leq 125^\circ C$, unless otherwise noted.

PARAMETER	SYMBOL	CONDITIONS	MUX-08A/ MUX-24A			MUX-08B/ MUX-24B			UNITS
			MIN	TYP	MAX	MIN	TYP	MAX	
"ON" Resistance	R_{ON}	$V_S \leq 10V, I_S \leq 200\mu A$	—	—	400	—	—	500	Ω
ΔR_{ON} With Applied Voltage	ΔR_{ON}	$-10V \leq V_S \leq 10V, I_S = 200\mu A$	—	1.5	—	—	4.5	—	%
R_{ON} Match Between Switches	R_{ON} Match	$V_S = 0V, I_S = 200\mu A$	—	10	—	—	15	—	%
Analog Voltage Range	V_A	(Note 6)	+10 -10	+10.4 -15	—	+10 -10	+10.4 -15	—	V
Source Current (Switch "OFF")	$I_{S(OFF)}$	$V_S = 10V, V_D = -10V$ (Notes 1, 7)	—	—	25	—	—	50	nA
Drain Current (Switch "OFF")	$I_{D(OFF)}$	$V_S = 10V, V_D = -10V$ (Notes 1, 7)	MUX-08 MUX-24	—	100 50	—	—	500 500	nA
Leakage Current (Switch "ON")	$I_{D(ON)}$ $+ I_{S(ON)}$	$V_D = 10V$ (Notes 1, 7)	MUX-08 MUX-24	—	100 50	—	—	500 500	nA
Digital "1" Input Voltage	V_{INH}	(Note 6)	2	—	—	2	—	—	V
Digital "0" Input Voltage	V_{INL}	(Note 6)	—	—	0.7	—	—	0.7	V
Digital Input Current	I_{IN}	$V_{IN} = 0.4V$ to 15V	—	—	20	—	—	20	μA
Digital "0" Enable Current	$I_{INL(EN)}$	$V_{EN} = 0.4V$	—	—	20	—	—	20	μA
Positive Supply Current	I_+	All Digital Inputs Logic "0" or "1"	—	—	15	—	—	15	mA
Negative Supply Current	I_-	All Digital Inputs Logic "0" or "1"	—	—	5	—	—	5	mA

ELECTRICAL CHARACTERISTICS at $V_+ = 15V$, $V_- = -15V$ and $-25^\circ C \leq T_A \leq +85^\circ C$ for MUX-08EQ/FQ and MUX-24EQ/FQ; $0^\circ C \leq T_A \leq +70^\circ C$ for MUX-08EP and MUX-24EP; $-40^\circ C \leq T_A \leq +85^\circ C$ for MUX-08FP/FS and MUX-24FP/FS, unless otherwise noted

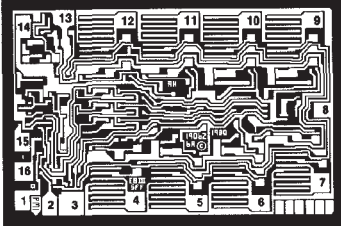
PARAMETER	SYMBOL	CONDITIONS	MUX-08E/ MUX-24E			MUX-08F/ MUX-24F			UNITS
			MIN	TYP	MAX	MIN	TYP	MAX	
"ON" Resistance	R_{ON}	$V_S \leq 10V, I_S \leq 200\mu A$	—	—	400	—	—	500	Ω
ΔR_{ON} With Applied Voltage	ΔR_{ON}	$-10V \leq V_S \leq 10V, I_S = 200\mu A$	—	1.5	—	—	4.5	—	%
R_{ON} Match Between Switches	R_{ON} Match	$V_S = 0V, I_S = 200\mu A$	—	10	—	—	15	—	%
Analog Voltage Range	V_A	(Note 6)	+10 -10	+10.4 -15	—	+10 -10	+10.4 -15	—	V
Source Current (Switch "OFF")	$I_{S(OFF)}$	$V_S = 10V, V_D = -10V$ (Notes 1, 7)	—	—	10	—	—	10	nA
Drain Current (Switch "OFF")	$I_{D(OFF)}$	$V_S = 10V, V_D = 10V$ (Notes 1, 7)	MUX-08 MUX-24	—	100 50	—	—	100 50	nA
Leakage Current (Switch "ON")	$I_{D(ON)}$ $+ I_{S(ON)}$	$V_D = 10V$ (Notes 1, 7)	MUX-08 MUX-24	—	100 50	—	—	100 50	nA
Digital "1" Input Voltage	V_{INH}	(Note 6)	2	—	—	2	—	—	V
Digital "0" Input Voltage	V_{INL}	(Note 6)	—	—	0.8	—	—	0.8	V
Digital Input Current	I_{IN}	$V_{IN} = 0.4V$ to 15V	—	—	20	—	—	20	μA
Digital "0" Enable Current	$I_{INL(EN)}$	$V_{EN} = 0.4V$	—	—	20	—	—	20	μA
Positive Supply Current	I_+	All Digital Inputs Logic "0" or "1"	—	—	15	—	—	15	mA
Negative Supply Current	I_-	All Digital Inputs Logic "0" or "1"	—	—	5	—	—	5	mA

NOTES:

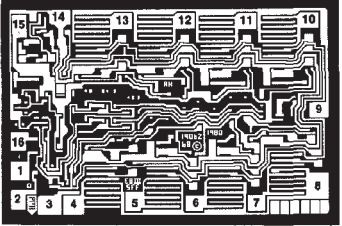
- Conditions applied to leakage tests insure worst case leakages. Exceeding 11V on the analog input may cause an "OFF" channel to turn "ON".
- $R_L = 10M\Omega$, $C_L = 10pF$.
- Crosstalk is measured by driving channel 8 with channel 4 "ON".
 $R_L = 1M\Omega$, $C_L = 10pF$, $V_S = 5V$ RMS, $f = 500kHz$.
- "OFF" isolation is measured by driving channel 8 with ALL channels "OFF".
 $R_L = 1k\Omega$, $C_L = 10pF$, $V_S = 5V$ RMS, $f = 500kHz$. C_{DS} is computed from the OFF isolation measurement.
- Sample tested.
- Guaranteed by leakage current and R_{ON} tests.
- Leakage tests are performed only on military temperature grades at 125°C.

MUX-08

DICE CHARACTERISTICS (125° C TESTED DICE AVAILABLE)



MUX-08



MUX-24

**DIE SIZE 0.093 × 0.059 inch, 5487 sq. mils
(2.362 × 1.500 mm, 3543 sq. mm)**

<p>1. A0 9. S8 2. ENABLE 10. S7 3. V- (SUBSTRATE) 11. S6 4. S1 12. S5 5. S2 13. V+ 6. S3 14. GND 7. S4 15. A2 8. DRAIN 16. A1</p>	<p>1. A0 9. DRAIN B 2. ENABLE 10. S4 B 3. V- (SUBSTRATE) 11. S3 B 4. S1 A 12. S2 B 5. S2 A 13. S1 B 6. S3 A 14. V+ 7. S4 A 15. GND 8. DRAIN A 16. A1</p>
--	---

WAFER TEST LIMITS at V+ = 15V, V- = -15V, T_A = 25° C, unless otherwise noted. (Note 1)

PARAMETER	SYMBOL	CONDITIONS	MUX-08/ MUX-24NT LIMIT	MUX-08/ MUX-24N LIMIT	MUX-08/ MUX-24G LIMIT	UNITS
"ON" Resistance	R _{ON}	V _S = 0V, I _S = 200μA T _A = 125° C	300 400	300 —	400 —	Ω MAX
Digital "1" Input Voltage	V _{INH}	(Note 2)	2	2	2	V MIN
Digital "0" Input Voltage	V _{INL}	(Note 2)	0.8	0.8	0.8	V MAX
Digital "0" Input Current	I _{INL}	V _{IN} = 0.4V T _A = 125° C	10 20	10 —	10 —	μA MAX
Digital "0" Enable Current	I _{INL(EN)}	V _{IN} = 0.4V T _A = 125° C	10 20	10 —	10 —	μA MAX
Positive Supply Current (All Digital Inputs Logic "0")	I+	T _A = 125° C	12 15	12 —	12 —	mA MAX
Negative Supply Current (All Digital Inputs Logic "0")	I-	T _A = 125° C	3.8 5	3.8 —	3.8 —	mA MAX
Analog Input Range	V _A	(Note 2)	± 10	± 10	± 10	V MIN

NOTE:

Electrical tests are performed at wafer probe to the limits shown. Due to variations in assembly methods and normal yield loss, yield after packaging is not guaranteed for standard product dice. Consult factory to negotiate specifications based on dice lot qualification through sample lot assembly and testing.

TYPICAL ELECTRICAL CHARACTERISTICS at V+ = 15V, V- = -15V and T_A = 25° C for MUX-08/24N & G, T_A = 125° C for MUX-08/24NT, unless otherwise noted.

PARAMETER	SYMBOL	CONDITIONS	MUX-08/ MUX-24NT TYPICAL	MUX-08/ MUX-24N TYPICAL	MUX-08/ MUX-24G TYPICAL	UNITS
Switching Time (t _{TRAN})	t _{PHL}	(Note 1)	1.7	1.3	2.1	μS
	t _{PLH}		1.1	0.9	1.3	
Output Settling Time	t _S	10V Step to 0.1% (Note 1)	2.1	1.5	1.9	μS
Break-Before-Make Delay	t _{OPEN}	(Note 1)	0.8	0.8	1.0	μS
Crosstalk	CT	(Note 1)	70	70	70	dB
ΔR _{ON} With Applied Voltage	ΔR _{ON}	-10V ≤ V _S ≤ 10V, I _S = 200μA	2	2	6	%
Leakage Current (Switch "ON")	I _{D(ON)}	V _D = 10V (Note 1)	20	0.5	0.5	nA
Analog Input Range	V _A		+ 10.4/- 15	+ 10.4/- 15	+ 10.4/- 15	V

NOTES:

1. The data shown is extrapolated from measurements made on the packaged devices.

2. Guaranteed by leakage current and R_{ON} tests.

MUX-08 LOGIC STATE

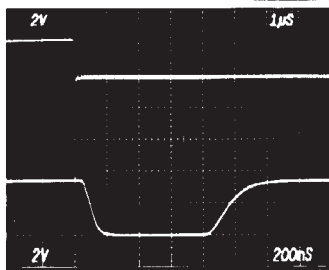
A ₂	A ₁	A ₀	EN	"ON" CHANNEL
X	X	X	L	NONE
L	L	L	H	1
L	L	H	H	2
L	H	L	H	3
L	H	H	H	4
H	L	L	H	5
H	L	H	H	6
H	H	L	H	7
H	H	H	H	8

MUX-24 LOGIC STATE

A ₁	A ₀	EN	"ON" CHANNEL
X	X	L	NONE
L	L	H	1
L	H	H	2
H	L	H	3
H	H	H	4

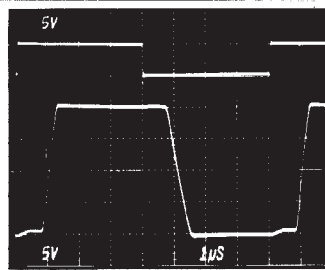
TYPICAL PERFORMANCE CHARACTERISTICS (Applies to all grades, unless otherwise noted.)

MUX-08 BREAK-BEFORE-MAKE SWITCHING



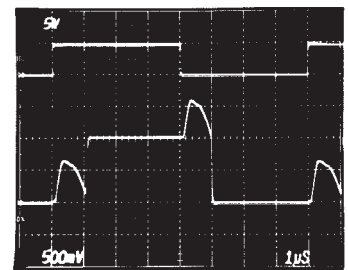
R_L = 1kΩ, C_L = 10pF, V₁, 8 = 10V
 VOLTAGE = 2V/DIV
 TIME = 200ns/DIV

MUX-08 LARGE-SIGNAL SWITCHING



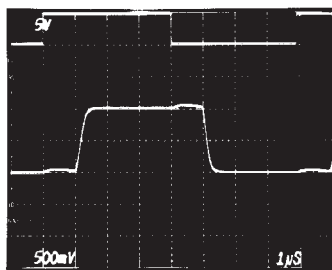
R_L = 1MΩ, C_L = 10pF, V₁ = -10V, V₈ = +10V
 VOLTAGE = 5V/DIV
 TIME = 1μs/DIV

MUX-08 SMALL-SIGNAL SWITCHING



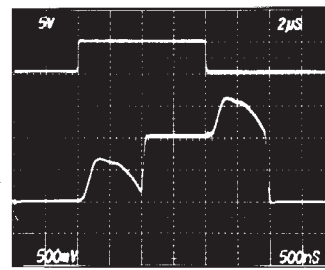
R_L = 1MΩ, C_L = 10pF, V₁ = -500mV, V₈ = +500mV
 VOLTAGE = 500mV/DIV
 TIME = 1μs/DIV

MUX-08 SMALL-SIGNAL SWITCHING WITH FILTERING



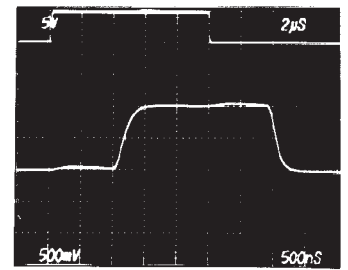
R_L = 1MΩ, C_L = 500pF, V₁ = 500mV, V₈ = +500mV
 VOLTAGE = 500mV/DIV
 TIME = 1μs/DIV

MUX-08 SMALL-SIGNAL SWITCHING WITH 2μs SAMPLE TIME



R_L = 1MΩ, C_L = 10pF, V₁ = -500mV, V₈ = +500mV
 VOLTAGE = 500mV/DIV
 TIME = 500ns/DIV

MUX-08 SMALL-SIGNAL SWITCHING WITH FILTERING AND 2.5μs SAMPLE TIME



R_L = 1MΩ, C_L = 500pF, V₁ = -500mV, V₈ = +500mV
 VOLTAGE = 500mV/DIV
 TIME = 500ns/DIV

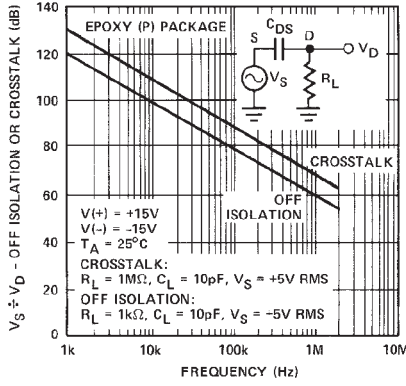
NOTE:

Top waveforms: Digital Input 5V/DIV
 Bottom waveforms: Multiplexer Output

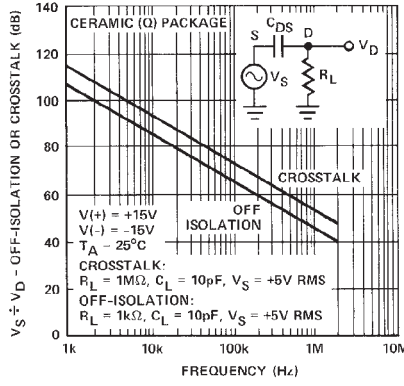
MUX-08

TYPICAL PERFORMANCE CHARACTERISTICS (Applies to all grades, unless otherwise noted.)

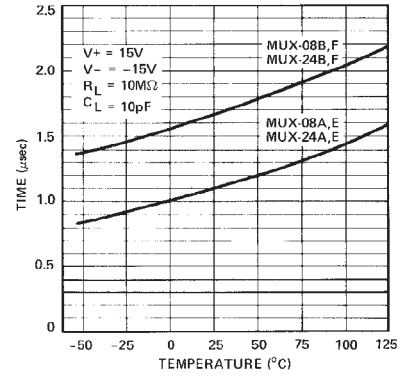
MUX-08 CROSSTALK AND OFF ISOLATION PERFORMANCE OF CHANNEL 8



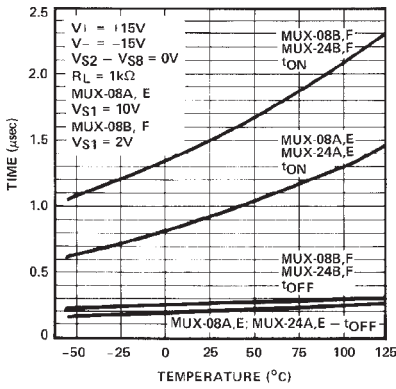
MUX-08 CROSSTALK AND OFF ISOLATION PERFORMANCE OF CHANNEL 8



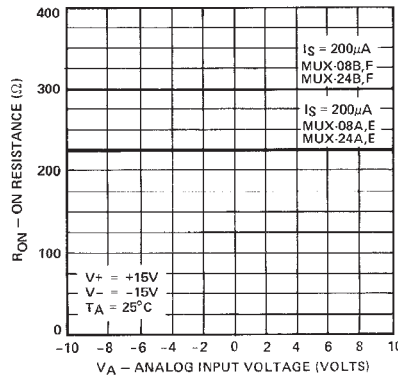
TRANSITION TIMES vs TEMPERATURE



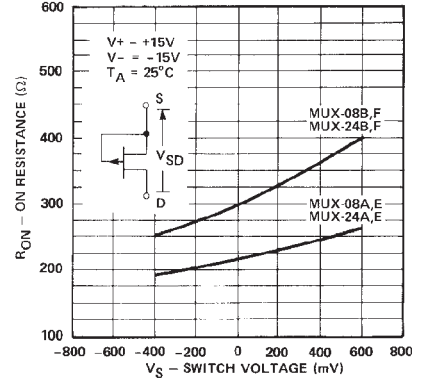
ENABLE DELAY TIMES vs TEMPERATURE



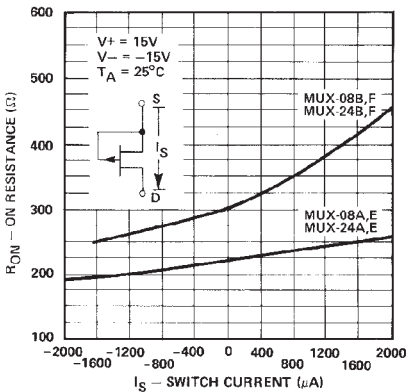
"ON" RESISTANCE (R_ON) vs ANALOG VOLTAGE (V_A)



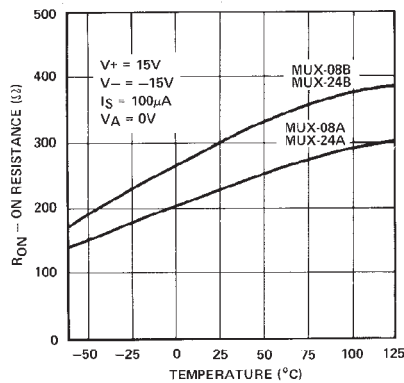
R_ON vs SWITCH VOLTAGE (V_SD)



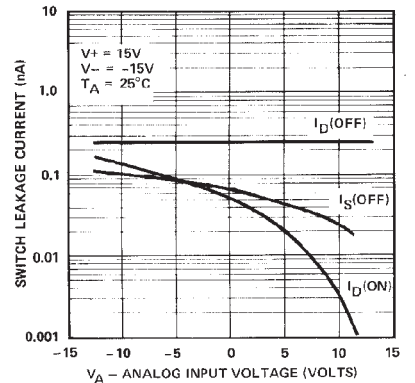
R_ON vs SWITCH CURRENT (I_S)



R_ON vs TEMPERATURE

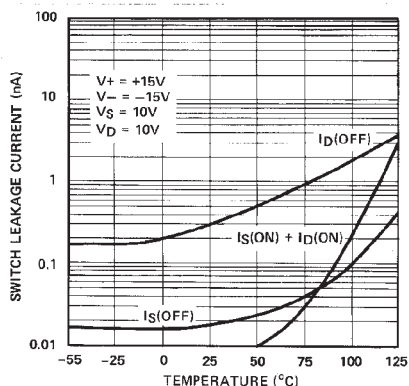


SWITCH LEAKAGE CURRENTS vs ANALOG INPUT VOLTAGE

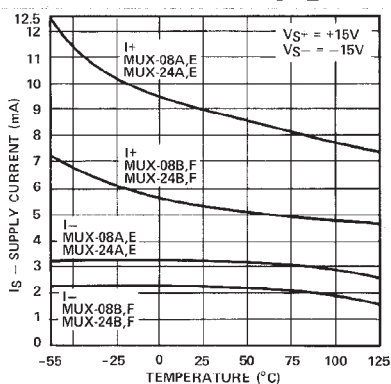


TYPICAL PERFORMANCE CHARACTERISTICS (Applies to all grades, unless otherwise noted.)

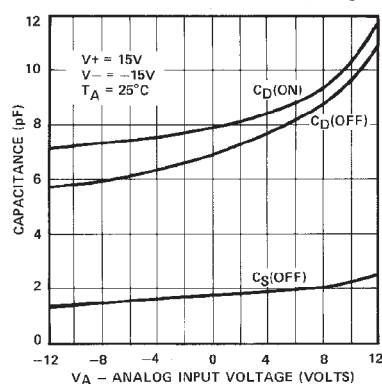
SWITCH LEAKAGE CURRENTS vs TEMPERATURE



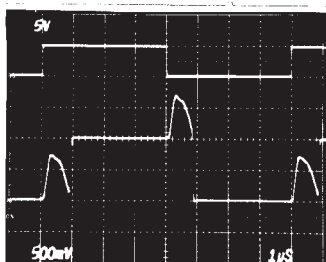
SUPPLY CURRENTS vs TEMPERATURE



MUX-08 SWITCH CAPACITANCES vs ANALOG INPUT VOLTAGE

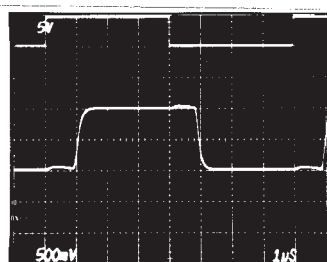


MUX-24 SMALL-SIGNAL SWITCHING



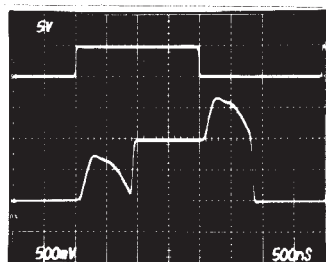
$R_L = 1M\Omega$, $C_L = 10pF$, $V_1 = -500mV$,
 $V_4 = +500mV$
 VOLTAGE = 500mV/DIV, TIME = 1µs/DIV

MUX-24 SMALL-SIGNAL SWITCHING WITH FILTERING



$R_L = 1M\Omega$, $C_L = 500pF$, $V_1 = -500mV$,
 $V_4 = +500mV$
 VOLTAGE = 500mV/DIV, TIME = 1µs/DIV

MUX-24 SMALL-SIGNAL SWITCHING WITH 2µs SAMPLE TIME



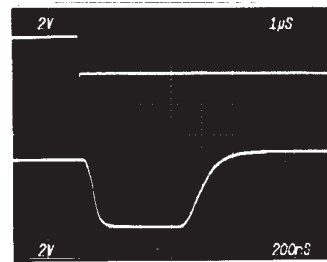
$R_L = 1M\Omega$, $C_L = 10pF$, $V_1 = -500mV$,
 $V_4 = +500mV$
 VOLTAGE = 500mV/DIV, TIME = 500ns/DIV

MUX-24 SMALL-SIGNAL SWITCHING WITH FILTERING AND 2.5µs SAMPLE TIME



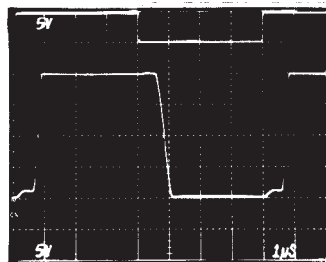
$R_L = 1M\Omega$, $C_L = 500pF$, $V_1 = -500mV$,
 $V_4 = +500mV$
 VOLTAGE = 500mV/DIV, TIME = 500ns/DIV

MUX-24 BREAK-BEFORE-MAKE SWITCHING



$R_L = 1k\Omega$, $C_L = 10pF$, $V_1 = 10V$
 VOLTAGE = 2V/DIV, TIME = 200ns/DIV

MUX-24 LARGE-SIGNAL SWITCHING



$R_L = 1M\Omega$, $C_L = 10pF$, $V_1 = -10V$, $V_4 = +10V$
 VOLTAGE = 5V/DIV, TIME = 1µs/DIV

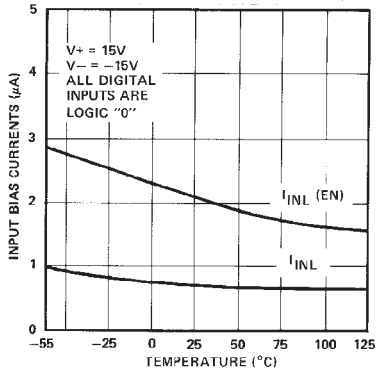
NOTE:

Top waveforms: Digital Input 5V/DIV
 Bottom waveforms: Multiplexer Output

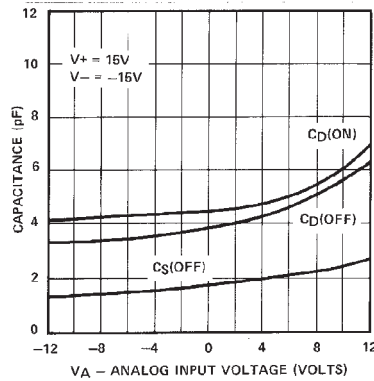
MUX-08

TYPICAL PERFORMANCE CHARACTERISTICS (Applies to all grades, unless otherwise noted.)

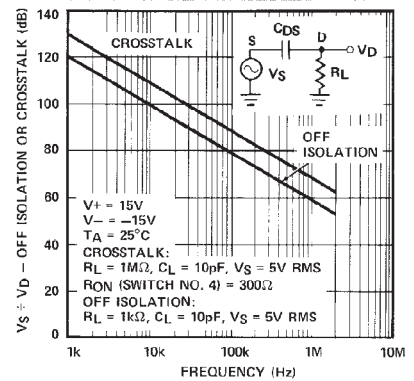
DIGITAL INPUT CURRENTS vs TEMPERATURE



MUX-24 SWITCH CAPACITANCES vs ANALOG INPUT VOLTAGE



MUX-24 CROSSTALK AND OFF ISOLATION PERFORMANCE OF CHANNEL 3A



A.C. TEST CIRCUITS

TRANSITION TIME TEST CIRCUIT

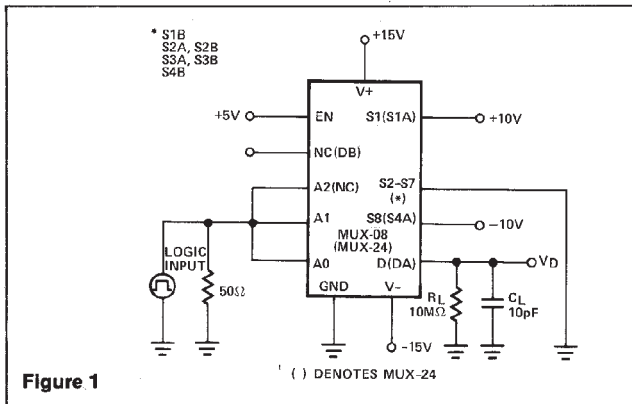


Figure 1

() DENOTES MUX-24

BREAK-BEFORE-MAKE TEST CIRCUIT

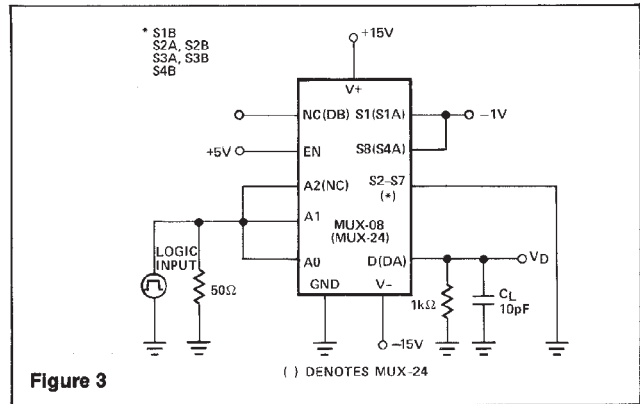


Figure 3

() DENOTES MUX-24

ENABLE DELAY TIME TEST CIRCUIT

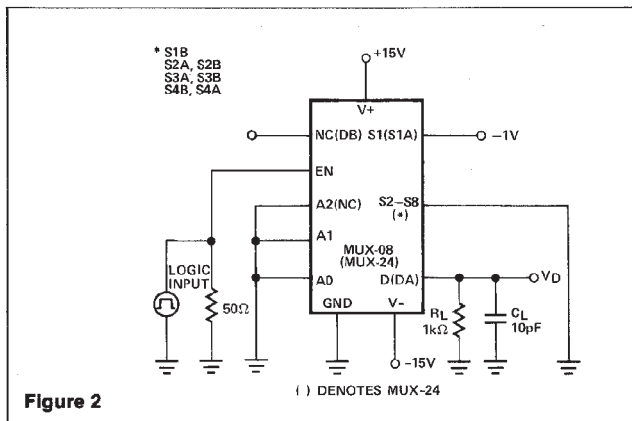


Figure 2

() DENOTES MUX-24

CROSSTALK MEASUREMENT CIRCUIT

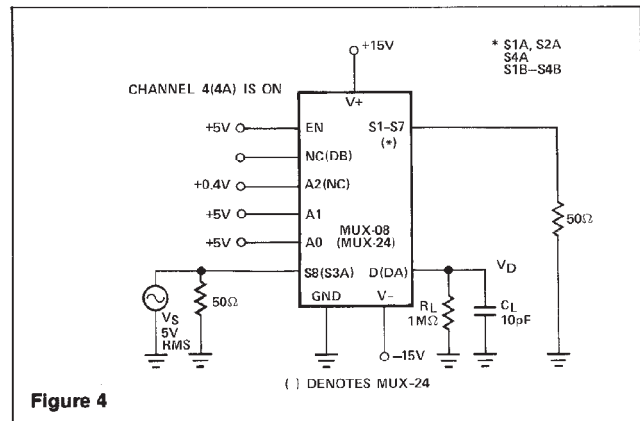


Figure 4

() DENOTES MUX-24

A.C. TEST CIRCUITS

OFF-ISOLATION MEASUREMENT CIRCUIT

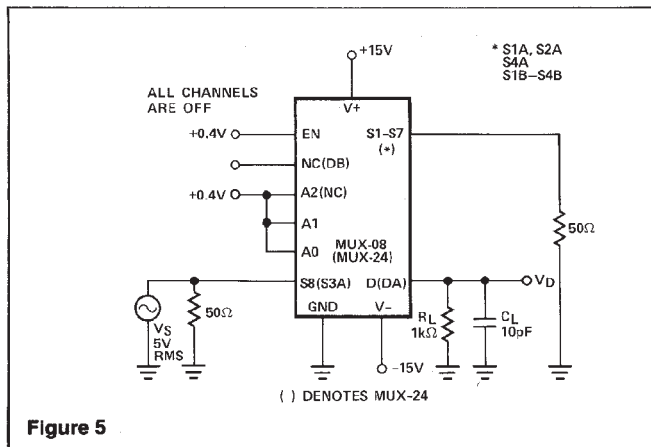
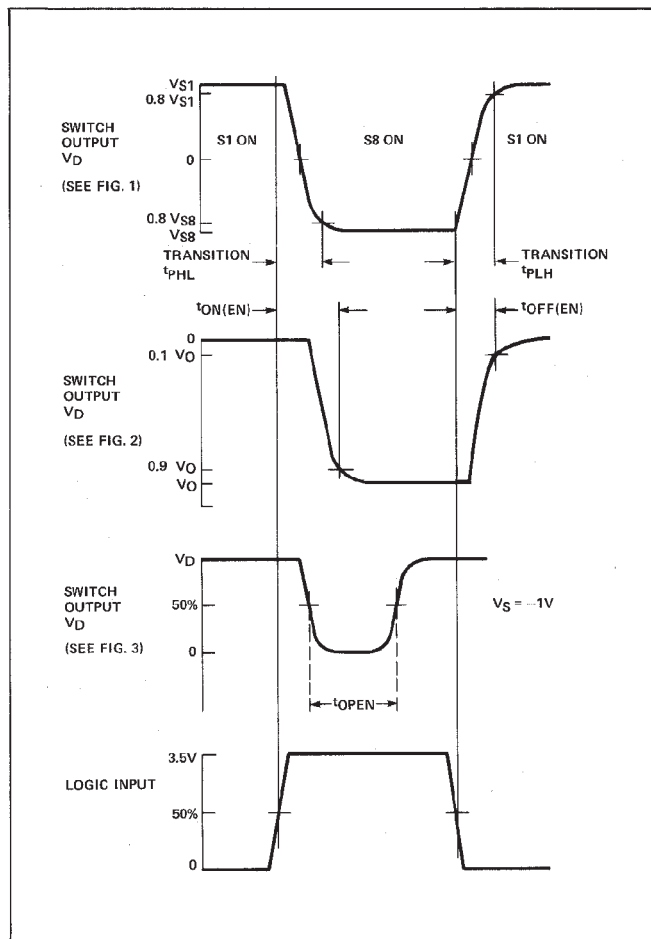


Figure 5

SWITCHING TIME WAVEFORMS



APPLICATIONS INFORMATION

These analog multiplexers employ ion-implanted JFETs in a switch configuration designed to assure break-before-make action. The turn-off time is much faster than the turn-on time to guarantee this feature over the full operating temperature and input voltage range. Fabricated with Bipolar-JFET processing, **special handling as required with CMOS devices, is not necessary to prevent damage to this multiplexer.** Because the digital inputs only require a 2.0V logic "1" input level, power-consuming pull-up resistors are not required for TTL compatibility to insure break-make switching as is most often the case with CMOS multiplexers. The digital inputs utilize PNP input transistors where input current is maximum at the logic "0" level and drops to that of a reverse-biased diode (about 10nA) as the input voltage is raised above $\approx 1.4V$.

The "ON" resistance, R_{ON} , of the analog switches is constant over the wide input voltage range of $-15V$ to $+11V$ with $V_{SUPPLY} = \pm 15V$. Higher input voltage is tolerable provided that some form of current limiting is employed (such as that of an op-amp output stage) to avoid exceeding junction temperature and power dissipation requirements. For normal operation, however, positive input voltages should be restricted to 11V (or 4V less than the positive supply). This assures that the V_{GS} of an "OFF" switch remains greater than its V_p , and prevents that channel from being falsely turned "ON". When operating with negative input voltages, the gate-to-channel diode will be turned on if the voltage drop across an "ON" switch exceeds $-0.6V$. While this condition will cause an error in the output, it will not damage the switch. In lab tests, the multiplexer output has been loaded with a $0.01\mu F$ capacitor in the circuit of Figure 1. With $V_1 = -10V$ and $V_8 = +10V$, the logic input was driven at a 1kHz rate. The positive-going slew rate was $0.3V/\mu s$ which is equivalent to a normal I_{DSS} of 3mA. The negative-going slew rate was $0.7V/\mu s$ which is equivalent to a "reverse" I_{DSS} of 7mA. Note that when switch 1 is first turned "ON" it has a drop of $-20V$ across its terminals. In spite of that fact, the current is limited to approximately twice its normal I_{DSS} .

CROSSTALK AND OFF-ISOLATION

Crosstalk and off-isolation performance is influenced by the type of package selected. Epoxy (P) packaged devices typically exhibit a 12dB improvement in off-isolation ($f = 500kHz$) performance when compared to ceramic (Q) packaged devices. Epoxy packaged devices typically exhibit a 15dB improvement in crosstalk ($f = 500kHz$) performance when compared to ceramic (Q) packaged devices.

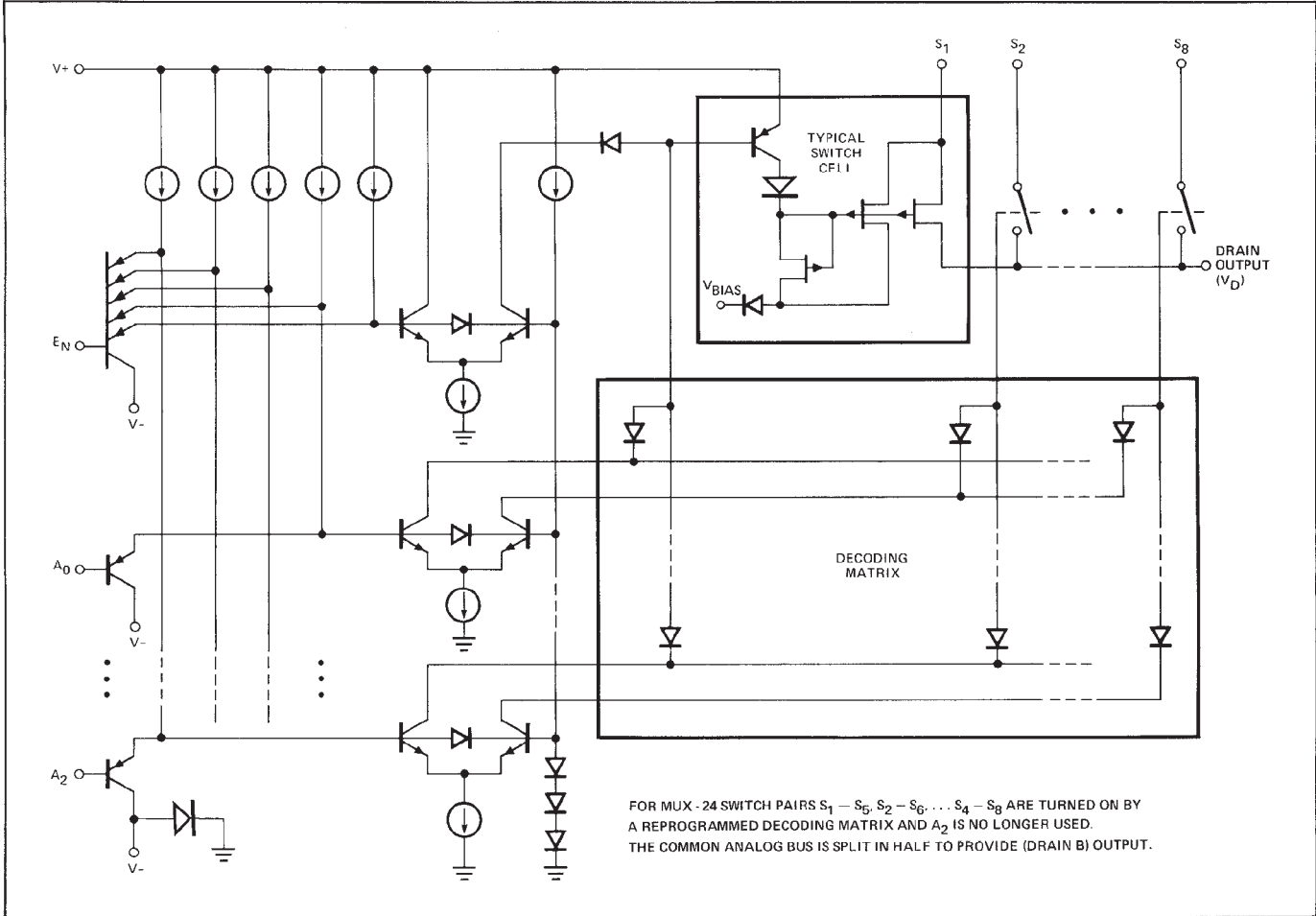
SINGLE SUPPLY OPERATION OF JFET MULTIPLEXERS

PMI's JFET multiplexers will operate from a single positive supply voltage with the negative supply pin at ground potential. The analog signal range will include ground.

For complete single supply operation information, refer to application note, AN-32.

MUX-08

SIMPLIFIED MUX-08 SCHEMATIC

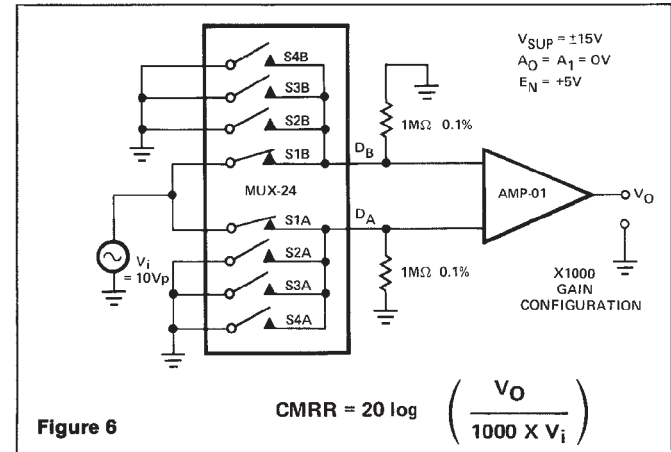


The simplified MUX-08/MUX-24 schematic shows that logic trip points are determined by two forward diode drops. An internal clamping diode between $V-$ and ground prevents excessive current flow between $V+$ and ground in the event that $V-$ becomes open circuit. The decoding matrix is accomplished by a programmed diode array. The switch cell consists of P channel JFET's with appropriate blocking diodes which ruggedizes the circuit's overvoltage and supply loss characteristics.

DIFFERENTIAL MULTIPLEXERS

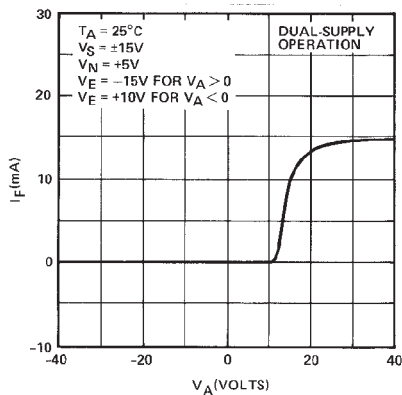
One characteristic unique to differential multiplexers (MUX-24) is the ability to reject common-mode signals from becoming differential error signals. Common-mode rejection is a parameter which defines the amount of rejection in terms of dB. The MUX-24 exhibits a 106dB at 60Hz and 101dB at 400Hz of CMRR using the test circuit of Figure 6.

CMRR TEST CIRCUIT

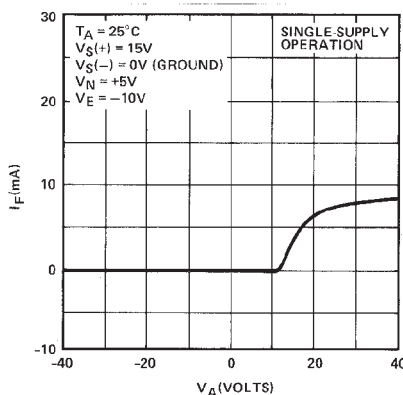


TYPICAL PERFORMANCE CHARACTERISTICS

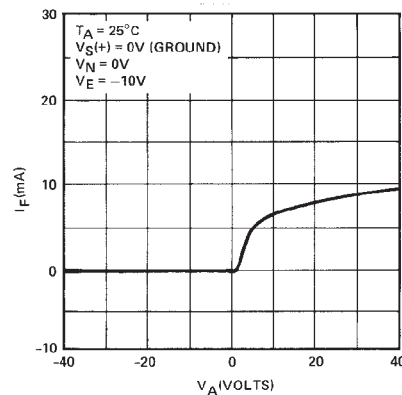
OVERVOLTAGE V-I CHARACTERISTIC



OVERVOLTAGE V-I CHARACTERISTIC



POWER-LOSS V-I CHARACTERISTIC



OVERVOLTAGE/POWER-LOSS MEASUREMENT TEST CIRCUIT

