



November 2015

# MOC3081M, MOC3082M, MOC3083M 6-Pin DIP Zero-Cross Triac Driver Optocoupler (800 Volt Peak)

## Features

- Simplifies Logic Control of 240 VAC Power
- Zero Voltage Crossing to Minimize Conducted and Radiated Line Noise
- 800 V Peak Blocking Voltage
- Superior Static  $dv/dt$ 
  - 1500 V/ $\mu$ s Typical, 600 V/ $\mu$ s Guaranteed
- Safety and Regulatory Approvals
  - UL1577, 4,170 VAC<sub>RMS</sub> for 1 Minute
  - DIN EN/IEC60747-5-5

## Applications

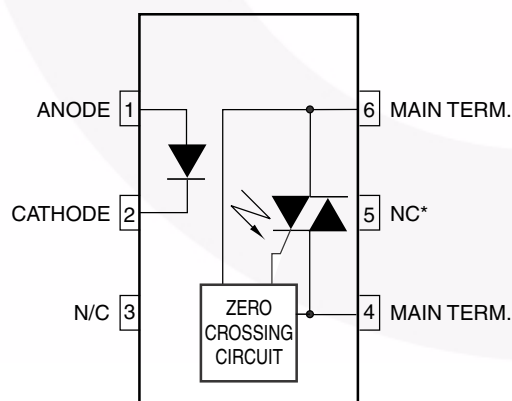
- Solenoid/Valve Controls
- Lighting Controls
- Static Power Switches
- AC Motor Starters
- Temperature Controls
- E.M. Contactors
- AC Motor Drives
- Solid State Relays

## Description

The MOC3081M, MOC3082M and MOC3083M devices consist of a GaAs infrared emitting diode optically coupled to a monolithic silicon detector performing the function of a zero voltage crossing bilateral triac driver.

They are designed for use with a discrete power triac in the interface of logic systems to equipment powered from 240 VAC lines, such as solid-state relays, industrial controls, motors, solenoids and consumer appliances, etc.

## Schematic



\*DO NOT CONNECT  
(TRIAC SUBSTRATE)

Figure 1. Schematic

## Package Outlines

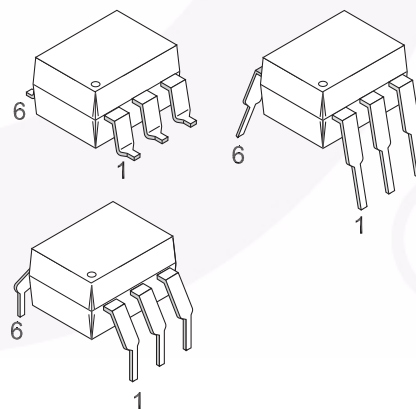


Figure 2. Package Outlines

## Safety and Insulation Ratings

As per DIN EN/IEC 60747-5-5, this optocoupler is suitable for “safe electrical insulation” only within the safety limit data. Compliance with the safety ratings shall be ensured by means of protective circuits.

| Parameter   |                        | Characteristics |
|---|------------------------|-----------------|
| Installation Classifications per DIN VDE 0110/1.89 Table 1, For Rated Mains Voltage | < 150 V <sub>RMS</sub> | I–IV            |
|   | < 300 V <sub>RMS</sub> | I–IV            |
| Climatic Classification   |                        | 40/85/21        |
| Pollution Degree (DIN VDE 0110/1.89)  |                        | 2               |
| Comparative Tracking Index  |                        | 175             |

| Symbol            | Parameter  | Value             | Unit              |
|-------------------|--|-------------------|-------------------|
| V <sub>PR</sub>   | Input-to-Output Test Voltage, Method A, V <sub>IORM</sub> × 1.6 = V <sub>PR</sub> , Type and Sample Test with t <sub>m</sub> = 10 s, Partial Discharge < 5 pC  | 1360              | V <sub>peak</sub> |
|                   | Input-to-Output Test Voltage, Method B, V <sub>IORM</sub> × 1.875 = V <sub>PR</sub> , 100% Production Test with t <sub>m</sub> = 1 s, Partial Discharge < 5 pC | 1594              | V <sub>peak</sub> |
| V <sub>IORM</sub> | Maximum Working Insulation Voltage   | 850               | V <sub>peak</sub> |
| V <sub>IOTM</sub> | Highest Allowable Over-Voltage   | 6000              | V <sub>peak</sub> |
|                   | External Creepage  | ≥ 7               | mm                |
|                   | External Clearance   | ≥ 7               | mm                |
|                   | External Clearance (for Option TV, 0.4" Lead Spacing)  | ≥ 10              | mm                |
| DTI               | Distance Through Insulation (Insulation Thickness)   | ≥ 0.5             | mm                |
| R <sub>IO</sub>   | Insulation Resistance at T <sub>S</sub> , V <sub>IO</sub> = 500 V  | > 10 <sup>9</sup> | Ω                 |

## Absolute Maximum Ratings

Stresses exceeding the absolute maximum ratings may damage the device. The device may not function or be operable above the recommended operating conditions and stressing the parts to these levels is not recommended. In addition, extended exposure to stresses above the recommended operating conditions may affect device reliability. The absolute maximum ratings are stress ratings only.  $T_A = 25^\circ\text{C}$  unless otherwise specified.

| Symbol              | Parameter   | Value              | Unit                 |
|---------------------|---|--------------------|----------------------|
| <b>TOTAL DEVICE</b> |   |                    |                      |
| $T_{STG}$           | Storage Temperature   | -40 to +150        | $^\circ\text{C}$     |
| $T_{OPR}$           | Operating Temperature   | -40 to +85         | $^\circ\text{C}$     |
| $T_J$               | Junction Temperature Range  | -40 to +100        | $^\circ\text{C}$     |
| $T_{SOL}$           | Lead Solder Temperature   | 260 for 10 seconds | $^\circ\text{C}$     |
| $P_D$               | Total Device Power Dissipation at $25^\circ\text{C}$ Ambient        | 250                | mW                   |
|                     | Derate Above $25^\circ\text{C}$                                     | 2.94               | mW/ $^\circ\text{C}$ |
| <b>EMITTER</b>      |   |                    |                      |
| $I_F$               | Continuous Forward Current  | 60                 | mA                   |
| $V_R$               | Reverse Voltage   | 6                  | V                    |
| $P_D$               | Total Power Dissipation at $25^\circ\text{C}$ Ambient               | 120                | mW                   |
|                     | Derate Above $25^\circ\text{C}$                                     | 1.41               | mW/ $^\circ\text{C}$ |
| <b>DETECTOR</b>     |   |                    |                      |
| $V_{DRM}$           | Off-State Output Terminal Voltage                                   | 800                | V                    |
| $I_{TSM}$           | Peak Non-Repetitive Surge Current<br>(Single Cycle 60 Hz Sine Wave) | 1                  | A                    |
| $P_D$               | Total Power Dissipation at $25^\circ\text{C}$ Ambient               | 150                | mW                   |
|                     | Derate Above $25^\circ\text{C}$                                     | 1.76               | mW/ $^\circ\text{C}$ |

## Electrical Characteristics

$T_A = 25^\circ\text{C}$  unless otherwise specified.

### Individual Component Characteristics

| Symbol            | Parameter                                  | Test Conditions                                   | Min. | Typ.  | Max. | Unit                   |
|-------------------|--|---|------|-------|------|------------------------|
| <b>EMITTER</b>    |  |   |      |       |      |                        |
| $V_F$             | Input Forward Voltage                      | $I_F = 30\text{ mA}$                              |      | 1.3   | 1.5  | V                      |
| $I_R$             | Reverse Leakage Current                    | $V_R = 6\text{ V}$                                |      | 0.005 | 100  | $\mu\text{A}$          |
| <b>DETECTOR</b>   |  |   |      |       |      |                        |
| $I_{\text{DRM1}}$ | Peak Blocking Current, Either Direction    | $V_{\text{DRM}} = 800\text{ V}$ , $I_F = 0^{(1)}$ |      | 10    | 500  | nA                     |
| $dv/dt$           | Critical Rate of Rise of Off-State Voltage | $I_F = 0$ (Figure 11) <sup>(2)</sup>              | 600  | 1500  |      | $\text{V}/\mu\text{s}$ |

### Transfer Characteristics

| Symbol          | Parameter                                       | Test Conditions   | Device   | Min. | Typ. | Max. | Unit          |
|-----------------|---|---|----------|------|------|------|---------------|
| $I_{\text{FT}}$ | LED Trigger Current<br>(Rated $I_{\text{FT}}$ ) | Main Terminal<br>Voltage = $3\text{ V}^{(3)}$                                 | MOC3081M |      |      | 15   | mA            |
|                 |   |   | MOC3082M |      |      | 10   |               |
|                 |   |   | MOC3083M |      |      | 5    |               |
| $V_{\text{TM}}$ | Peak On-State Voltage,<br>Either Direction      | $I_{\text{TM}} = 100\text{ mA peak}$ ,<br>$I_F = \text{rated } I_{\text{FT}}$ | All      |      | 1.8  | 3.0  | V             |
| $I_H$           | Holding Current, Either Direction               |   | All      |      | 500  |      | $\mu\text{A}$ |

### Zero Crossing Characteristics

| Symbol            | Parameter  | Test Conditions  | Min. | Typ. | Max. | Unit |
|-------------------|--|--|------|------|------|------|
| $V_{\text{INH}}$  | Inhibit Voltage (MT1-MT2 voltage<br>above which device will not trigger) | $I_F = \text{Rated } I_{\text{FT}}$  |      | 12   | 20   | V    |
| $I_{\text{DRM2}}$ | Leakage in Inhibited<br>State  | $I_F = \text{Rated } I_{\text{FT}}$ ,<br>$V_{\text{DRM}} = 600\text{ V}$ , off-state |      |      | 2    | mA   |

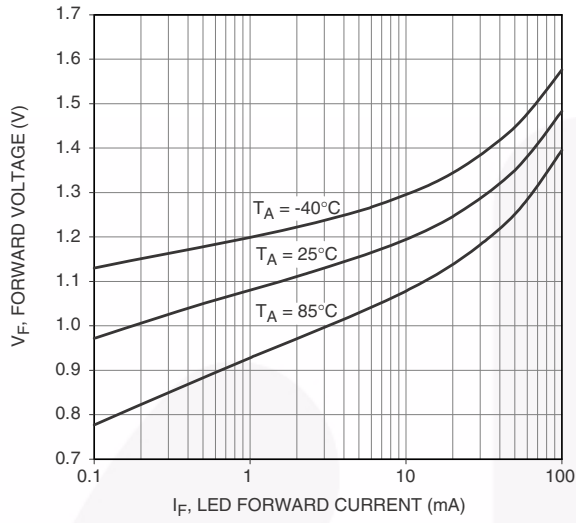
### Isolation Characteristics

| Symbol           | Parameter                        | Test Conditions                             | Min. | Typ.      | Max. | Unit                      |
|------------------|----------------------------------|---|------|-----------|------|---------------------------|
| $V_{\text{ISO}}$ | Isolation Voltage <sup>(4)</sup> | $f = 60\text{ Hz}$ , $t = 1\text{ Minute}$  | 4170 |           |      | $\text{VAC}_{\text{RMS}}$ |
| $R_{\text{ISO}}$ | Isolation Resistance             | $V_{\text{I-O}} = 500\text{ V}_{\text{DC}}$ |      | $10^{11}$ |      | $\Omega$                  |
| $C_{\text{ISO}}$ | Isolation Capacitance            | $V = 0\text{ V}$ , $f = 1\text{ MHz}$       |      | 0.2       |      | pF                        |

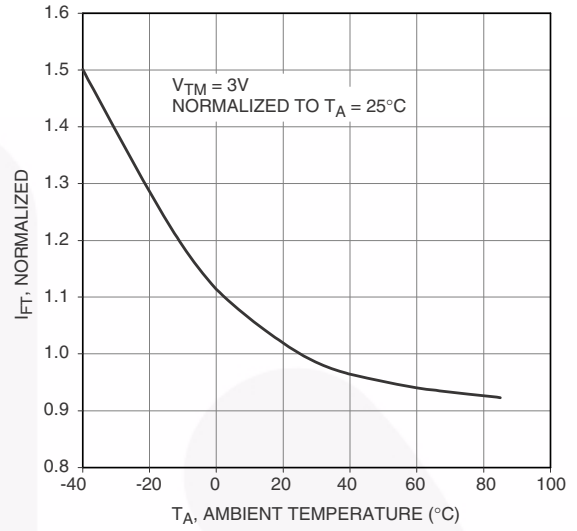
#### Notes:

- Test voltage must be applied within  $dv/dt$  rating.
- This is static  $dv/dt$ . See Figure 11 for test circuit. Commutating  $dv/dt$  is a function of the load-driving thyristor(s) only.
- All devices are guaranteed to trigger at an  $I_F$  value less than or equal to max  $I_{\text{FT}}$ . Therefore, recommended operating  $I_F$  lies between max  $I_{\text{FT}}$  (15 mA for MOC3081M, 10 mA for MOC3082M, 5 mA for MOC3083M) and absolute maximum  $I_F$  (60 mA).
- Isolation voltage,  $V_{\text{ISO}}$ , is an internal device dielectric breakdown rating. For this test, pins 1 and 2 are common, and pins 4, 5 and 6 are common.

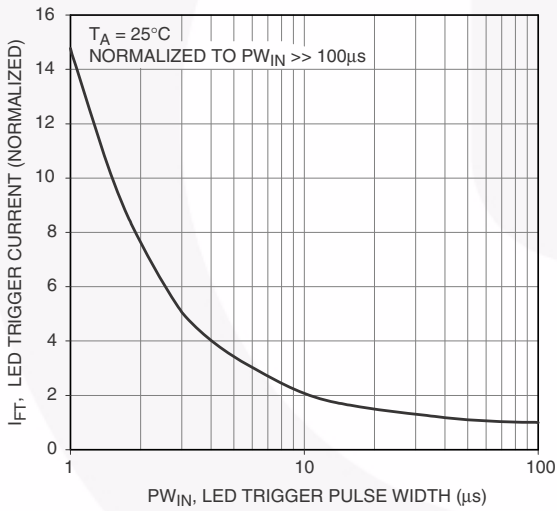
### Typical Performance Curves



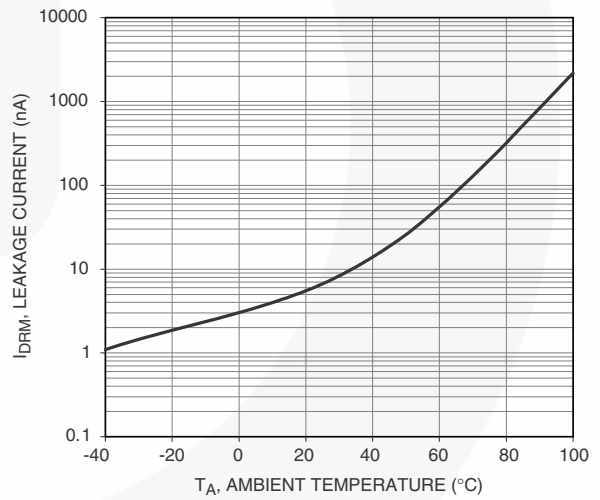
**Figure 3. LED Forward Voltage vs. Forward Current**



**Figure 4. Trigger Current vs. Temperature**



**Figure 5. LED Current Required to Trigger vs. LED Pulse Width**



**Figure 6. Leakage Current,  $I_{DRM}$  vs. Temperature**

### Typical Performance Curves (Continued)

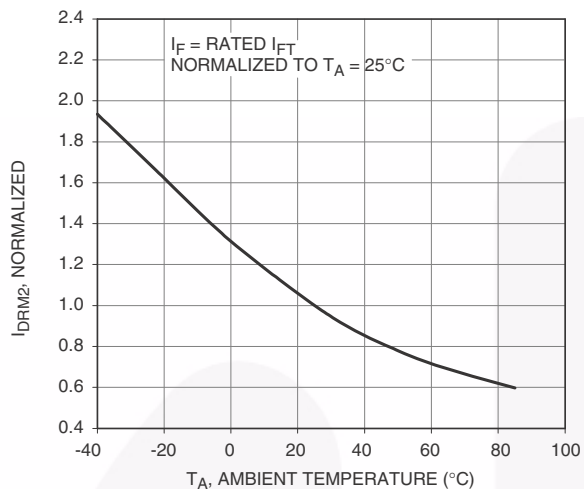


Figure 7.  $I_{DRM2}$ , Leakage in Inhibit State vs. Temperature

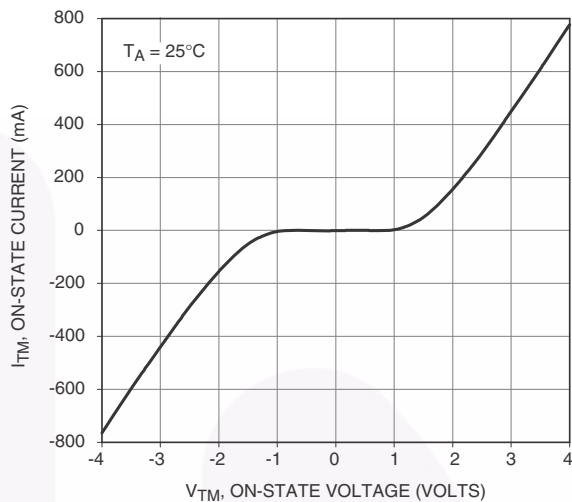


Figure 8. On-State Characteristics

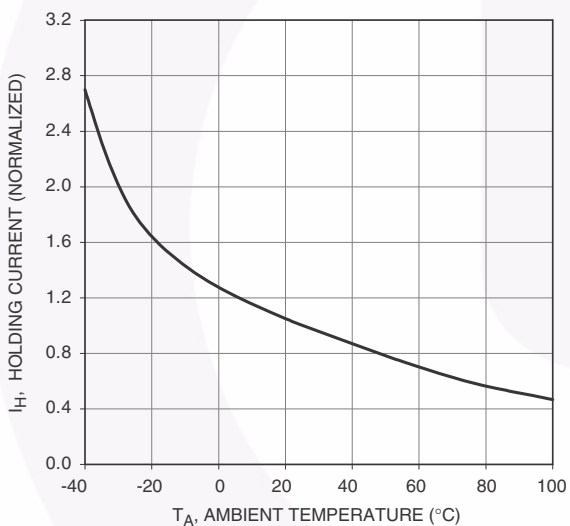


Figure 9.  $I_H$ , Holding Current vs. Temperature

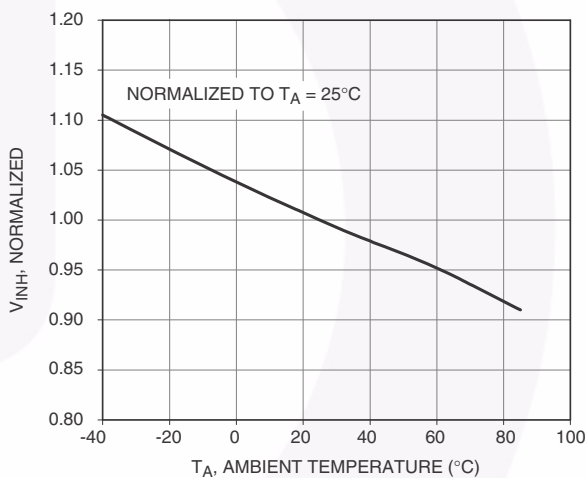


Figure 10. Inhibit Voltage vs. Temperature

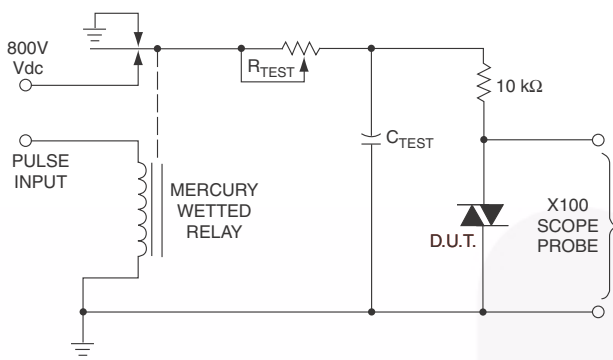


Figure 11. Static dv/dt Test Circuit

1. The mercury wetted relay provides a high speed repeated pulse to the D.U.T.
2. 100x scope probes are used, to allow high speeds and voltages.
3. The worst-case condition for static dv/dt is established by triggering the D.U.T. with a normal LED input current, then removing the current. The variable  $R_{TEST}$  allows the dv/dt to be gradually increased until the D.U.T. continues to trigger in response to the applied voltage pulse, even after the LED current has been removed. The dv/dt is then decreased until the D.U.T. stops triggering.  $\tau_{RC}$  is measured at this point and recorded.

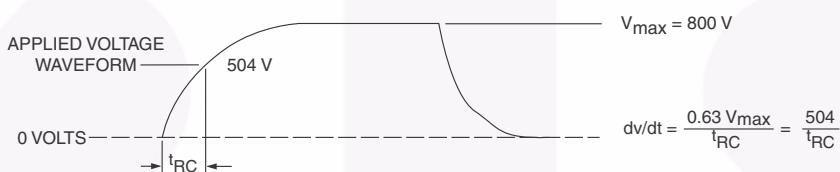
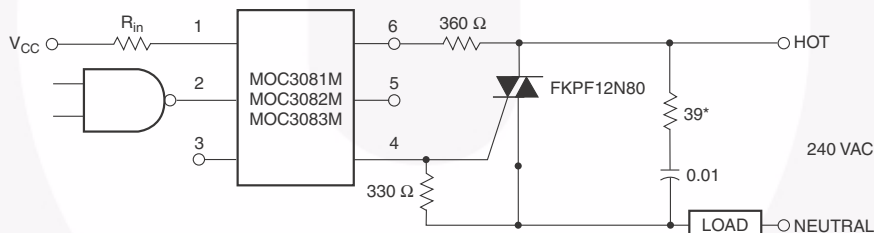


Figure 12. Static dv/dt Test Waveform

Typical circuit for use when hot line switching is required. In this circuit the “hot” side of the line is switched and the load connected to the cold or neutral side. The load may be connected to either the neutral or hot line.

$R_{in}$  is calculated so that  $I_F$  is equal to the rated  $I_{FT}$  of the part, 15 mA for the MOC3081M, 10 mA for the MOC3082M, and 5 mA for the MOC3083M. The 39  $\Omega$  resistor and 0.01  $\mu$ F capacitor are for snubbing of the triac and may or may not be necessary depending upon the particular triac and load use.



\* For highly inductive loads (power factor < 0.5), change this value to 360 $\Omega$ .

Figure 13. Hot-Line Switching Application Circuit

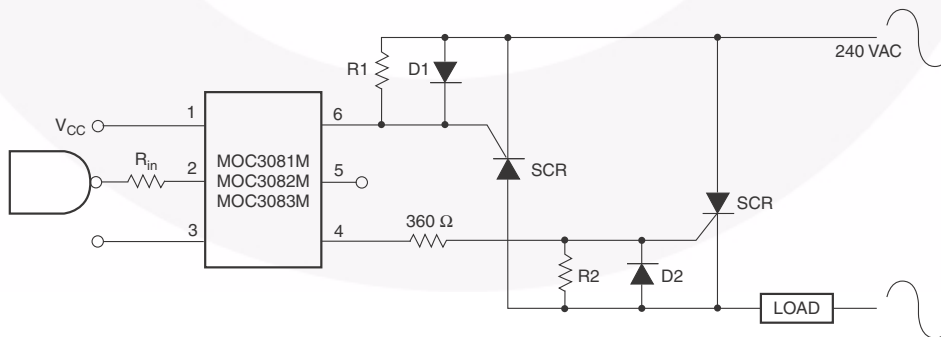
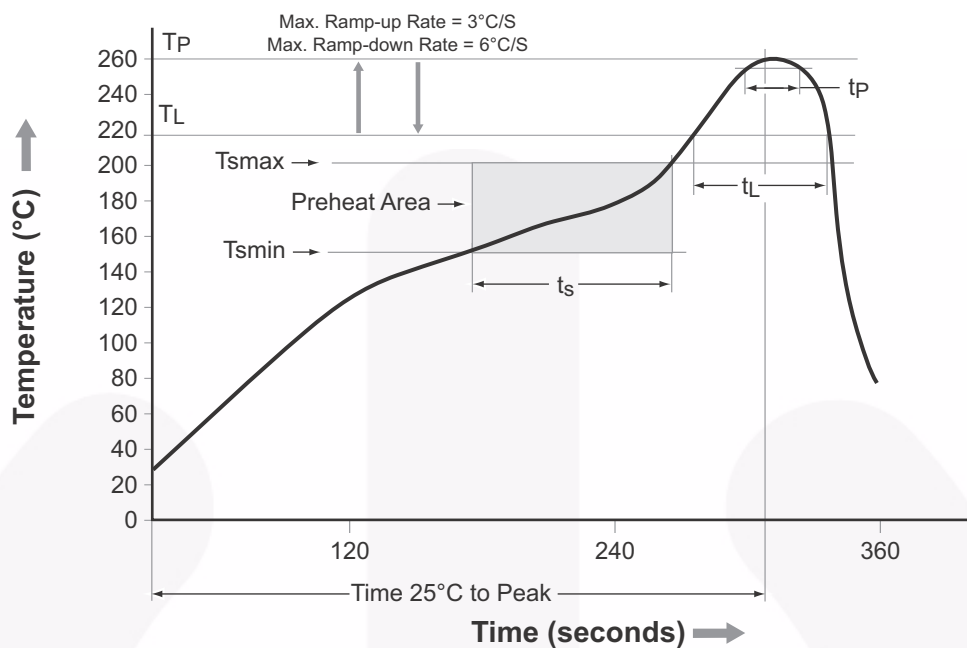


Figure 14. Inverse-Parallel SCR Driver Circuit

Suggested method of firing two, back-to-back SCR's with a Fairchild triac driver. Diodes can be 1N4001; resistors, R1 and R2, are optional 330  $\Omega$ .

**Note:** This optoisolator should not be used to drive a load directly. It is intended to be a trigger device only.

## Reflow Profile



| Profile Feature   | Pb-Free Assembly Profile  |
|---|---------------------------|
| Temperature Minimum (T <sub>smin</sub> )                              | 150°C                     |
| Temperature Maximum (T <sub>smax</sub> )                              | 200°C                     |
| Time (t <sub>s</sub> ) from (T <sub>smin</sub> to T <sub>smax</sub> ) | 60 seconds to 120 seconds |
| Ramp-up Rate (T <sub>L</sub> to T <sub>P</sub> )                      | 3°C/second maximum        |
| Liquidous Temperature (T <sub>L</sub> )                               | 217°C                     |
| Time (t <sub>L</sub> ) Maintained Above (T <sub>L</sub> )             | 60 seconds to 150 seconds |
| Peak Body Package Temperature   | 260°C +0°C / -5°C         |
| Time (t <sub>p</sub> ) within 5°C of 260°C                            | 30 seconds                |
| Ramp-down Rate (T <sub>P</sub> to T <sub>L</sub> )                    | 6°C/second maximum        |
| Time 25°C to Peak Temperature   | 8 minutes maximum         |

Figure 15. Reflow Profile



## Ordering Information<sup>(5)</sup>

| Part Number  | Package  | Packing Method             |
|--------------|--|----------------------------|
| MOC3081M     | DIP 6-Pin  | Tube (50 Units)            |
| MOC3081SM    | SMT 6-Pin (Lead Bend)                                    | Tube (50 Units)            |
| MOC3081SR2M  | SMT 6-Pin (Lead Bend)                                    | Tape and Reel (1000 Units) |
| MOC3081VM    | DIP 6-Pin, DIN EN/IEC60747-5-5 Option                    | Tube (50 Units)            |
| MOC3081SVM   | SMT 6-Pin (Lead Bend), DIN EN/IEC60747-5-5 Option        | Tube (50 Units)            |
| MOC3081SR2VM | SMT 6-Pin (Lead Bend), DIN EN/IEC60747-5-5 Option        | Tape and Reel (1000 Units) |
| MOC3081TVM   | DIP 6-Pin, 0.4" Lead Spacing, DIN EN/IEC60747-5-5 Option | Tube (50 Units)            |

### Note:

5. The product orderable part number system listed in this table also applies to the MOC3082M, and MOC3083M, product families.

## Marking Information

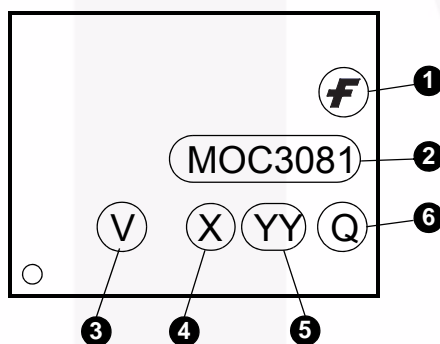


Figure 16. Top Mark

| Top Mark Definitions |   |
|----------------------|---|
| 1                    | Fairchild Logo  |
| 2                    | Device Number   |
| 3                    | DIN EN/IEC60747-5-5 Option (only appears on component ordered with this option) |
| 4                    | One-Digit Year Code, e.g., '5'  |
| 5                    | Two-Digit Work Week, Ranging from '01' to '53'                                  |
| 6                    | Assembly Package Code   |



- NOTES:
- A) NO STANDARD APPLIES TO THIS PACKAGE.
  - B) ALL DIMENSIONS ARE IN MILLIMETERS.
  - C) DIMENSIONS ARE EXCLUSIVE OF BURRS, MOLD FLASH, AND TIE BAR EXTRUSION
  - D) DRAWING FILENAME AND REVISION: MKT-N06BREV4.





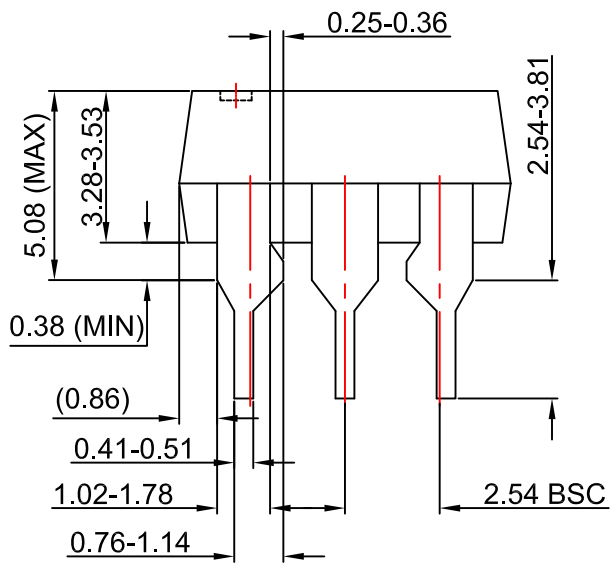
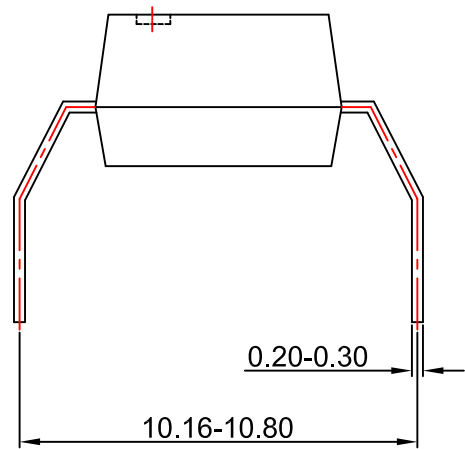
LAND PATTERN RECOMMENDATION



NOTES:

- A) NO STANDARD APPLIES TO THIS PACKAGE.
- B) ALL DIMENSIONS ARE IN MILLIMETERS.
- C) DIMENSIONS ARE EXCLUSIVE OF BURRS, MOLD FLASH, AND TIE BAR EXTRUSION
- D) DRAWING FILENAME AND REVISION : MKT-N06CREV4.





NOTES:

- A) NO STANDARD APPLIES TO THIS PACKAGE.
- B) ALL DIMENSIONS ARE IN MILLIMETERS.
- C) DIMENSIONS ARE EXCLUSIVE OF BURRS, MOLD FLASH, AND TIE BAR EXTRUSION
- D) DRAWING FILENAME AND REVISION: MKT-N06Drev4





**TRADEMARKS**

The following includes registered and unregistered trademarks and service marks, owned by Fairchild Semiconductor and/or its global subsidiaries, and is not intended to be an exhaustive list of all such trademarks.

- AccuPower™
- AttitudeEngine™
- Awinda®
- AX-CAP®\*
- BitSiC™
- Build it Now™
- CorePLUS™
- CorePOWER™
- CROSSVOL™
- CTL™
- Current Transfer Logic™
- DEUXPEED®
- Dual Cool™
- EcoSPARK®
- EfficientMax™
- ESBC™
- F**™
- Fairchild®
- Fairchild Semiconductor®
- FACT Quiet Series™
- FACT®
- FastvCore™
- FETBench™
- FPS™
- F-PFS™
- FRFET®
- Global Power Resource<sup>SM</sup>
- GreenBridge™
- Green FPS™
- Green FPS™ e-Series™
- Gmax™
- GTO™
- IntelliMAX™
- ISOPLANAR™
- Making Small Speakers Sound Louder and Better™
- MegaBuck™
- MICROCOUPLER™
- MicroFET™
- MicroPak™
- MicroPak2™
- MillerDrive™
- MotionMax™
- MotionGrid®
- MTi®
- MTx®
- MVN®
- mWSaver®
- OptoHiT™
- OPTOLOGIC®
- OPTOPLANAR®
- ™
- Power Supply WebDesigner™
- PowerTrench®
- PowerXS™
- Programmable Active Droop™
- QFET®
- QS™
- Quiet Series™
- RapidConfigure™
- ™
- Saving our world, 1mW/W/kW at a time™
- SignalWise™
- SmartMax™
- SMART START™
- Solutions for Your Success™
- SPM®
- STEALTH™
- SuperFET®
- SuperSOT™-3
- SuperSOT™-6
- SuperSOT™-8
- SupreMOS®
- SyncFET™
- Sync-Lock™
- ™
- TinyBoost®
- TinyBuck®
- TinyCalc™
- TinyLogic®
- TINYOPTO™
- TinyPower™
- TinyPWM™
- TinyWire™
- TranSiC™
- TriFault Detect™
- TRUECURRENT®\*
- μSerDes™
- ™
- UHC®
- Ultra FRFET™
- UniFET™
- VcX™
- VisualMax™
- VoltagePlus™
- XS™
- Xsens™
- 仙童®

\* Trademarks of System General Corporation, used under license by Fairchild Semiconductor.

**DISCLAIMER**

FAIRCHILD SEMICONDUCTOR RESERVES THE RIGHT TO MAKE CHANGES WITHOUT FURTHER NOTICE TO ANY PRODUCTS HEREIN TO IMPROVE RELIABILITY, FUNCTION, OR DESIGN. TO OBTAIN THE LATEST, MOST UP-TO-DATE DATASHEET AND PRODUCT INFORMATION, VISIT OUR WEBSITE AT [HTTP://WWW.FAIRCHILDSEMI.COM](http://www.fairchildsemi.com). FAIRCHILD DOES NOT ASSUME ANY LIABILITY ARISING OUT OF THE APPLICATION OR USE OF ANY PRODUCT OR CIRCUIT DESCRIBED HEREIN; NEITHER DOES IT CONVEY ANY LICENSE UNDER ITS PATENT RIGHTS, NOR THE RIGHTS OF OTHERS. THESE SPECIFICATIONS DO NOT EXPAND THE TERMS OF FAIRCHILD'S WORLDWIDE TERMS AND CONDITIONS, SPECIFICALLY THE WARRANTY THEREIN, WHICH COVERS THESE PRODUCTS.

**AUTHORIZED USE**

Unless otherwise specified in this data sheet, this product is a standard commercial product and is not intended for use in applications that require extraordinary levels of quality and reliability. This product may not be used in the following applications, unless specifically approved in writing by a Fairchild officer: (1) automotive or other transportation, (2) military/aerospace, (3) any safety critical application – including life critical medical equipment – where the failure of the Fairchild product reasonably would be expected to result in personal injury, death or property damage. Customer's use of this product is subject to agreement of this Authorized Use policy. In the event of an unauthorized use of Fairchild's product, Fairchild accepts no liability in the event of product failure. In other respects, this product shall be subject to Fairchild's Worldwide Terms and Conditions of Sale, unless a separate agreement has been signed by both Parties.

**ANTI-COUNTERFEITING POLICY**

Fairchild Semiconductor Corporation's Anti-Counterfeiting Policy. Fairchild's Anti-Counterfeiting Policy is also stated on our external website, [www.fairchildsemi.com](http://www.fairchildsemi.com), under Terms of Use

Counterfeiting of semiconductor parts is a growing problem in the industry. All manufacturers of semiconductor products are experiencing counterfeiting of their parts. Customers who inadvertently purchase counterfeit parts experience many problems such as loss of brand reputation, substandard performance, failed applications, and increased cost of production and manufacturing delays. Fairchild is taking strong measures to protect ourselves and our customers from the proliferation of counterfeit parts. Fairchild strongly encourages customers to purchase Fairchild parts either directly from Fairchild or from Authorized Fairchild Distributors who are listed by country on our web page cited above. Products customers buy either from Fairchild directly or from Authorized Fairchild Distributors are genuine parts, have full traceability, meet Fairchild's quality standards for handling and storage and provide access to Fairchild's full range of up-to-date technical and product information. Fairchild and our Authorized Distributors will stand behind all warranties and will appropriately address any warranty issues that may arise. Fairchild will not provide any warranty coverage or other assistance for parts bought from Unauthorized Sources. Fairchild is committed to combat this global problem and encourage our customers to do their part in stopping this practice by buying direct or from authorized distributors.

**PRODUCT STATUS DEFINITIONS**

**Definition of Terms**

| Datasheet Identification | Product Status        | Definition  |
|--------------------------|-----------------------|---|
| Advance Information      | Formative / In Design | Datasheet contains the design specifications for product development. Specifications may change in any manner without notice.   |
| Preliminary              | First Production      | Datasheet contains preliminary data; supplementary data will be published at a later date. Fairchild Semiconductor reserves the right to make changes at any time without notice to improve design. |
| No Identification Needed | Full Production       | Datasheet contains final specifications. Fairchild Semiconductor reserves the right to make changes at any time without notice to improve the design.   |
| Obsolete                 | Not In Production     | Datasheet contains specifications on a product that is discontinued by Fairchild Semiconductor. The datasheet is for reference information only.  |

Rev. I77