

PLEASE CHECK WWW.MOLEX.COM FOR LATEST PART INFORMATION

Part Number: [0039012021](#)
Status: **Active**
Overview: [Mini-Fit Jr.™ Power Connectors](#)
Description: [Mini-Fit Jr.™ Plug Housing, Dual Row, 2 Circuits, UL 94V-2, Natural](#)

Documents:

[3D Model](#) [Packaging Specification PK-5559-001 \(PDF\)](#)
[Drawing \(PDF\)](#) [RoHS Certificate of Compliance \(PDF\)](#)
[Product Specification PS-5556-001 \(PDF\)](#)

Agency Certification

CSA LR19980
 UL E29179

General

Product Family Crimp Housings
 Series 5559
 Application Power, Wire-to-Board, Wire-to-Wire
 Comments Current = 13A max. per circuit when header is mated to a receptacle loaded with [45750](#) series terminals crimped to 16 AWG wire. . See Molex product specification PS-45750-001 for additional current derating information.. Glow Wire Equivalent Part.
 MolexKits Yes
 Overview [Mini-Fit Jr.™ Power Connectors](#)
 Product Name Mini-Fit Jr.™
 UPC 800753584266

Physical

Breakaway No
 Circuits (maximum) 2
 Color - Resin Natural
 Flammability 94V-2
 Gender Plug
 Glow-Wire Compliant No
 Material - Resin Nylon
 Net Weight 1.237/g
 Number of Rows 2
 Packaging Type Bag
 Panel Mount Yes
 Pitch - Mating Interface 4.20mm
 Pitch - Termination Interface 4.20mm
 Polarized to Mating Part Yes
 Stackable No
 Temperature Range - Operating -40°C to +105°C

Electrical

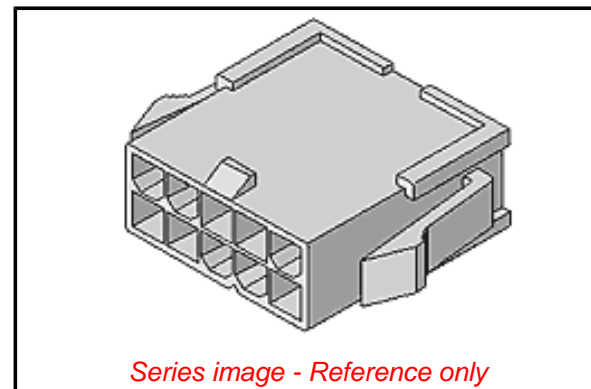
Current - Maximum per Contact 13.0A

Material Info

Engineering Number 5559-02P

Reference - Drawing Numbers

Packaging Specification PK-5559-001
 Product Specification PS-5556-001
 Sales Drawing SD-5559-NP



EU ELV

Not Relevant

EU RoHS

Compliant

REACH SVHC

Not Contained Per - ED/21/2016 (20 June 2016)

Halogen-Free

Status

Low-Halogen

Need more information on product environmental compliance?

Email productcompliance@molex.com
 Please visit the [Contact Us](#) section for any non-product compliance questions.

China ROHS

ELV

Green Image

Not Relevant

Search Parts in this Series

[5559](#) Series

Mates With

Dual Row Receptacle Housing [5557](#)

Mini-Fit Jr.™ TPA Cable Assembly [45135](#)

Use With

[5558](#) , [30490](#) Male Terminal

This document was generated on 09/02/2016

PLEASE CHECK WWW.MOLEX.COM FOR LATEST PART INFORMATION