

10'' wall/desk mountable bracket



10'' wall/desk mountable bracket (MB1U/10)

This bracket can be used for wall or desk mounting of a 10'' wide 1U device. The hinges facilitate easy assembly and flexible installation while the cover helps to protect against dust and can be used as utility space. Ideal for attaching TUK's empty 10'' keystone panel fitted with TUK's wide variety of keystones.

Features

- Slim, robust and compact design for a cost effective and flexible solution for mounting of 10'' devices on desks, tables, furniture or walls
- Designed with hinges to provide easy rear access during installation or maintenance
- Cover plate helps to reduce dust ingress and protects the installation
- Easily mountable side by side
- Supplied with 4 mounting screws
- Suitable for all devices with 1U height and maximum 7cm depth
- For installation with TUK's 10'' empty keystone panel (FFK12mt/10)
http://www.tuk.co.uk/tuk_live/product_details.php?category_id=16&pld=238
And TUK's wide range of keystone connectors including: - Cat 5e, Cat 6, Cat 6a, Fibre, BNC and HDMI
http://www.tuk.co.uk/tuk_live/product_details.php?category_id=15&pld=205

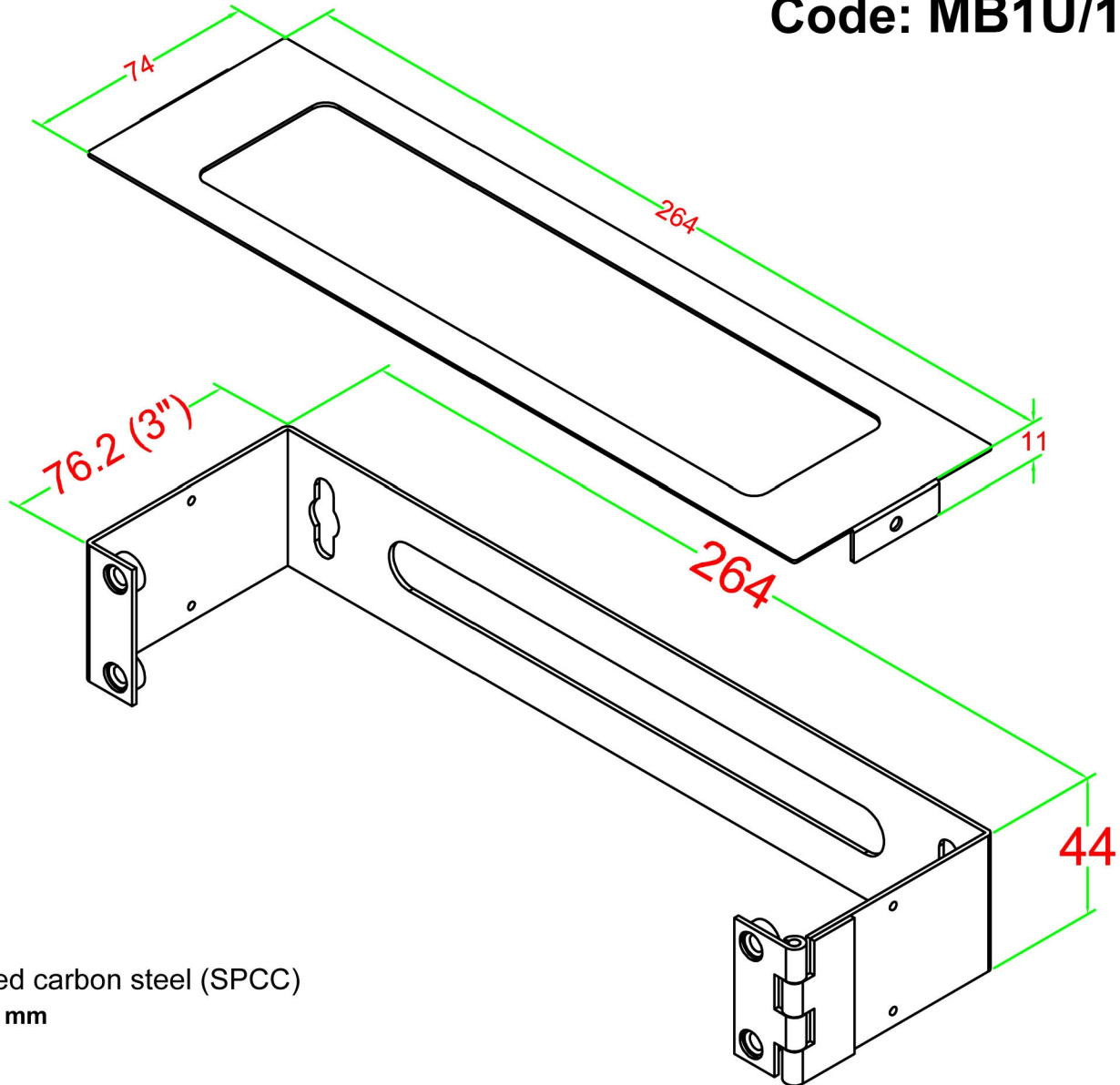


Specifications

- Weight: approx. 392g
- Dimensions (LxWxH): approx. 264 x 76 x 44 mm
- Colour: black
- Material: cold rolled carbon steel (SPCC)

ROHS Compliant

Code: MB1U/10



Material: cold rolled carbon steel (SPCC)

Unit of measurement: mm