



Is Now Part of



ON Semiconductor®

To learn more about ON Semiconductor, please visit our website at
www.onsemi.com

ON Semiconductor and the ON Semiconductor logo are trademarks of Semiconductor Components Industries, LLC dba ON Semiconductor or its subsidiaries in the United States and/or other countries. ON Semiconductor owns the rights to a number of patents, trademarks, copyrights, trade secrets, and other intellectual property. A listing of ON Semiconductor's product/patent coverage may be accessed at www.onsemi.com/site/pdf/Patent-Marking.pdf. ON Semiconductor reserves the right to make changes without further notice to any products herein. ON Semiconductor makes no warranty, representation or guarantee regarding the suitability of its products for any particular purpose, nor does ON Semiconductor assume any liability arising out of the application or use of any product or circuit, and specifically disclaims any and all liability, including without limitation special, consequential or incidental damages. Buyer is responsible for its products and applications using ON Semiconductor products, including compliance with all laws, regulations and safety requirements or standards, regardless of any support or applications information provided by ON Semiconductor. "Typical" parameters which may be provided in ON Semiconductor data sheets and/or specifications can and do vary in different applications and actual performance may vary over time. All operating parameters, including "Typicals" must be validated for each customer application by customer's technical experts. ON Semiconductor does not convey any license under its patent rights nor the rights of others. ON Semiconductor products are not designed, intended, or authorized for use as a critical component in life support systems or any FDA Class 3 medical devices or medical devices with a same or similar classification in a foreign jurisdiction or any devices intended for implantation in the human body. Should Buyer purchase or use ON Semiconductor products for any such unintended or unauthorized application, Buyer shall indemnify and hold ON Semiconductor and its officers, employees, subsidiaries, affiliates, and distributors harmless against all claims, costs, damages, and expenses, and reasonable attorney fees arising out of, directly or indirectly, any claim of personal injury or death associated with such unintended or unauthorized use, even if such claim alleges that ON Semiconductor was negligent regarding the design or manufacture of the part. ON Semiconductor is an Equal Opportunity/Affirmative Action Employer. This literature is subject to all applicable copyright laws and is not for resale in any manner.



October 2014

CNY171M, CNY172M, CNY173M, CNY174M, CNY17F1M, CNY17F2M, CNY17F3M, CNY17F4M, MOC8106M 6-Pin DIP High BV_{CEO} Phototransistor Optocouplers

Features

- High BV_{CEO} : 70 V Minimum (CNY17XM, CNY17FXM, MOC8106M)
- Closely Matched Current Transfer Ratio (CTR) Minimizes Unit-to-Unit Variation
- Current Transfer Ratio In Select Groups
- Very Low Coupled Capacitance Along With No Chip-to-Pin 6 Base Connection for Minimum Noise Susceptability (CNY17FXM, MOC8106M)
- Safety and Regulatory Approvals:
 - UL1577, 4,170 VAC_{RMS} for 1 Minute
 - DIN-EN/IEC60747-5-5, 850 V Peak Working Insulation Voltage

Applications

- Power Supply Regulators
- Digital Logic Inputs
- Microprocessor Inputs
- Appliance Sensor Systems
- Industrial Controls

Description

The CNY17XM, CNY17FXM, and MOC8106M devices consist of a gallium arsenide infrared emitting diode coupled with an NPN phototransistor in a dual in-line package.

Package Outlines



Figure 1. Package Outlines

Schematics



Figure 2. Schematics

CNY17XM, CNY17FXM, MOC8106M — 6-Pin DIP High BV_{CEO} Phototransistor Optocouplers

Safety and Insulation Ratings

As per DIN EN/IEC 60747-5-5, this optocoupler is suitable for “safe electrical insulation” only within the safety limit data. Compliance with the safety ratings shall be ensured by means of protective circuits.

| Parameter | | Characteristics |
|---|------------------------|-----------------|
| Installation Classifications per DIN VDE 0110/1.89 Table 1, For Rated Mains Voltage | < 150 V _{RMS} | I–IV |
| | < 300 V _{RMS} | I–IV |
| Climatic Classification | | 55/100/21 |
| Pollution Degree (DIN VDE 0110/1.89) | | 2 |
| Comparative Tracking Index | | 175 |

| Symbol | Parameter | Value | Unit |
|-----------------------|--|-------------------|-------------------|
| V _{PR} | Input-to-Output Test Voltage, Method A, V _{IORM} × 1.6 = V _{PR} , Type and Sample Test with t _m = 10 s, Partial Discharge < 5 pC | 1360 | V _{peak} |
| | Input-to-Output Test Voltage, Method B, V _{IORM} × 1.875 = V _{PR} , 100% Production Test with t _m = 1 s, Partial Discharge < 5 pC | 1594 | V _{peak} |
| V _{IORM} | Maximum Working Insulation Voltage | 850 | V _{peak} |
| V _{IOTM} | Highest Allowable Over-Voltage | 6000 | V _{peak} |
| | External Creepage | ≥ 7 | mm |
| | External Clearance | ≥ 7 | mm |
| | External Clearance (for Option TV, 0.4" Lead Spacing) | ≥ 10 | mm |
| DTI | Distance Through Insulation (Insulation Thickness) | ≥ 0.5 | mm |
| T _S | Case Temperature ⁽¹⁾ | 175 | °C |
| I _{S,INPUT} | Input Current ⁽¹⁾ | 350 | mA |
| P _{S,OUTPUT} | Output Power ⁽¹⁾ | 800 | mW |
| R _{IO} | Insulation Resistance at T _S , V _{IO} = 500 V ⁽¹⁾ | > 10 ⁹ | Ω |

Note:

1. Safety limit values – maximum values allowed in the event of a failure.

Absolute Maximum Ratings

Stresses exceeding the absolute maximum ratings may damage the device. The device may not function or be operable above the recommended operating conditions and stressing the parts to these levels is not recommended. In addition, extended exposure to stresses above the recommended operating conditions may affect device reliability. The absolute maximum ratings are stress ratings only.

| Symbol | Parameters | Value | Units |
|---------------------|--|--------------------|-------|
| TOTAL DEVICE | | | |
| T _{STG} | Storage Temperature | -40 to +125 | °C |
| T _A | Ambient Operating Temperature | -40 to +100 | °C |
| T _J | Junction Temperature | -40 to +125 | °C |
| T _{SOL} | Lead Solder Temperature | 260 for 10 seconds | °C |
| P _D | Total Device Power Dissipation @ 25°C (LED plus detector) Derate Linearly From 25°C | 270 | mW |
| | | 2.94 | mW/°C |
| EMITTER | | | |
| I _F | Continuous Forward Current | 60 | mA |
| V _R | Reverse Voltage | 6 | V |
| I _F (pk) | Forward Current – Peak (1 μs pulse, 300 pps) | 1.5 | A |
| P _D | LED Power Dissipation 25°C Ambient Derate Linearly From 25°C | 120 | mW |
| | | 1.41 | mW/°C |
| DETECTOR | | | |
| I _C | Continuous Collector Current | 50 | mA |
| V _{CEO} | Collector-Emitter Voltage | 70 | V |
| V _{ECO} | Emitter Collector Voltage | 7 | V |
| P _D | Detector Power Dissipation @ 25°C Derate Linearly from 25°C | 150 | mW |
| | | 1.76 | mW/°C |

Electrical Characteristics

$T_A = 25^\circ\text{C}$ unless otherwise specified.

Individual Component Characteristics

| Symbol | Parameters | Test Conditions | Device | Min. | Typ. | Max. | Units |
|-----------------|---|---|-------------------|------|-------|------|---------------|
| EMITTER | | | | | | | |
| V_F | Input Forward Voltage | $I_F = 10\text{ mA}$ | All Devices | 1.0 | 1.15 | 1.50 | V |
| | | $I_F = 60\text{ mA}$ | CNY17XM, CNY17FXM | 1.0 | 1.35 | 1.65 | v |
| C_J | Capacitance | $V_F = 0\text{ V}, f = 1.0\text{ MHz}$ | All Devices | | 18 | | pF |
| I_R | Reverse Leakage Current | $V_R = 6\text{ V}$ | All Devices | | 0.001 | 10 | μA |
| DETECTOR | | | | | | | |
| BV_{CEO} | Breakdown Voltage Collector-to-Emitter | $I_C = 1\text{ mA}, I_F = 0$ | All Devices | 70 | 100 | | V |
| | | | CNY17XM | 70 | 120 | | V |
| BV_{CBO} | Collector-to-Base | $I_C = 10\text{ }\mu\text{A}, I_F = 0$ | CNY17XM | 70 | 120 | | V |
| BV_{ECO} | Emitter-to-Collector | $I_E = 100\text{ }\mu\text{A}, I_F = 0$ | All Devices | 7 | 10 | | V |
| I_{CEO} | Leakage Current Collector-to-Emitter | $V_{CE} = 10\text{ V}, I_F = 0$ | All Devices | | 1 | 50 | nA |
| | | | CNY17XM | | | 20 | nA |
| I_{CBO} | Collector-to-Base | $V_{CB} = 10\text{ V}, I_F = 0$ | CNY17XM | | | 20 | nA |
| C_{CE} | Capacitance Collector-to-Emitter | $V_{CE} = 0, f = 1\text{ MHz}$ | All Devices | | 8 | | pF |
| | | | CNY17XM | | 20 | | pF |
| | | | CNY17XM | | 10 | | pF |
| C_{CB} | Collector-to-Base | $V_{CB} = 0, f = 1\text{ MHz}$ | CNY17XM | | 20 | | pF |
| C_{EB} | Emitter-to-Base | $V_{EB} = 0, f = 1\text{ MHz}$ | CNY17XM | | 10 | | pF |

Transfer Characteristics

| Symbol | Parameters | Test Conditions | Device | Min. | Typ. | Max. | Units |
|----------------|--------------------------------------|--|-------------------|------|------|------|-------|
| COUPLED | | | | | | | |
| CTR | Current Transfer Ratio | $I_F = 10\text{ mA}, V_{CE} = 10\text{ V}$ | MOC8106M | 50 | | 150 | % |
| | | $I_F = 10\text{ mA}, V_{CE} = 5\text{ V}$ | CNY171M, CNY17F1M | 40 | | 80 | % |
| | | $I_F = 10\text{ mA}, V_{CE} = 5\text{ V}$ | CNY172M, CNY17F2M | 63 | | 125 | % |
| | | $I_F = 10\text{ mA}, V_{CE} = 5\text{ V}$ | CNY173M, CNY17F3M | 100 | | 200 | % |
| | | $I_F = 10\text{ mA}, V_{CE} = 5\text{ V}$ | CNY174M, CNY17F4M | 160 | | 320 | % |
| $V_{CE(SAT)}$ | Collector-Emitter Saturation Voltage | $I_C = 0.5\text{ mA}, I_F = 5\text{ mA}$ | MOC8106M | | | 0.4 | V |
| | | $I_C = 2.5\text{ mA}, I_F = 10\text{ mA}$ | CNY17XM/CNY17FXM | | | 0.4 | V |

Electrical Characteristics (Continued)

T_A = 25°C unless otherwise specified.

AC Characteristics

| Symbol | Parameters | Test Conditions | Device | Min. | Typ. | Max. | Units |
|-------------------------------------|---------------|---|-----------------------------------|------|------|------|-------|
| NON-SATURATED SWITCHING TIME | | | | | | | |
| t _{on} | Turn-On Time | I _C = 2.0 mA, V _{CC} = 10 V, R _L = 100 Ω | All Devices | | 2.0 | 10.0 | μs |
| t _{off} | Turn-Off Time | I _C = 2.0 mA, V _{CC} = 10 V, R _L = 100 Ω | All Devices | | 3.0 | 10.0 | μs |
| t _d | Delay Time | I _F = 10 mA, V _{CC} = 5 V, R _L = 75 Ω | CNY17XM/CNY17FXM | | | 5.6 | μs |
| t _r | Rise Time | I _F = 10 mA, V _{CC} = 5 V, R _L = 75 Ω | CNY17XM/CNY17FXM | | | 4.0 | μs |
| t _s | Storage Time | I _F = 10 mA, V _{CC} = 5 V, R _L = 75 Ω | CNY17XM/CNY17FXM | | | 4.1 | μs |
| t _f | Fall Time | I _F = 10 mA, V _{CC} = 5 V, R _L = 75 Ω | CNY17XM/CNY17FXM | | | 3.5 | μs |
| SATURATED SWITCHING TIMES | | | | | | | |
| t _d | Delay Time | I _F = 20 mA, V _{CC} = 5 V, R _L = 1 kΩ | CNY171M/F1M | | | 5.5 | μs |
| | | I _F = 10 mA, V _{CC} = 5 V, R _L = 1 kΩ | CNY172M/3M/4M CNY17F2M/F3M/F4M | | | 8.0 | μs |
| t _r | Rise Time | I _F = 20 mA, V _{CC} = 5 V, R _L = 1 kΩ | CNY171M/F1M | | | 4.0 | μs |
| | | I _F = 10 mA, V _{CC} = 5 V, R _L = 1 kΩ | CNY172M/3M/4M CNY17F2M/F3M/F4M | | | 6.0 | μs |
| t _s | Storage Time | I _F = 20 mA, V _{CC} = 5 V, R _L = 1 kΩ | CNY171M/F1M | | | 34.0 | μs |
| | | I _F = 10 mA, V _{CC} = 5 V, R _L = 1 kΩ | CNY172M/3M/4M CNY17F2M/F3M/F4M | | | 39.0 | μs |
| t _f | Fall Time | I _F = 20 mA, V _{CC} = 5 V, R _L = 1 kΩ | CNY171M/F1M | | | 20.0 | μs |
| | | I _F = 10 mA, V _{CC} = 5 V, R _L = 1 kΩ | CNY172M/3M/4M CNY17F2M/F3M/F4M | | | 24.0 | μs |

Isolation Characteristics

| Symbol | Characteristic | Test Conditions | Min. | Typ. | Max. | Units |
|------------------|--------------------------------|--|------------------|------|------|--------------------|
| V _{ISO} | Input-Output Isolation Voltage | t = 1 Minute | 4170 | | | V _{ACRMS} |
| C _{ISO} | Isolation Capacitance | V _{I-O} = 0 V, f = 1 MHz | | 0.2 | | pF |
| R _{ISO} | Isolation Resistance | V _{I-O} = ±500 VDC, T _A = 25°C | 10 ¹¹ | | | Ω |

Typical Performance Characteristics



Figure 3. Normalized CTR vs. Forward Current



Figure 4. Normalized CTR vs. Ambient Temperature



Figure 5. CTR vs. R_{BE} (Unsaturated)

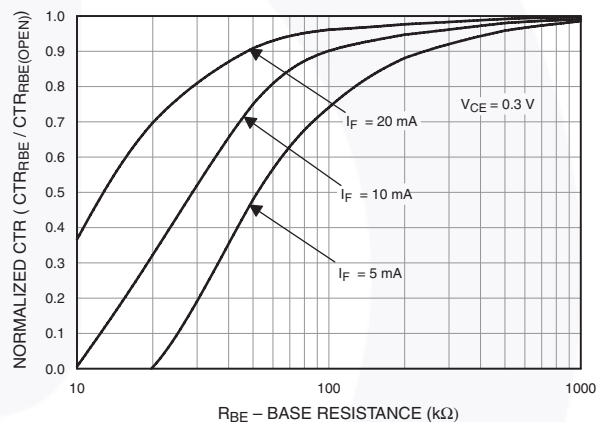


Figure 6. CTR vs. R_{BE} (Saturated)



Figure 7. Switching Speed vs. Load Resistor



Figure 8. Normalized t_{on} vs. R_{BE}

Typical Performance Characteristics (Continued)



Figure 9. Normalized t_{off} vs. R_{BE}



Figure 10. LED Forward Voltage vs. Forward Current



Figure 11. Collector-Emitter Saturation Voltage vs. Collector Current

Switching Test Circuit and Waveforms



Figure 12. Switching Test Circuit and Waveforms

Reflow Profile



Figure 13. Reflow Profile

Ordering Information

| Part Number | Package | Packing Method |
|-------------|--|----------------------------|
| CNY171M | DIP 6-Pin | Tube (50 Units) |
| CNY171SM | SMT 6-Pin (Lead Bend) | Tube (50 Units) |
| CNY171SR2M | SMT 6-Pin (Lead Bend) | Tape and Reel (1000 Units) |
| CNY171TM | DIP 6-Pin, 0.4" Lead Spacing | Tube (50 Units) |
| CNY171VM | DIP 6-Pin, DIN EN/IEC60747-5-5 Option | Tube (50 Units) |
| CNY171SVM | SMT 6-Pin (Lead Bend), DIN EN/IEC60747-5-5 Option | Tube (50 Units) |
| CNY171SR2VM | SMT 6-Pin (Lead Bend), DIN EN/IEC60747-5-5 Option | Tape and Reel (1000 Units) |
| CNY171TVM | DIP 6-Pin, 0.4" Lead Spacing, DIN EN/IEC60747-5-5 Option | Tube (50 Units) |

Note:

2. The product orderable part number system listed in this table also applies to the CNY17FXM product family and the MOC8106M device.

Marking Information

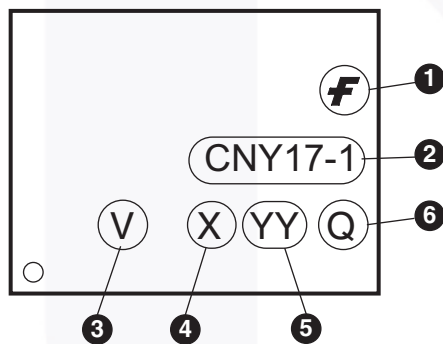


Figure 14. Top Mark

Table 1. Top Mark Definitions

| | |
|---|---|
| 1 | Fairchild Logo |
| 2 | Device Number |
| 3 | DIN EN/IEC60747-5-5 Option (only appears on component ordered with this option) |
| 4 | One-Digit Year Code, e.g., "4" |
| 5 | Digit Work Week, Ranging from "01" to "53" |
| 6 | Assembly Package Code |



NOTES:

- A) NO STANDARD APPLIES TO THIS PACKAGE.
- B) ALL DIMENSIONS ARE IN MILLIMETERS.
- C) DIMENSIONS ARE EXCLUSIVE OF BURRS, MOLD FLASH, AND TIE BAR EXTRUSION
- D) DRAWING FILENAME AND REVISION: MKT-N06BREV4.





LAND PATTERN RECOMMENDATION



NOTES:

- A) NO STANDARD APPLIES TO THIS PACKAGE.
- B) ALL DIMENSIONS ARE IN MILLIMETERS.
- C) DIMENSIONS ARE EXCLUSIVE OF BURRS, MOLD FLASH, AND TIE BAR EXTRUSION
- D) DRAWING FILENAME AND REVISION : MKT-N06CREV4.





NOTES:

- A) NO STANDARD APPLIES TO THIS PACKAGE.
- B) ALL DIMENSIONS ARE IN MILLIMETERS.
- C) DIMENSIONS ARE EXCLUSIVE OF BURRS, MOLD FLASH, AND TIE BAR EXTRUSION
- D) DRAWING FILENAME AND REVISION: MKT-N06Drev4





TRADEMARKS

The following includes registered and unregistered trademarks and service marks, owned by Fairchild Semiconductor and/or its global subsidiaries, and is not intended to be an exhaustive list of all such trademarks.

- AccuPower™
- AttitudeEngine™
- Awinda®
- AX-CAP®*
- BitSiC™
- Build it Now™
- CorePLUS™
- CorePOWER™
- CROSSVOL™
- CTL™
- Current Transfer Logic™
- DEUXPEED®
- Dual Cool™
- EcoSPARK®
- EfficientMax™
- ESBC™
- F**™
- Fairchild®
- Fairchild Semiconductor®
- FACT Quiet Series™
- FACT®
- FastvCore™
- FETBench™
- FPS™
- F-PFS™
- FRFET®
- Global Power ResourceSM
- GreenBridge™
- Green FPS™
- Green FPS™ e-Series™
- Gmax™
- GTO™
- IntelliMAX™
- ISOPLANAR™
- Making Small Speakers Sound Louder and Better™
- MegaBuck™
- MICROCOUPLER™
- MicroFET™
- MicroPak™
- MicroPak2™
- MillerDrive™
- MotionMax™
- MotionGrid®
- MTi®
- MTx®
- MVN®
- mWSaver®
- OptoHiT™
- OPTOLOGIC®
- OPTOPLANAR®
- ®
- Power Supply WebDesigner™
- PowerTrench®
- PowerXS™
- Programmable Active Droop™
- QFET®
- QS™
- Quiet Series™
- RapidConfigure™
- ™
- Saving our world, 1mW/W/kW at a time™
- SignalWise™
- SmartMax™
- SMART START™
- Solutions for Your Success™
- SPM®
- STEALTH™
- SuperFET®
- SuperSOT™-3
- SuperSOT™-6
- SuperSOT™-8
- SupreMOS®
- SyncFET™
- Sync-Lock™
- ®
- TinyBoost®
- TinyBuck®
- TinyCalc™
- TinyLogic®
- TINYOPTO™
- TinyPower™
- TinyPWM™
- TinyWire™
- TranSiC™
- TriFault Detect™
- TRUECURRENT®*
- μSerDes™
- ™
- UHC®
- Ultra FRFET™
- UniFET™
- VcX™
- VisualMax™
- VoltagePlus™
- XS™
- Xsens™
- 仙童®

* Trademarks of System General Corporation, used under license by Fairchild Semiconductor.

DISCLAIMER

FAIRCHILD SEMICONDUCTOR RESERVES THE RIGHT TO MAKE CHANGES WITHOUT FURTHER NOTICE TO ANY PRODUCTS HEREIN TO IMPROVE RELIABILITY, FUNCTION, OR DESIGN. TO OBTAIN THE LATEST, MOST UP-TO-DATE DATASHEET AND PRODUCT INFORMATION, VISIT OUR WEBSITE AT [HTTP://WWW.FAIRCHILDSEMI.COM](http://www.fairchildsemi.com). FAIRCHILD DOES NOT ASSUME ANY LIABILITY ARISING OUT OF THE APPLICATION OR USE OF ANY PRODUCT OR CIRCUIT DESCRIBED HEREIN; NEITHER DOES IT CONVEY ANY LICENSE UNDER ITS PATENT RIGHTS, NOR THE RIGHTS OF OTHERS. THESE SPECIFICATIONS DO NOT EXPAND THE TERMS OF FAIRCHILD'S WORLDWIDE TERMS AND CONDITIONS, SPECIFICALLY THE WARRANTY THEREIN, WHICH COVERS THESE PRODUCTS.

AUTHORIZED USE

Unless otherwise specified in this data sheet, this product is a standard commercial product and is not intended for use in applications that require extraordinary levels of quality and reliability. This product may not be used in the following applications, unless specifically approved in writing by a Fairchild officer: (1) automotive or other transportation, (2) military/aerospace, (3) any safety critical application – including life critical medical equipment – where the failure of the Fairchild product reasonably would be expected to result in personal injury, death or property damage. Customer's use of this product is subject to agreement of this Authorized Use policy. In the event of an unauthorized use of Fairchild's product, Fairchild accepts no liability in the event of product failure. In other respects, this product shall be subject to Fairchild's Worldwide Terms and Conditions of Sale, unless a separate agreement has been signed by both Parties.

ANTI-COUNTERFEITING POLICY

Fairchild Semiconductor Corporation's Anti-Counterfeiting Policy. Fairchild's Anti-Counterfeiting Policy is also stated on our external website, www.fairchildsemi.com, under Terms of Use

Counterfeiting of semiconductor parts is a growing problem in the industry. All manufacturers of semiconductor products are experiencing counterfeiting of their parts. Customers who inadvertently purchase counterfeit parts experience many problems such as loss of brand reputation, substandard performance, failed applications, and increased cost of production and manufacturing delays. Fairchild is taking strong measures to protect ourselves and our customers from the proliferation of counterfeit parts. Fairchild strongly encourages customers to purchase Fairchild parts either directly from Fairchild or from Authorized Fairchild Distributors who are listed by country on our web page cited above. Products customers buy either from Fairchild directly or from Authorized Fairchild Distributors are genuine parts, have full traceability, meet Fairchild's quality standards for handling and storage and provide access to Fairchild's full range of up-to-date technical and product information. Fairchild and our Authorized Distributors will stand behind all warranties and will appropriately address any warranty issues that may arise. Fairchild will not provide any warranty coverage or other assistance for parts bought from Unauthorized Sources. Fairchild is committed to combat this global problem and encourage our customers to do their part in stopping this practice by buying direct or from authorized distributors.

PRODUCT STATUS DEFINITIONS

Definition of Terms

| Datasheet Identification | Product Status | Definition |
|--------------------------|-----------------------|---|
| Advance Information | Formative / In Design | Datasheet contains the design specifications for product development. Specifications may change in any manner without notice. |
| Preliminary | First Production | Datasheet contains preliminary data; supplementary data will be published at a later date. Fairchild Semiconductor reserves the right to make changes at any time without notice to improve design. |
| No Identification Needed | Full Production | Datasheet contains final specifications. Fairchild Semiconductor reserves the right to make changes at any time without notice to improve the design. |
| Obsolete | Not In Production | Datasheet contains specifications on a product that is discontinued by Fairchild Semiconductor. The datasheet is for reference information only. |