



Is Now Part of



**ON Semiconductor®**

To learn more about ON Semiconductor, please visit our website at  
[www.onsemi.com](http://www.onsemi.com)

ON Semiconductor and the ON Semiconductor logo are trademarks of Semiconductor Components Industries, LLC dba ON Semiconductor or its subsidiaries in the United States and/or other countries. ON Semiconductor owns the rights to a number of patents, trademarks, copyrights, trade secrets, and other intellectual property. A listing of ON Semiconductor's product/patent coverage may be accessed at [www.onsemi.com/site/pdf/Patent-Marking.pdf](http://www.onsemi.com/site/pdf/Patent-Marking.pdf). ON Semiconductor reserves the right to make changes without further notice to any products herein. ON Semiconductor makes no warranty, representation or guarantee regarding the suitability of its products for any particular purpose, nor does ON Semiconductor assume any liability arising out of the application or use of any product or circuit, and specifically disclaims any and all liability, including without limitation special, consequential or incidental damages. Buyer is responsible for its products and applications using ON Semiconductor products, including compliance with all laws, regulations and safety requirements or standards, regardless of any support or applications information provided by ON Semiconductor. "Typical" parameters which may be provided in ON Semiconductor data sheets and/or specifications can and do vary in different applications and actual performance may vary over time. All operating parameters, including "Typicals" must be validated for each customer application by customer's technical experts. ON Semiconductor does not convey any license under its patent rights nor the rights of others. ON Semiconductor products are not designed, intended, or authorized for use as a critical component in life support systems or any FDA Class 3 medical devices or medical devices with a same or similar classification in a foreign jurisdiction or any devices intended for implantation in the human body. Should Buyer purchase or use ON Semiconductor products for any such unintended or unauthorized application, Buyer shall indemnify and hold ON Semiconductor and its officers, employees, subsidiaries, affiliates, and distributors harmless against all claims, costs, damages, and expenses, and reasonable attorney fees arising out of, directly or indirectly, any claim of personal injury or death associated with such unintended or unauthorized use, even if such claim alleges that ON Semiconductor was negligent regarding the design or manufacture of the part. ON Semiconductor is an Equal Opportunity/Affirmative Action Employer. This literature is subject to all applicable copyright laws and is not for resale in any manner.

# FQP7N80C / FQPF7N80C

## N-Channel QFET® MOSFET

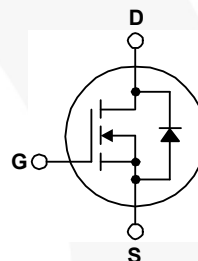
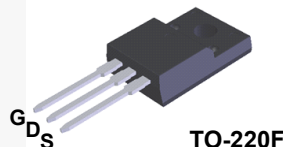
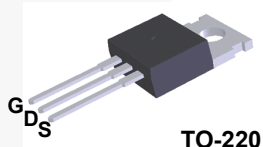
800 V, 6.6 A, 1.9 Ω

### Description

This N-Channel enhancement mode power MOSFET is produced using Fairchild Semiconductor's proprietary planar stripe and DMOS technology. This advanced MOSFET technology has been especially tailored to reduce on-state resistance, and to provide superior switching performance and high avalanche energy strength. These devices are suitable for switched mode power supplies, active power factor correction (PFC), and electronic lamp ballasts.

### Features

- 6.6 A, 800 V,  $R_{DS(on)} = 1.9 \Omega$  (Max.) @  $V_{GS} = 10 V$ ,  $I_D = 3.3 A$
- Low Gate Charge (Typ. 27 nC)
- Low Crss (Typ. 10 pF)
- 100% Avalanche Tested



### Absolute Maximum Ratings $T_C = 25^\circ C$ unless otherwise noted.

Symbol	Parameter	FQP7N80C	FQPF7N80C	Unit
$V_{DSS}$	Drain-Source Voltage	800		V
$I_D$	Drain Current - Continuous ( $T_C = 25^\circ C$ ) - Continuous ( $T_C = 100^\circ C$ )	6.6	6.6 *	A
		4.2	4.2 *	A
$I_{DM}$	Drain Current - Pulsed (Note 1)	26.4	26.4 *	A
$V_{GSS}$	Gate-Source Voltage	$\pm 30$		V
$E_{AS}$	Single Pulsed Avalanche Energy (Note 2)	580		mJ
$I_{AR}$	Avalanche Current (Note 1)	6.6		A
$E_{AR}$	Repetitive Avalanche Energy (Note 1)	16.7		mJ
dv/dt	Peak Diode Recovery dv/dt (Note 3)	4.5		V/ns
$P_D$	Power Dissipation ( $T_C = 25^\circ C$ ) - Derate above $25^\circ C$	167	56	W
		1.33	0.44	W/ $^\circ C$
$T_J, T_{STG}$	Operating and Storage Temperature Range	-55 to +150		$^\circ C$
$T_L$	Maximum Lead Temperature for Soldering, 1/8" from Case for 5 Seconds	300		$^\circ C$

\* Drain current limited by maximum junction temperature.

### Thermal Characteristics

Symbol	Parameter	FQP7N80C	FQPF7N80C	Unit
$R_{\theta JC}$	Thermal Resistance, Junction-to-Case, Max.	0.75	2.25	$^\circ C/W$
$R_{\theta CS}$	Thermal Resistance, Case-to-Sink Typ, Max.	0.5	--	$^\circ C/W$
$R_{\theta JA}$	Thermal Resistance, Junction-to-Ambient, Max.	62.5	62.5	$^\circ C/W$

## Package Marking and Ordering Information

Part Number	Top Mark	Package	Packing Method	Reel Size	Tape Width	Quantity
FQP7N80C	FQP7N80C	TO-220	Tube	N/A	N/A	50 units
FQPF7N80C	FQPF7N80C	TO-220F	Tube	N/A	N/A	50 units

## Electrical Characteristics

$T_C = 25^\circ\text{C}$  unless otherwise noted.

Symbol	Parameter	Test Conditions	Min.	Typ.	Max.	Unit
--------	-----------	-----------------	------	------	------	------

### Off Characteristics

$BV_{DSS}$	Drain-Source Breakdown Voltage	$V_{GS} = 0\text{ V}, I_D = 250\ \mu\text{A}$	800	--	--	V
$\frac{\Delta BV_{DSS}}{\Delta T_J}$	Breakdown Voltage Temperature Coefficient	$I_D = 250\ \mu\text{A}$ , Referenced to $25^\circ\text{C}$	--	0.93	--	$\text{V}/^\circ\text{C}$
$I_{DSS}$	Zero Gate Voltage Drain Current	$V_{DS} = 800\text{ V}, V_{GS} = 0\text{ V}$	--	--	10	$\mu\text{A}$
		$V_{DS} = 640\text{ V}, T_C = 125^\circ\text{C}$	--	--	100	$\mu\text{A}$
$I_{GSSF}$	Gate-Body Leakage Current, Forward	$V_{GS} = 30\text{ V}, V_{DS} = 0\text{ V}$	--	--	100	nA
$I_{GSSR}$	Gate-Body Leakage Current, Reverse	$V_{GS} = -30\text{ V}, V_{DS} = 0\text{ V}$	--	--	-100	nA

### On Characteristics

$V_{GS(th)}$	Gate Threshold Voltage	$V_{DS} = V_{GS}, I_D = 250\ \mu\text{A}$	3.0	--	5.0	V
$R_{DS(on)}$	Static Drain-Source On-Resistance	$V_{GS} = 10\text{ V}, I_D = 3.3\text{ A}$	--	1.57	1.9	$\Omega$
$g_{FS}$	Forward Transconductance	$V_{DS} = 50\text{ V}, I_D = 3.3\text{ A}$	--	5.5	--	S

### Dynamic Characteristics

$C_{iss}$	Input Capacitance	$V_{DS} = 25\text{ V}, V_{GS} = 0\text{ V},$ $f = 1.0\text{ MHz}$	--	1290	1680	pF
$C_{oss}$	Output Capacitance		--	120	155	pF
$C_{rss}$	Reverse Transfer Capacitance		--	10	13	pF

### Switching Characteristics

$t_{d(on)}$	Turn-On Delay Time	$V_{DD} = 400\text{ V}, I_D = 6.6\text{ A},$ $R_G = 25\ \Omega$	--	35	80	ns	
$t_r$	Turn-On Rise Time		--	100	210	ns	
$t_{d(off)}$	Turn-Off Delay Time		(Note 4)	--	50	110	ns
$t_f$	Turn-Off Fall Time		(Note 4)	--	60	130	ns
$Q_g$	Total Gate Charge	$V_{DS} = 640\text{ V}, I_D = 6.6\text{ A},$ $V_{GS} = 10\text{ V}$	--	27	35	nC	
$Q_{gs}$	Gate-Source Charge		(Note 4)	--	8.2	--	nC
$Q_{gd}$	Gate-Drain Charge		(Note 4)	--	11	--	nC

### Drain-Source Diode Characteristics and Maximum Ratings

$I_S$	Maximum Continuous Drain-Source Diode Forward Current	--	--	6.6	A	
$I_{SM}$	Maximum Pulsed Drain-Source Diode Forward Current	--	--	26.4	A	
$V_{SD}$	Drain-Source Diode Forward Voltage	$V_{GS} = 0\text{ V}, I_S = 6.6\text{ A}$	--	--	1.4	V
$t_{rr}$	Reverse Recovery Time	$V_{GS} = 0\text{ V}, I_S = 6.6\text{ A},$ $di_F / dt = 100\text{ A}/\mu\text{s}$	--	650	--	ns
$Q_{rr}$	Reverse Recovery Charge		--	7.0	--	$\mu\text{C}$

#### Notes:

1. Repetitive rating : pulse-width limited by maximum junction temperature.
2.  $L = 25\text{ mH}, I_{AS} = 6.6\text{ A}, V_{DD} = 50\text{ V}, R_G = 25\ \Omega$ , starting  $T_J = 25^\circ\text{C}$ .
3.  $I_{SD} \leq 8\text{ A}, di/dt \leq 200\text{ A}/\mu\text{s}, V_{DD} \leq BV_{DSS}$ , starting  $T_J = 25^\circ\text{C}$ .
4. Essentially independent of operating temperature.

## Typical Characteristics

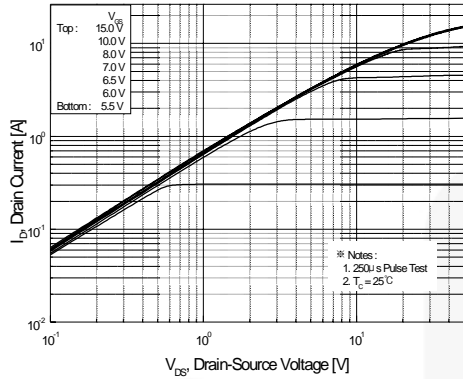


Figure 1. On-Region Characteristics

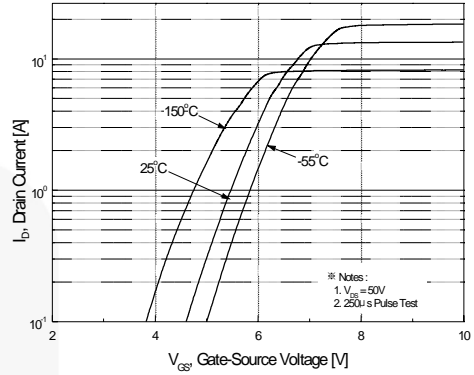


Figure 2. Transfer Characteristics

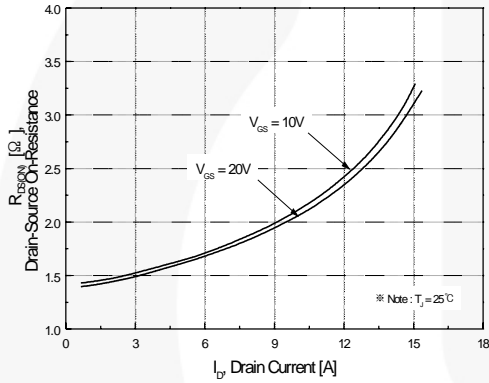


Figure 3. On-Resistance Variation vs. Drain Current and Gate Voltage

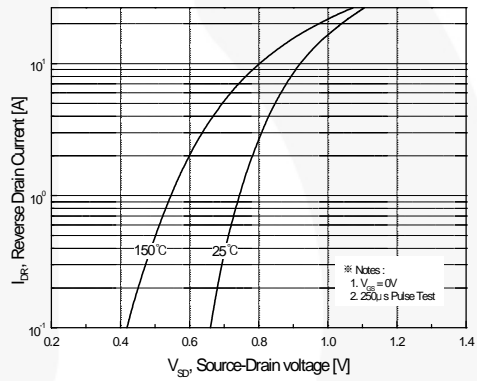


Figure 4. Body Diode Forward Voltage Variation with Source Current and Temperature

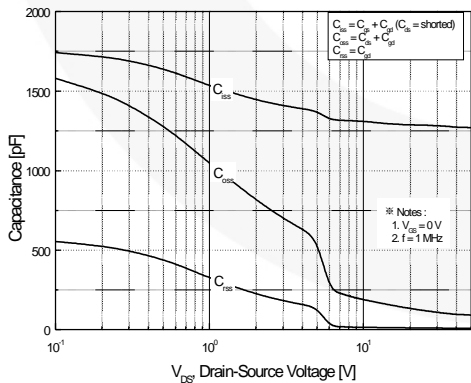


Figure 5. Capacitance Characteristics

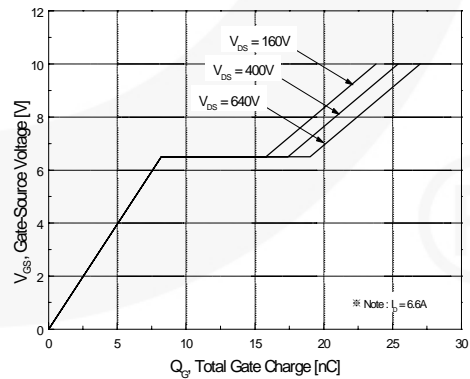
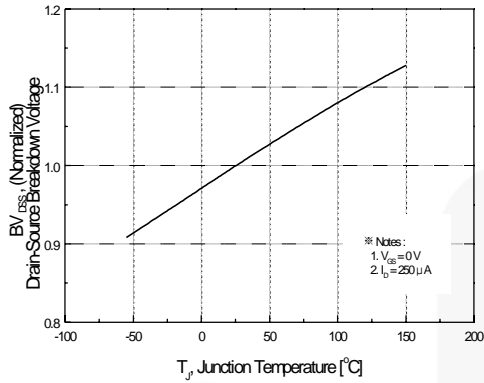
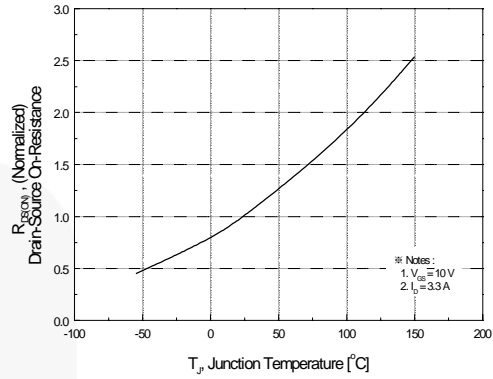


Figure 6. Gate Charge Characteristics

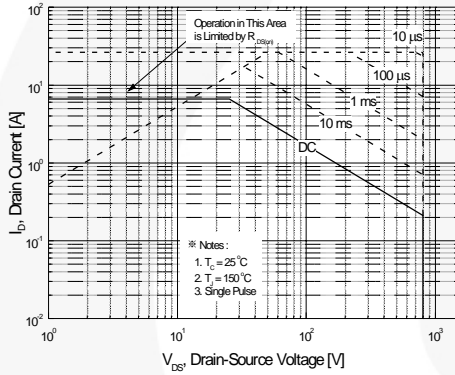
**Typical Characteristics** (Continued)



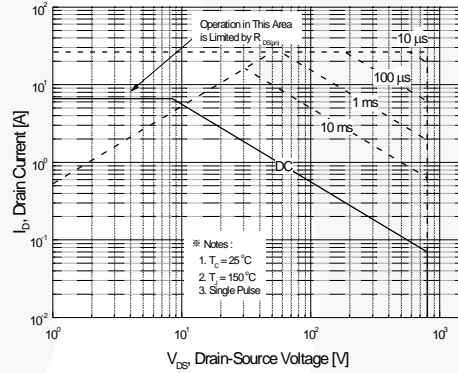
**Figure 7. Breakdown Voltage Variation vs Temperature**



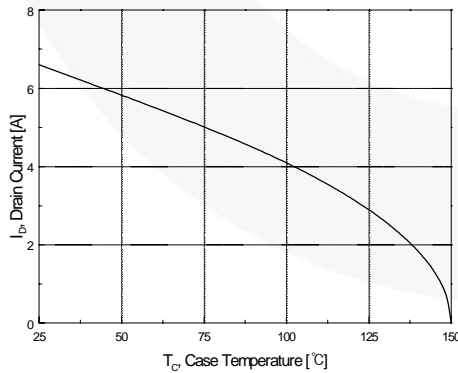
**Figure 8. On-Resistance Variation vs Temperature**



**Figure 9-1. Maximum Safe Operating Area for FQP7N80C**

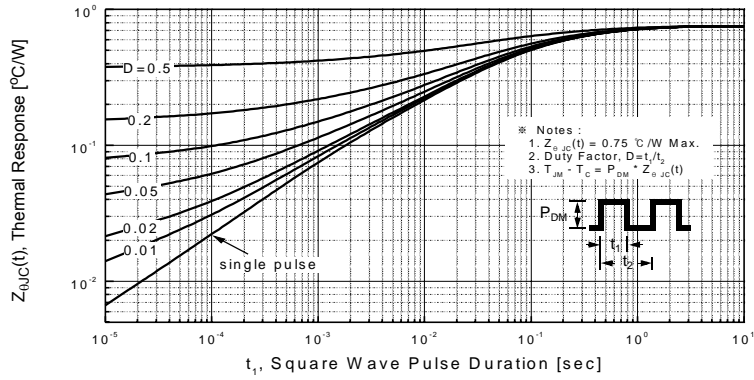


**Figure 9-2. Maximum Safe Operating Area for FQPF7N80C**

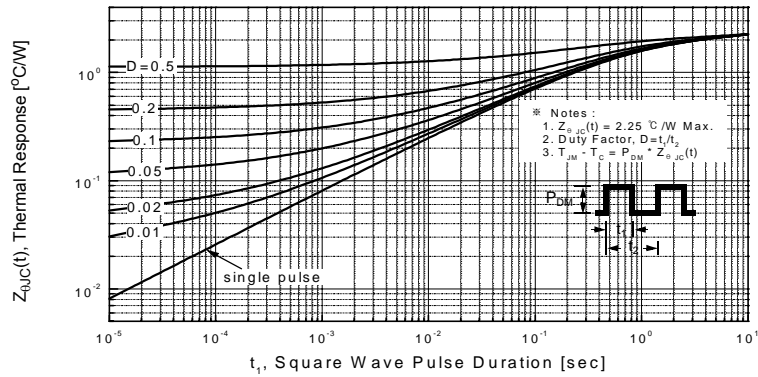


**Figure 10. Maximum Drain Current vs Case Temperature**

**Typical Characteristics** (Continued)



**Figure 11-1. Transient Thermal Response Curve for FQP7N80C**



**Figure 11-2. Transient Thermal Response Curve for FQPF7N80C**

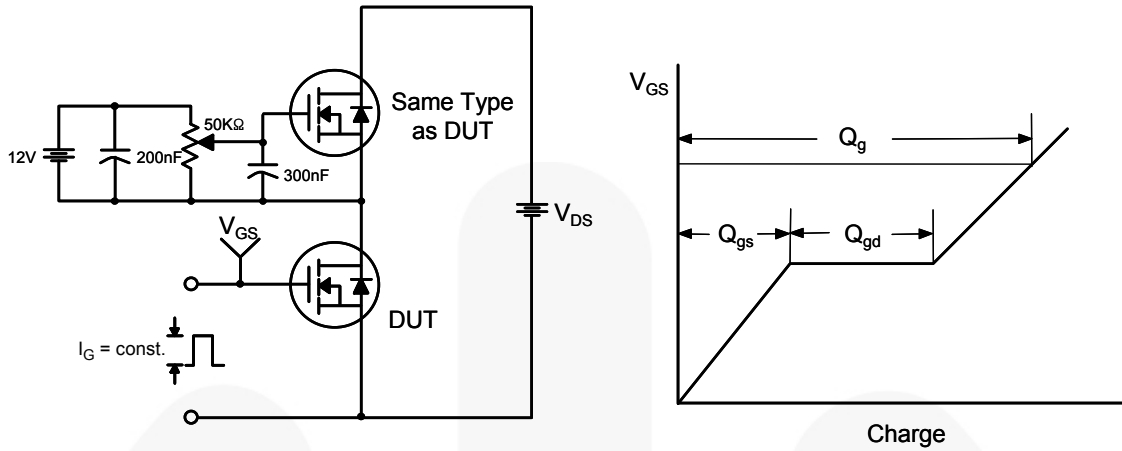


Figure 12. Gate Charge Test Circuit & Waveform

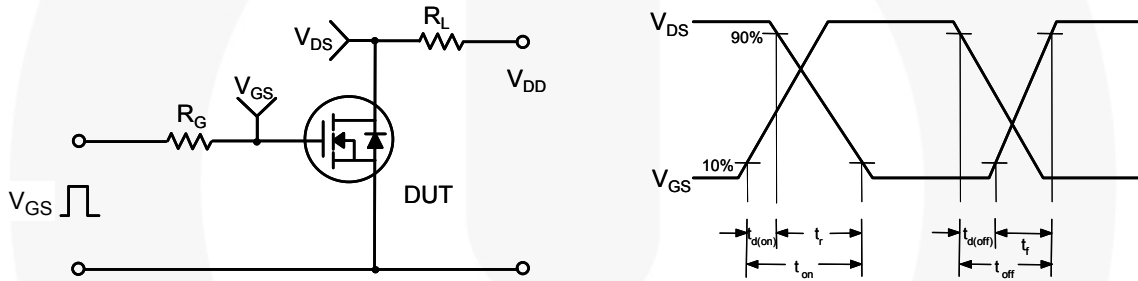


Figure 13. Resistive Switching Test Circuit & Waveforms

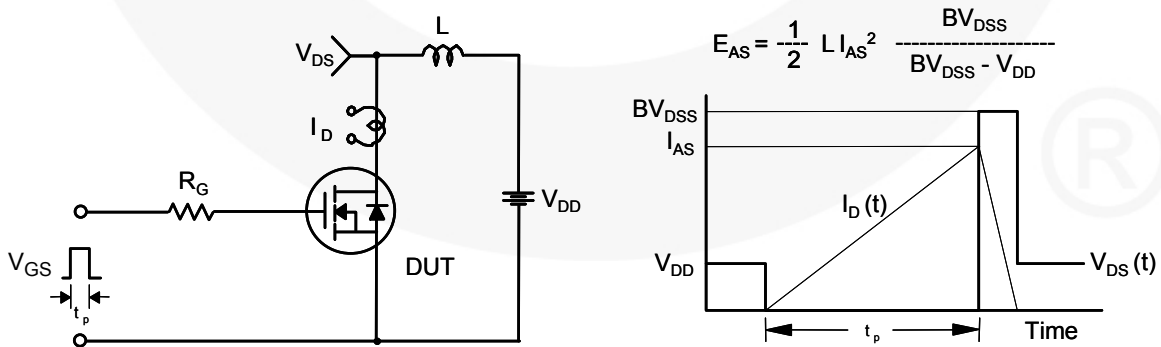


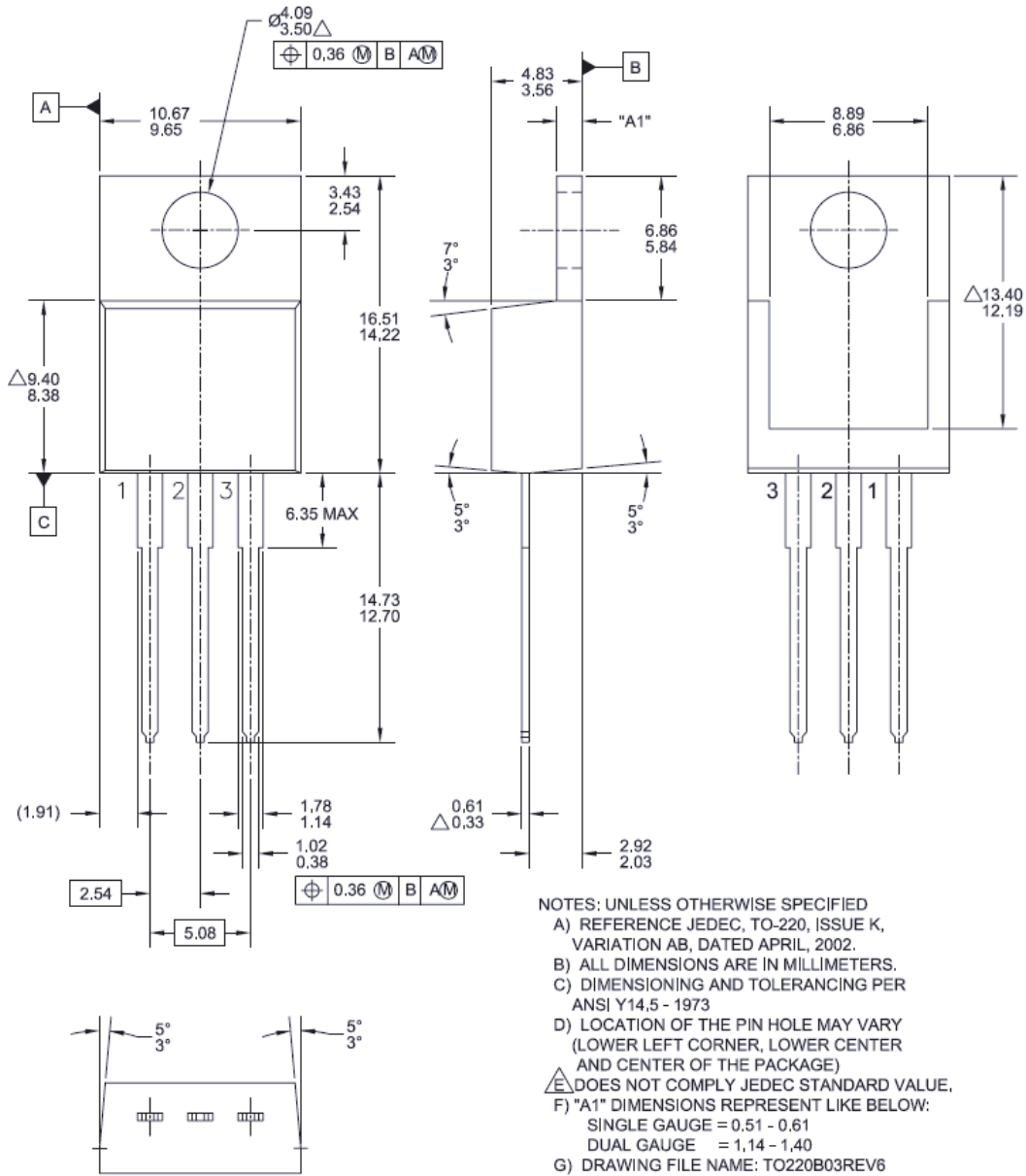
Figure 14. Unclamped Inductive Switching Test Circuit & Waveforms



**Figure 15. Peak Diode Recovery  $dv/dt$  Test Circuit & Waveforms**



## Mechanical Dimensions



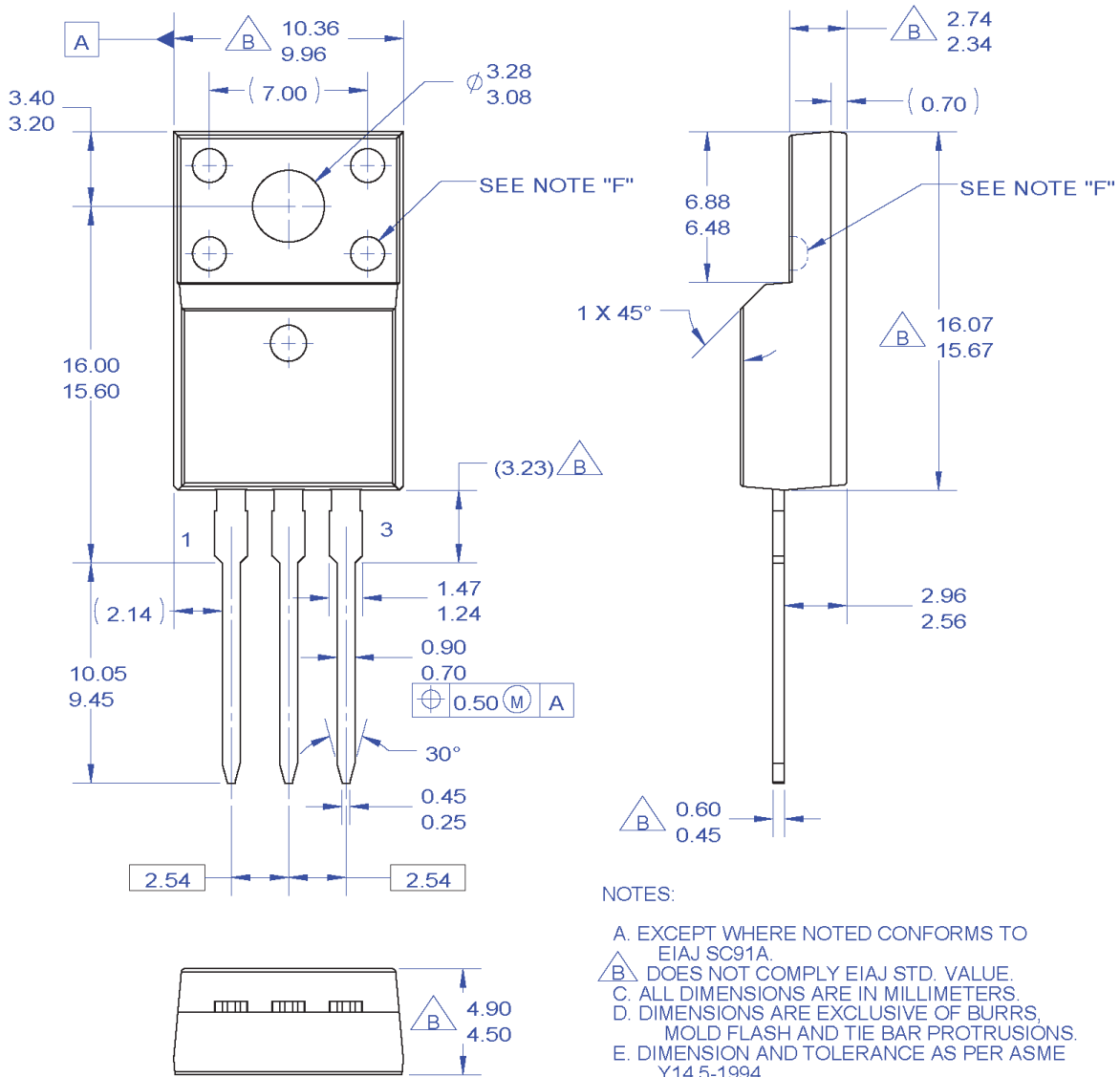
**Figure 16. TO-220, Molded, 3-Lead, Jedec Variation AB**

Package drawings are provided as a service to customers considering Fairchild components. Drawings may change in any manner without notice. Please note the revision and/or date on the drawing and contact a Fairchild Semiconductor representative to verify or obtain the most recent revision. Package specifications do not expand the terms of Fairchild's worldwide terms and conditions, specifically the warranty therein, which covers Fairchild products.

Always visit Fairchild Semiconductor's online packaging area for the most recent package drawings:

[http://www.fairchildsemi.com/package/packageDetails.html?id=PN\\_TT220-003](http://www.fairchildsemi.com/package/packageDetails.html?id=PN_TT220-003)

## Mechanical Dimensions



### NOTES:

- A. EXCEPT WHERE NOTED CONFORMS TO EIAJ SC91A.
- B. DOES NOT COMPLY EIAJ STD. VALUE.
- C. ALL DIMENSIONS ARE IN MILLIMETERS.
- D. DIMENSIONS ARE EXCLUSIVE OF BURRS, MOLD FLASH AND TIE BAR PROTRUSIONS.
- E. DIMENSION AND TOLERANCE AS PER ASME Y14.5-1994.
- F. OPTION 1 - WITH SUPPORT PIN HOLE.  
OPTION 2 - NO SUPPORT PIN HOLE.
- G. DRAWING FILE NAME: TO220M03REV3

**Figure 17. TO220, Molded, 3-Lead, Full Pack, EIAJ SC91, Straight Lead**

Package drawings are provided as a service to customers considering Fairchild components. Drawings may change in any manner without notice. Please note the revision and/or date on the drawing and contact a Fairchild Semiconductor representative to verify or obtain the most recent revision. Package specifications do not expand the terms of Fairchild's worldwide terms and conditions, specifically the warranty therein, which covers Fairchild products.

Always visit Fairchild Semiconductor's online packaging area for the most recent package drawings:

[http://www.fairchildsemi.com/package/packageDetails.html?id=PN\\_TF220-003](http://www.fairchildsemi.com/package/packageDetails.html?id=PN_TF220-003)



**TRADEMARKS**

The following includes registered and unregistered trademarks and service marks, owned by Fairchild Semiconductor and/or its global subsidiaries, and is not intended to be an exhaustive list of all such trademarks.

- |                          |                         |   |                  |
|--------------------------|-------------------------|---|------------------|
| AccuPower™               | F-PFS™                  | PowerTrench®                                    | Sync-Lock™       |
| AX-CAP®*                 | FRFET®                  | PowerXS™  | SYSTEM GENERAL®* |
| BitSiC™                  | Global Power ResourceSM | Programmable Active Droop™                      | TinyBoost®       |
| Build it Now™            | GreenBridge™            | QFET®   | TinyBuck®        |
| CorePLUS™                | Green FPS™              | QS™   | TinyCalc™        |
| CorePOWER™               | Green FPS™ e-Series™    | Quiet Series™                                   | TinyLogic®       |
| CROSSVOLT™               | Gmax™                   | RapidConfigure™                                 | TINYOPTO™        |
| CTL™                     | GTO™                    | ISOPLANAR™                                      | TinyPower™       |
| Current Transfer Logic™  | IntelliMAX™             | Marking Small Speakers Sound Louder and Better™ | TinyPWM™         |
| DEUXPEED®                | ISOPLANAR™              | MegaBuck™                                       | TinyWire™        |
| Dual Cool™               | MICROCOUPLER™           | MicroFET™                                       | TranSiC™         |
| EcoSPARK®                | MicroPak™               | MillerDrive™                                    | TriFault Detect™ |
| EfficientMax™            | MicroPak2™              | MotionMax™                                      | TRUECURRENT®*    |
| ESBC™                    | OptoHiT™                | mWSaver®  | µSerDes™         |
| <b>F</b> ®               | OPTOLOGIC®              | FAST Quiet Series™                              | UHC®             |
| Fairchild®               | OPTOPLANAR®             | FACT Quiet Series™                              | Ultra FRFET™     |
| Fairchild Semiconductor® |                         | FACT®   | UniFET™          |
| FACT Quiet Series™       |                         | FAST®   | VCX™             |
| FAST®                    |                         | FastvCore™                                      | VisualMax™       |
| FETBench™                |                         | FETBench™                                       | VoltagePlus™     |
| FPS™                     |                         | FPS™  | XS™              |
|                          |                         | PowerTrench®                                    |                  |
|                          |                         | PowerXS™  |                  |
|                          |                         | Programmable Active Droop™                      |                  |
|                          |                         | QFET®   |                  |
|                          |                         | QS™   |                  |
|                          |                         | Quiet Series™                                   |                  |
|                          |                         | RapidConfigure™                                 |                  |
|                          |                         | ISOPLANAR™                                      |                  |
|                          |                         | Marking Small Speakers Sound Louder and Better™ |                  |
|                          |                         | MegaBuck™                                       |                  |
|                          |                         | MICROCOUPLER™                                   |                  |
|                          |                         | MicroFET™                                       |                  |
|                          |                         | MillerDrive™                                    |                  |
|                          |                         | MotionMax™                                      |                  |
|                          |                         | mWSaver®  |                  |
|                          |                         | OptoHiT™  |                  |
|                          |                         | OPTOLOGIC®                                      |                  |
|                          |                         | OPTOPLANAR®                                     |                  |
|                          |                         | PowerTrench®                                    |                  |
|                          |                         | PowerXS™  |                  |
|                          |                         | Programmable Active Droop™                      |                  |
|                          |                         | QFET®   |                  |
|                          |                         | QS™   |                  |
|                          |                         | Quiet Series™                                   |                  |
|                          |                         | RapidConfigure™                                 |                  |
|                          |                         | ISOPLANAR™                                      |                  |
|                          |                         | Marking Small Speakers Sound Louder and Better™ |                  |
|                          |                         | MegaBuck™                                       |                  |
|                          |                         | MICROCOUPLER™                                   |                  |
|                          |                         | MicroFET™                                       |                  |
|                          |                         | MillerDrive™                                    |                  |
|                          |                         | MotionMax™                                      |                  |
|                          |                         | mWSaver®  |                  |
|                          |                         | OptoHiT™  |                  |
|                          |                         | OPTOLOGIC®                                      |                  |
|                          |                         | OPTOPLANAR®                                     |                  |
|                          |                         | PowerTrench®                                    |                  |
|                          |                         | PowerXS™  |                  |
|                          |                         | Programmable Active Droop™                      |                  |
|                          |                         | QFET®   |                  |
|                          |                         | QS™   |                  |
|                          |                         | Quiet Series™                                   |                  |
|                          |                         | RapidConfigure™                                 |                  |
|                          |                         | ISOPLANAR™                                      |                  |
|                          |                         | Marking Small Speakers Sound Louder and Better™ |                  |
|                          |                         | MegaBuck™                                       |                  |
|                          |                         | MICROCOUPLER™                                   |                  |
|                          |                         | MicroFET™                                       |                  |
|                          |                         | MillerDrive™                                    |                  |
|                          |                         | MotionMax™                                      |                  |
|                          |                         | mWSaver®  |                  |
|                          |                         | OptoHiT™  |                  |
|                          |                         | OPTOLOGIC®                                      |                  |
|                          |                         | OPTOPLANAR®                                     |                  |
|                          |                         | PowerTrench®                                    |                  |
|                          |                         | PowerXS™  |                  |
|                          |                         | Programmable Active Droop™                      |                  |
|                          |                         | QFET®   |                  |
|                          |                         | QS™   |                  |
|                          |                         | Quiet Series™                                   |                  |
|                          |                         | RapidConfigure™                                 |                  |
|                          |                         | ISOPLANAR™                                      |                  |
|                          |                         | Marking Small Speakers Sound Louder and Better™ |                  |
|                          |                         | MegaBuck™                                       |                  |
|                          |                         | MICROCOUPLER™                                   |                  |
|                          |                         | MicroFET™                                       |                  |
|                          |                         | MillerDrive™                                    |                  |
|                          |                         | MotionMax™                                      |                  |
|                          |                         | mWSaver®  |                  |
|                          |                         | OptoHiT™  |                  |
|                          |                         | OPTOLOGIC®                                      |                  |
|                          |                         | OPTOPLANAR®                                     |                  |
|                          |                         | PowerTrench®                                    |                  |
|                          |                         | PowerXS™  |                  |
|                          |                         | Programmable Active Droop™                      |                  |
|                          |                         | QFET®   |                  |
|                          |                         | QS™   |                  |
|                          |                         | Quiet Series™                                   |                  |
|                          |                         | RapidConfigure™                                 |                  |
|                          |                         | ISOPLANAR™                                      |                  |
|                          |                         | Marking Small Speakers Sound Louder and Better™ |                  |
|                          |                         | MegaBuck™                                       |                  |
|                          |                         | MICROCOUPLER™                                   |                  |
|                          |                         | MicroFET™                                       |                  |
|                          |                         | MillerDrive™                                    |                  |
|                          |                         | MotionMax™                                      |                  |
|                          |                         | mWSaver®  |                  |
|                          |                         | OptoHiT™  |                  |
|                          |                         | OPTOLOGIC®                                      |                  |
|                          |                         | OPTOPLANAR®                                     |                  |
|                          |                         | PowerTrench®                                    |                  |
|                          |                         | PowerXS™  |                  |
|                          |                         | Programmable Active Droop™                      |                  |
|                          |                         | QFET®   |                  |
|                          |                         | QS™   |                  |
|                          |                         | Quiet Series™                                   |                  |
|                          |                         | RapidConfigure™                                 |                  |
|                          |                         | ISOPLANAR™                                      |                  |
|                          |                         | Marking Small Speakers Sound Louder and Better™ |                  |
|                          |                         | MegaBuck™                                       |                  |
|                          |                         | MICROCOUPLER™                                   |                  |
|                          |                         | MicroFET™                                       |                  |
|                          |                         | MillerDrive™                                    |                  |
|                          |                         | MotionMax™                                      |                  |
|                          |                         | mWSaver®  |                  |
|                          |                         | OptoHiT™  |                  |
|                          |                         | OPTOLOGIC®                                      |                  |
|                          |                         | OPTOPLANAR®                                     |                  |
|                          |                         | PowerTrench®                                    |                  |
|                          |                         | PowerXS™  |                  |
|                          |                         | Programmable Active Droop™                      |                  |
|                          |                         | QFET®   |                  |
|                          |                         | QS™   |                  |
|                          |                         | Quiet Series™                                   |                  |
|                          |                         | RapidConfigure™                                 |                  |
|                          |                         | ISOPLANAR™                                      |                  |
|                          |                         | Marking Small Speakers Sound Louder and Better™ |                  |
|                          |                         | MegaBuck™                                       |                  |
|                          |                         | MICROCOUPLER™                                   |                  |
|                          |                         | MicroFET™                                       |                  |
|                          |                         | MillerDrive™                                    |                  |
|                          |                         | MotionMax™                                      |                  |
|                          |                         | mWSaver®  |                  |
|                          |                         | OptoHiT™  |                  |
|                          |                         | OPTOLOGIC®                                      |                  |
|                          |                         | OPTOPLANAR®                                     |                  |
|                          |                         | PowerTrench®                                    |                  |
|                          |                         | PowerXS™  |                  |
|                          |                         | Programmable Active Droop™                      |                  |
|                          |                         | QFET®   |                  |
|                          |                         | QS™   |                  |
|                          |                         | Quiet Series™                                   |                  |
|                          |                         | RapidConfigure™                                 |                  |
|                          |                         | ISOPLANAR™                                      |                  |
|                          |                         | Marking Small Speakers Sound Louder and Better™ |                  |
|                          |                         | MegaBuck™                                       |                  |
|                          |                         | MICROCOUPLER™                                   |                  |
|                          |                         | MicroFET™                                       |                  |
|                          |                         | MillerDrive™                                    |                  |
|                          |                         | MotionMax™                                      |                  |
|                          |                         | mWSaver®  |                  |
|                          |                         | OptoHiT™  |                  |
|                          |                         | OPTOLOGIC®                                      |                  |
|                          |                         | OPTOPLANAR®                                     |                  |
|                          |                         | PowerTrench®                                    |                  |
|                          |                         | PowerXS™  |                  |
|                          |                         | Programmable Active Droop™                      |                  |
|                          |                         | QFET®   |                  |
|                          |                         | QS™   |                  |
|                          |                         | Quiet Series™                                   |                  |
|                          |                         | RapidConfigure™                                 |                  |
|                          |                         | ISOPLANAR™                                      |                  |
|                          |                         | Marking Small Speakers Sound Louder and Better™ |                  |
|                          |                         | MegaBuck™                                       |                  |
|                          |                         | MICROCOUPLER™                                   |                  |
|                          |                         | MicroFET™                                       |                  |
|                          |                         | MillerDrive™                                    |                  |
|                          |                         | MotionMax™                                      |                  |
|                          |                         | mWSaver®  |                  |
|                          |                         | OptoHiT™  |                  |
|                          |                         | OPTOLOGIC®                                      |                  |
|                          |                         | OPTOPLANAR®                                     |                  |
|                          |                         | PowerTrench®                                    |                  |
|                          |                         | PowerXS™  |                  |
|                          |                         | Programmable Active Droop™                      |                  |
|                          |                         | QFET®   |                  |
|                          |                         | QS™   |                  |
|                          |                         | Quiet Series™                                   |                  |
|                          |                         | RapidConfigure™                                 |                  |
|                          |                         | ISOPLANAR™                                      |                  |
|                          |                         | Marking Small Speakers Sound Louder and Better™ |                  |
|                          |                         | MegaBuck™                                       |                  |
|                          |                         | MICROCOUPLER™                                   |                  |
|                          |                         | MicroFET™                                       |                  |
|                          |                         | MillerDrive™                                    |                  |
|                          |                         | MotionMax™                                      |                  |
|                          |                         | mWSaver®  |                  |
|                          |                         | OptoHiT™  |                  |
|                          |                         | OPTOLOGIC®                                      |                  |
|                          |                         | OPTOPLANAR®                                     |                  |
|                          |                         | PowerTrench®                                    |                  |
|                          |                         | PowerXS™  |                  |
|                          |                         | Programmable Active Droop™                      |                  |
|                          |                         | QFET®   |                  |
|                          |                         | QS™   |                  |
|                          |                         | Quiet Series™                                   |                  |
|                          |                         | RapidConfigure™                                 |                  |
|                          |                         | ISOPLANAR™                                      |                  |
|                          |                         | Marking Small Speakers Sound Louder and Better™ |                  |
|                          |                         | MegaBuck™                                       |                  |
|                          |                         | MICROCOUPLER™                                   |                  |
|                          |                         | MicroFET™                                       |                  |
|                          |                         | MillerDrive™                                    |                  |
|                          |                         | MotionMax™                                      |                  |
|                          |                         | mWSaver®  |                  |
|                          |                         | OptoHiT™  |                  |
|                          |                         | OPTOLOGIC®                                      |                  |
|                          |                         | OPTOPLANAR®                                     |                  |
|                          |                         | PowerTrench®                                    |                  |
|                          |                         | PowerXS™  |                  |
|                          |                         | Programmable Active Droop™                      |                  |
|                          |                         | QFET®   |                  |
|                          |                         | QS™   |                  |
|                          |                         | Quiet Series™                                   |                  |
|                          |                         | RapidConfigure™                                 |                  |
|                          |                         | ISOPLANAR™                                      |                  |
|                          |                         | Marking Small Speakers Sound Louder and Better™ |                  |
|                          |                         | MegaBuck™                                       |                  |
|                          |                         | MICROCOUPLER™                                   |                  |
|                          |                         | MicroFET™                                       |                  |
|                          |                         | MillerDrive™                                    |                  |
|                          |                         | MotionMax™                                      |                  |
|                          |                         | mWSaver®  |                  |
|                          |                         | OptoHiT™  |                  |
|                          |                         | OPTOLOGIC®                                      |                  |
|                          |                         | OPTOPLANAR®                                     |                  |
|                          |                         | PowerTrench®                                    |                  |
|                          |                         | PowerXS™  |                  |
|                          |                         | Programmable Active Droop™                      |                  |
|                          |                         | QFET®   |                  |
|                          |                         | QS™   |                  |
|                          |                         | Quiet Series™                                   |                  |
|                          |                         | RapidConfigure™                                 |                  |
|                          |                         | ISOPLANAR™                                      |                  |
|                          |                         | Marking Small Speakers Sound Louder and Better™ |                  |
|                          |                         | MegaBuck™                                       |                  |
|                          |                         | MICROCOUPLER™                                   |                  |
|                          |                         | MicroFET™                                       |                  |
|                          |                         | MillerDrive™                                    |                  |
|                          |                         | MotionMax™                                      |                  |
|                          |                         | mWSaver®  |                  |
|                          |                         | OptoHiT™  |                  |
|                          |                         | OPTOLOGIC®                                      |                  |
|                          |                         | OPTOPLANAR®                                     |                  |
|                          |                         | PowerTrench®                                    |                  |
|                          |                         | PowerXS™  |                  |
|                          |                         | Programmable Active Droop™                      |                  |
|                          |                         | QFET®   |                  |
|                          |                         | QS™   |                  |
|                          |                         | Quiet Series™                                   |                  |
|                          |                         | RapidConfigure™                                 |                  |
|                          |                         | ISOPLANAR™                                      |                  |
|                          |                         | Marking Small Speakers Sound Louder and Better™ |                  |
|                          |                         | MegaBuck™                                       |                  |
|                          |                         | MICROCOUPLER™                                   |                  |
|                          |                         | MicroFET™                                       |                  |
|                          |                         | MillerDrive™                                    |                  |
|                          |                         | MotionMax™                                      |                  |
|                          |                         | mWSaver®  |                  |
|                          |                         | OptoHiT™  |                  |
|                          |                         | OPTOLOGIC®                                      |                  |
|                          |                         | OPTOPLANAR®                                     |                  |
|                          |                         | PowerTrench®                                    |                  |
|                          |                         | PowerXS™  |                  |
|                          |                         | Programmable Active Droop™                      |                  |
|                          |                         | QFET®   |                  |
|                          |                         | QS™   |                  |
|                          |                         | Quiet Series™                                   |                  |
|                          |                         | RapidConfigure™                                 |                  |
|                          |                         | ISOPLANAR™                                      |                  |
|                          |                         | Marking Small Speakers Sound Louder and Better™ |                  |
|                          |                         | MegaBuck™                                       |                  |
|                          |                         | MICROCOUPLER™                                   |                  |
|                          |                         | MicroFET™                                       |                  |
|                          |                         | MillerDrive™                                    |                  |
|                          |                         | MotionMax™                                      |                  |
|                          |                         | mWSaver®  |                  |
|                          |                         | OptoHiT™  |                  |
|                          |                         | OPTOLOGIC®                                      |                  |
|                          |                         | OPTOPLANAR®                                     |                  |
|                          |                         | PowerTrench®                                    |                  |
|                          |                         | PowerXS™  |                  |
|                          |                         | Programmable Active Droop™                      |                  |
|                          |                         | QFET®   |                  |
|                          |                         | QS™   |                  |
|                          |                         | Quiet Series™                                   |                  |
|                          |                         | RapidConfigure™                                 |                  |
|                          |                         | ISOPLANAR™                                      |                  |
|                          |                         | Marking Small Speakers Sound Louder and Better™ |                  |
|                          |                         | MegaBuck™                                       |                  |
|                          |                         | MICROCOUPLER™                                   |                  |
|                          |                         | MicroFET™                                       |                  |
|                          |                         | MillerDrive™                                    |                  |
|                          |                         | MotionMax™                                      |                  |
|                          |                         | mWSaver®  |                  |
|                          |                         | OptoHiT™  |                  |
|                          |                         | OPTOLOGIC®                                      |                  |
|                          |                         | OPTOPLANAR®                                     |                  |
|                          |                         | PowerTrench®                                    |                  |
|                          |                         | PowerXS™  |                  |
|                          |                         | Programmable Active Droop™                      |                  |
|                          |                         | QFET®   |                  |
|                          |                         | QS™   |                  |
|                          |                         | Quiet Series™                                   |                  |
|                          |                         | RapidConfigure™                                 |                  |
|                          |                         | ISOPLANAR™                                      |                  |
|                          |                         | Marking Small Speakers Sound Louder and Better™ |                  |
|                          |                         | MegaBuck™                                       |                  |
|                          |                         | MICROCOUPLER™                                   |                  |
|                          |                         | MicroFET™                                       |                  |
|                          |                         | MillerDrive™                                    |                  |
|                          |                         | MotionMax™                                      |                  |
|                          |                         | mWSaver®  |                  |
|                          |                         | OptoHiT™  |                  |
|                          |                         | OPTOLOGIC®                                      |                  |
|                          |                         | OPTOPLANAR®                                     |                  |
|                          |                         | PowerTrench®                                    |                  |
|                          |                         | PowerXS™  |                  |
|                          |                         | Programmable Active Droop™                      |                  |
|                          |                         | QFET®   |                  |
|                          |                         | QS™   |                  |
|                          |                         | Quiet Series™                                   |                  |
|                          |                         | RapidConfigure™                                 |                  |
|                          |                         | ISOPLANAR™                                      |                  |
|                          |                         | Marking Small Speakers Sound Louder and Better™ |                  |
|                          |                         | MegaBuck™                                       |                  |
|                          |                         | MICROCOUPLER™                                   |                  |
|                          |                         | MicroFET™                                       |                  |
|                          |                         | MillerDrive™                                    |                  |
|                          |                         | MotionMax™                                      |                  |
|                          |                         | mWSaver®  |                  |
|                          |                         | OptoHiT™  |                  |
|                          |                         | OPTOLOGIC®                                      |                  |
|                          |                         | OPTOPLANAR®                                     |                  |
|                          |                         | PowerTrench®                                    |                  |
|                          |                         | PowerXS™  |                  |
|                          |                         | Programmable Active Droop™                      |                  |
|                          |                         | QFET®   |                  |
|                          |                         | QS™   |                  |
|                          |                         | Quiet Series™                                   |                  |
|                          |                         | RapidConfigure™                                 |                  |
|                          |                         | ISOPLANAR™                                      |                  |
|                          |                         | Marking Small Speakers Sound Louder and Better™ |                  |
|                          |                         | MegaBuck™                                       |                  |
|                          |                         | MICROCOUPLER™                                   |                  |
|                          |                         | MicroFET™                                       |                  |
|                          |                         | MillerDrive™                                    |                  |
|                          |                         | MotionMax™                                      |                  |
|                          |                         | mWSaver®  |                  |
|                          |                         | OptoHiT™  |                  |
|                          |                         | OPTOLOGIC®                                      |                  |
|                          |                         | OPTOPLANAR®                                     |                  |
|                          |                         | PowerTrench®                                    |                  |
|                          |                         | PowerXS™  |                  |
|                          |                         |   |                  |