

PLEASE CHECK WWW.MOLEX.COM FOR LATEST PART INFORMATION

Part Number: [0743232031](#)

Status: **Active**

Overview: [MicroCross™ DVI Connectors and Cable Assemblies](#)

Description: MicroCross™ DVI Digital/Analog Single Link Component, High Volume Plug Connector Sub-assembly, Vertical, Gold (Au) Flash, 23 Circuits, Lead-Free

Documents:

[Drawing \(PDF\)](#)

[RoHS Certificate of Compliance \(PDF\)](#)

Agency Certification

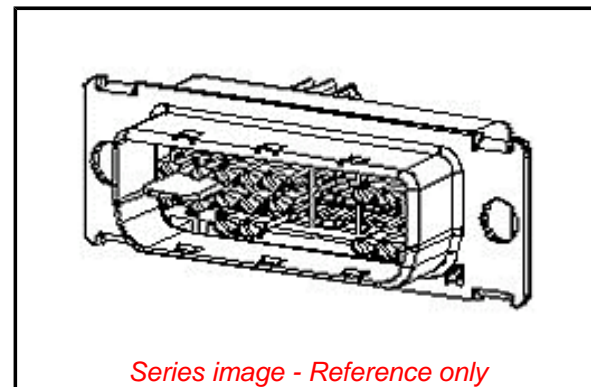
CSA LR19980
UL E29179

General

Product Family I/O Connectors
Series [74323](#)
Application Wire-to-Board
Comments DDWG (Digital Display Working Group) Standard
Component Type I/O Plug Connector Subassembly
Electrical Model Yes
Overview [MicroCross™ DVI Connectors and Cable Assemblies](#)
Product Name MicroCross™DVI
Type N/A
UPC 800754826037

Physical

Boot Color N/A
Circuits (Loaded) 23
Circuits (maximum) 29
Circuits Detail Circuits 1-3,6-8,9-11,14-16,17-19,22-24; C1-C5 are loaded.
Color - Resin Black
Durability (mating cycles max) 100
Flammability 94V-0
Keying to Mating Part Yes
Lock to Mating Part Yes
Material - Metal Copper Alloy
Material - Plating Mating Gold
Material - Plating Termination Tin
Material - Resin High Temperature Thermoplastic
Net Weight 7.936/g
Number of Rows 3
Orientation Vertical
PCB Retention None
Packaging Type Tray
Panel Mount N/A
Pitch - Mating Interface 1.90mm, 2.54mm
Pitch - Termination Interface 1.90mm, 2.54mm
Plating min - Mating 0.254µm
Plating min - Termination 3.810µm
Polarized to Mating Part Yes
Polarized to PCB Yes
Ports 1
Temperature Range - Operating -20°C to +85°C
Termination Interface: Style Solder or Weld
Waterproof / Dustproof No
Wire Size AWG N/A



Series image - Reference only

EU ELV

Not Relevant

EU RoHS

Compliant

REACH SVHC

Not Contained Per -
ED/21/2016 (20 June
2016)

Halogen-Free

Status

Not Low-Halogen

Need more information on product environmental compliance?

Email productcompliance@molex.com
Please visit the [Contact Us](#) section for any non-product compliance questions.

China ROHS
ELV

Green Image
Not Relevant

Search Parts in this Series

[74323 Series](#)

Mates With

Other Receptacle components, [74320 DVI Receptacle](#), [67351 DVI Receptacle](#)

Application Tooling | FAQ

Tooling specifications and manuals are found by selecting the products below. Crimp Height Specifications are then contained in the Application Tooling Specification document.

Global

Description	Product #
Soldering Fixture	0621003700

Electrical

Current - Maximum per Contact	3.0A
Grounding to Panel	Yes
Shield Type	Full Shield
Shielded	Yes
Voltage - Maximum	40V AC (RMS)

Material Info**Reference - Drawing Numbers**

Electrical Model Document	EE-74320-002
S-Parameter Model	SP-74320-002
Sales Drawing	SD-74323-003

This document was generated on 09/21/2016

PLEASE CHECK WWW.MOLEX.COM FOR LATEST PART INFORMATION