

# Product/Process Change Notice (PCN)



- Major change  
 Minor change

PCN #: ConUSB\_20160513  
 Product Affected: 651005136521  
 PCN Date: May 27<sup>th</sup>, 2016  
 Effective Date: August 29<sup>th</sup>, 2016  
 Contact: Product Management  
 Tel: +49 7942 945-5001  
 Fax: +49 7942 945-5179  
 E-mail: [PCN.eican@we-online.de](mailto:PCN.eican@we-online.de)

- Product Mark  
 Date Code  
 Packaging  
 Others

Attachment:  Yes  No

Samples: Yes

## DESCRIPTION AND PURPOSE OF CHANGE:

To ensure an improvement in product reliability and processability we changed the design of the product.

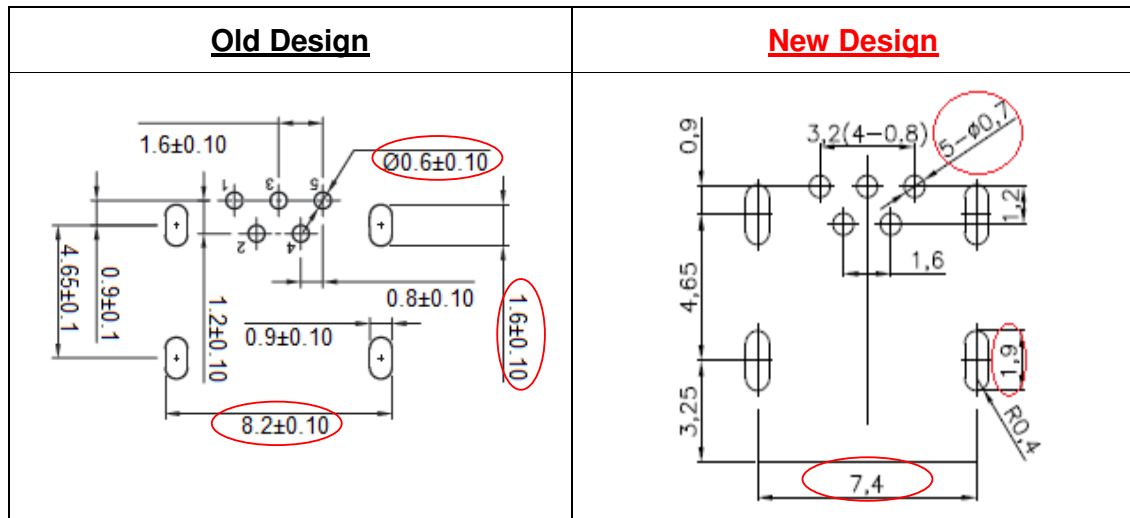
A fully automatized process will be implemented and CCD inspection controls will be added.

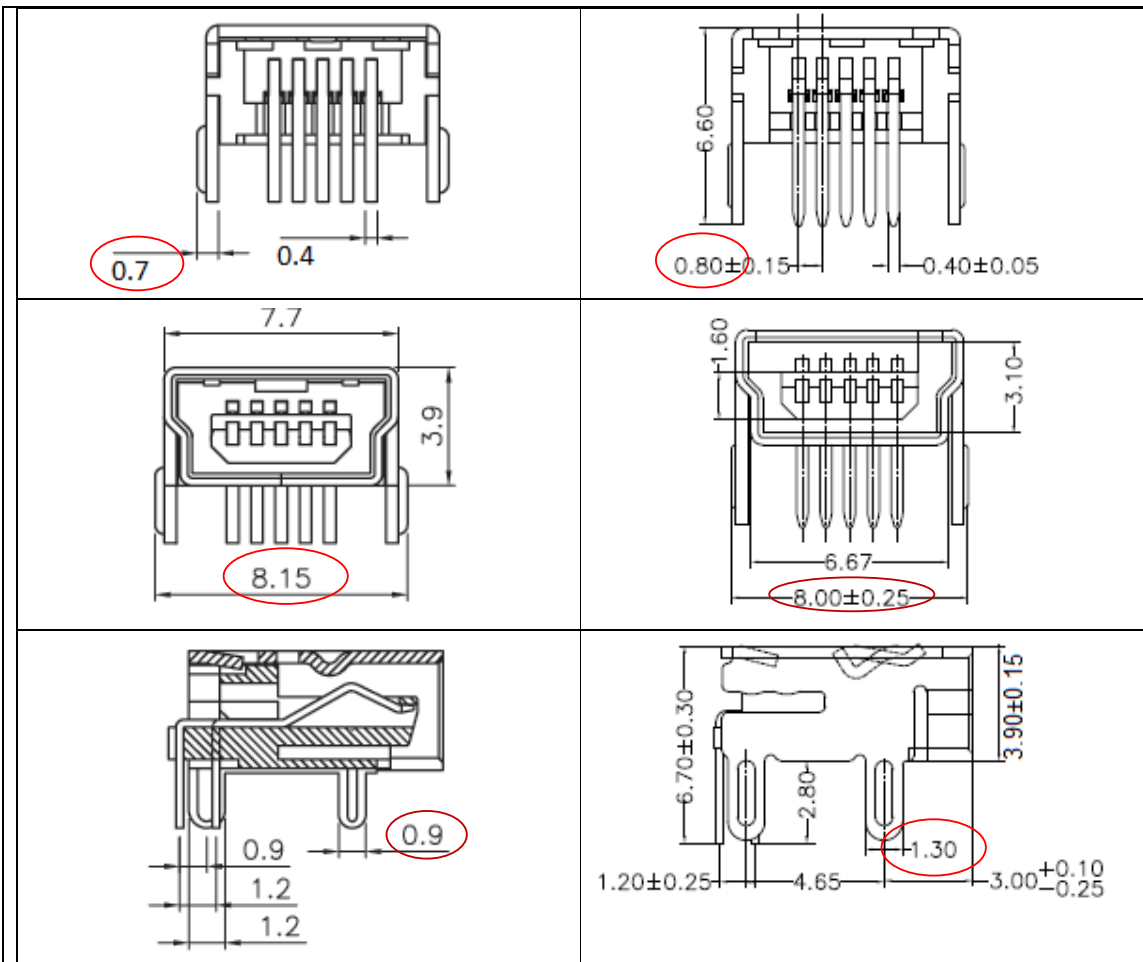
There are design changes but the electrical properties remain the same.

1. New version of product fits with previous layout and mechanical modifications are minor.
2. The packaging will be changed due to internal standardization
3. To enhance the product reliability, plastic is changed to High Temperature Plastic.

## DETAIL OF CHANGE:

1. The design changes are summarized below and marked in red:





2. The dimension and the quantity of the tube is changed.

<u>Old Packaging</u>			<u>New Packaging</u>		
<u>Tube dimension</u>	<u>Qty/Tube</u>	<u>Qty/Carton</u>	<u>Tube dimension</u>	<u>Qty/Tube</u>	<u>Qty/Carton</u>
260x110x80mm	30 pcs	9600 pcs	435x116x80mm	50 pcs	6000 cs

3. The plastic will be changed from PBT to LCP.

#### RELIABILITY / QUALIFICATION SUMMARY:

Product approval is according to the specification and is internally released by the Product Management Departments.

DATA SHEET CHANGE:

Yes

No

Würth Elektronik eiSos GmbH & Co. KG

D-74638 Waldenburg · Max-Eyth-Strasse 1 · Germany Telefon (+49) (0) 7942 - 945 - 0 Telefax (+49) (0) 7942 - 945 - 5000