

Würth Elektronik eiSos GmbH & Co. KG

EMC & Inductive Solutions

Max-Eyth-Straße 1 · 74638 Waldenburg · Germany

Tel. +49 (0) 79 42 945-0 · Fax +49 (0) 79 42 945-400

eiSos@we-online.de · www.we-online.de



Product/Process Change Notice (PCN)

- Major change
 Minor change

PCN #: WE_LQS_20160913

Product Affected: WE-LQS size 2512 series

PCN Date: September 13th 2016

Effective Date: December 13th 2016

- Product Mark
 Date Code
 Packaging
 Others

Contact: Product Management

Phone: +49 (0) 7942 - 945 5001

Fax: +49 (0) 7942 - 945 5179

E-mail: pcn.eisos@we-online.de

Attachment: Yes No

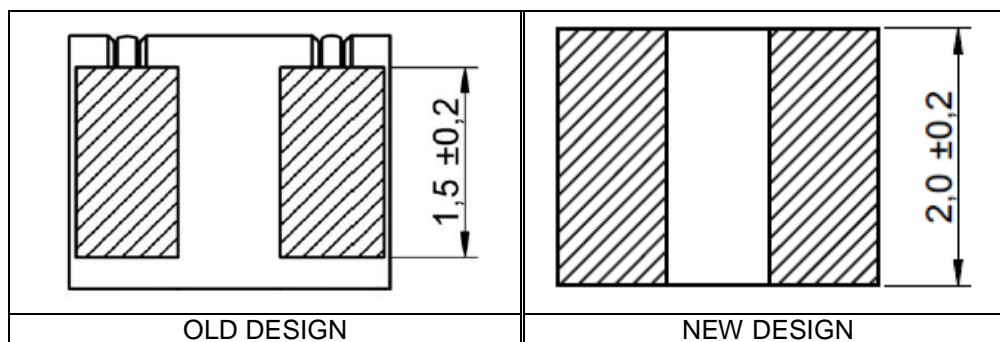
Samples:

DESCRIPTION AND PURPOSE OF CHANGE:

To improve the Quality of the soldering process, the dimension of the plated electrodes have been modified for a better stability at customer applications.

DETAIL OF CHANGE:

The Dimension of the electrode has been increased from 1.5 mm to 2.0 mm. At the next figure we see in detail the change:



RELIABILITY / QUALIFICATION SUMMARY:

Product approval is according to the specification and is internally released by the Product Management Department.

Würth Elektronik eiSos GmbH & Co. KG Sitz Waldenburg, Registergericht Stuttgart HRA 580801

Komplementär Würth Elektronik eiSos Verwaltungs-GmbH, Sitz Waldenburg, Registergericht Stuttgart HRB 581033 · Geschäftsführer Oliver Konz, Thomas Schrott

Bankverbindungen UniCredit Bank AG Stuttgart, Konto 322 620 136, BLZ 600 202 90, IBAN DE86 6002 0290 0322 6201 36, SWIFT/BIC HYVEDEMM473

USt-IdNr. DE220618976

Würth Elektronik eiSos GmbH & Co. KG

EMC & Inductive Solutions

Max-Eyth-Straße 1 · 74638 Waldenburg · Germany

Tel. +49 (0) 79 42 945-0 · Fax +49 (0) 79 42 945-400

eiSos@we-online.de · www.we-online.de



DATA SHEET CHANGE:

Yes

No