

HINGED COVER WIRING TROUGH, NEMA TYPE 12

INDUSTRY STANDARDS

UL 870 Listed; File No. E27524

NEMA Type 12
 JIC standards EGP-1-1967 and EMP-1-1967
 CSA, File No. 42184, Type 1
 IEC 60529, IP55

APPLICATION

This wiring trough meets basic functionality requirements for moist or dirty applications, with the added feature of a hinged, screw clamp cover for easy access.

FEATURES

- Ends and seams continuously welded and ground smooth
- No holes or knockouts
- Butt hinges
- External screw clamps
- Screw clamps
- Oil-resistant gasket and adhesive

SPECIFICATIONS

- 14 gauge steel covers and bodies

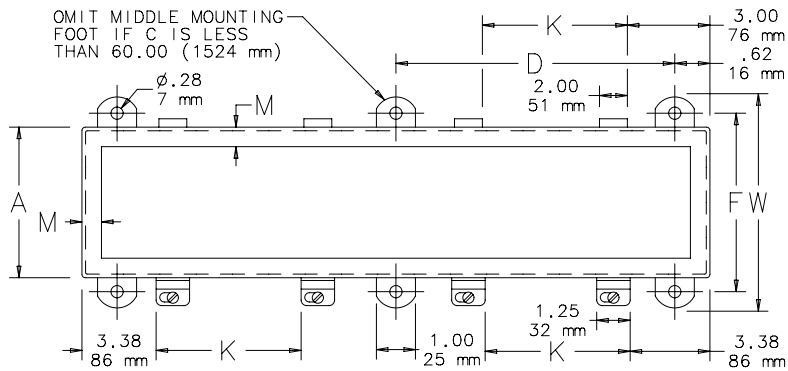
FINISH

ANSI 61 gray polyester powder coating inside and out over pretreated surfaces.

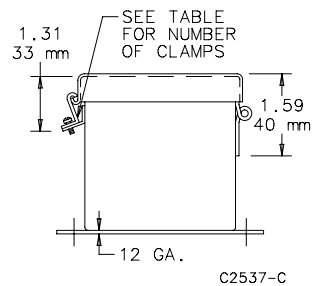
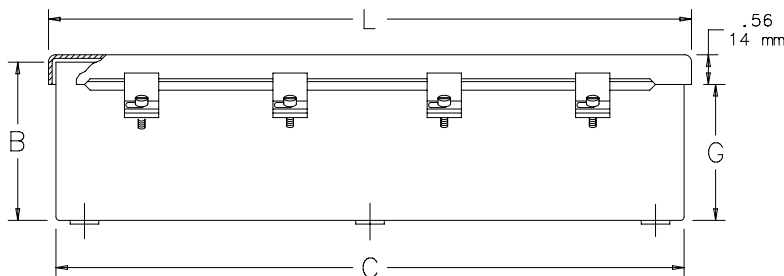
ACCESSORIES

See also *Accessories*.
 Touch-Up Paint

BULLETIN: F20HC



TOP VIEW WITH COVER REMOVED



Standard Product

Catalog Number	AxBxC in./mm	Clamps	Mounting Bracket	D in./mm	F in./mm	G in./mm	K in./mm	L in./mm	M in./mm	W in./mm
F22T12HC	2.50 x 2.50 x 12.00 64 x 64 x 305	2	2	—	3.19 81	2.11 54	—	12.25 311	0.41 10	4.00 102
F22T18HC	2.50 x 2.50 x 18.00 64 x 64 x 457	2	2	—	3.19 81	2.11 54	—	18.25 464	0.41 10	4.00 102
F22T24HC	2.50 x 2.50 x 24.00 64 x 64 x 610	2	2	—	3.19 81	2.11 54	—	24.25 616	0.41 10	4.00 102
F22T36HC	2.50 x 2.50 x 36.00 64 x 64 x 914	3	3	—	3.19 81	2.11 54	14.00 356	36.25 921	0.41 10	4.00 102
F22T48HC	2.50 x 2.50 x 48.00 64 x 64 x 1219	3	2	—	3.19 81	2.11 54	20.00 508	48.25 1226	0.41 10	4.00 102
F22T60HC	2.50 x 2.50 x 60.00 64 x 64 x 1524	4	3	29.38 746	3.19 81	2.11 54	17.34 440	60.25 1530	0.41 10	4.00 102
F22T72HC	2.50 x 2.50 x 72.00 64 x 64 x 1829	5	3	35.38 899	3.19 81	2.11 54	16.00 406	72.25 1835	0.41 10	4.00 102
F44T12HC	4.00 x 4.00 x 12.00 102 x 102 x 305	2	2	—	4.69 119	3.59 91	—	12.25 311	0.41 10	5.50 140
F44T18HC	4.00 x 4.00 x 18.00 102 x 102 x 457	2	2	—	4.69 119	3.59 91	—	18.25 464	0.41 10	5.50 140
F44T24HC	4.00 x 4.00 x 24.00 102 x 102 x 610	2	2	—	4.69 119	3.59 91	—	24.25 616	0.41 10	5.50 140
F44T30HC	4.00 x 4.00 x 30.00 102 x 102 x 762	3	2	—	4.69 119	3.59 91	11.00 279	30.25 768	0.41 10	5.50 140
F44T36HC	4.00 x 4.00 x 36.00 102 x 102 x 914	3	2	—	4.69 119	3.59 91	14.00 356	36.25 921	0.41 10	5.50 140
F44T48HC	4.00 x 4.00 x 48.00 102 x 102 x 1219	3	2	—	4.69 119	3.59 91	20.00 508	48.25 1226	0.41 10	5.50 140
F44T60HC	4.00 x 4.00 x 60.00 102 x 102 x 1524	4	3	29.38 746	4.69 119	3.59 91	17.34 440	60.25 1530	0.41 10	5.50 140
F44T72HC	4.00 x 4.00 x 72.00 102 x 102 x 1829	5	3	35.38 899	4.69 119	3.59 91	16.00 406	72.25 1835	0.56 14	5.50 140
F66T12HC	6.00 x 6.00 x 12.00 152 x 152 x 305	2	2	—	6.69 170	5.59 142	—	12.25 311	0.41 10	7.50 191
F66T18HC	6.00 x 6.00 x 18.00 152 x 152 x 457	2	2	—	6.69 170	5.59 142	—	18.25 464	0.41 10	7.50 191
F66T24HC	6.00 x 6.00 x 24.00 152 x 152 x 610	2	2	—	6.69 170	5.59 142	—	24.25 616	0.41 10	7.50 191
F66T30HC	6.00 x 6.00 x 30.00 152 x 152 x 762	3	2	—	6.69 170	5.59 142	11.00 279	30.25 768	0.41 10	7.50 191
F66T36HC	6.00 x 6.00 x 36.00 152 x 152 x 914	3	2	—	6.69 170	5.59 142	14.00 356	36.25 921	0.41 10	7.50 191
F66T48HC	6.00 x 6.00 x 48.00 152 x 152 x 1219	3	2	—	6.69 170	5.59 142	20.00 508	48.25 1226	0.41 10	7.50 191
F66T60HC	6.00 x 6.00 x 60.00 152 x 152 x 1524	4	3	29.38 746	6.69 170	5.59 142	17.34 440	60.25 1530	0.41 10	7.50 191
F66T72HC	6.00 x 6.00 x 72.00 152 x 152 x 1829	5	3	35.38 899	6.69 170	5.59 142	16.00 406	72.25 1835	0.56 14	7.50 191
F88T12HC	8.00 x 8.00 x 12.00 203 x 203 x 305	2	2	—	8.69 221	7.61 193	—	12.25 311	0.75 19	9.50 241
F88T24HC	8.00 x 8.00 x 24.00 203 x 203 x 610	2	2	—	8.69 221	7.61 193	n/a	24.25 616	0.75 19	9.50 241
F88T36HC	8.00 x 8.00 x 36.00 203 x 203 x 914	3	2	—	8.69 221	7.61 193	14.00 356	36.25 921	0.75 19	9.50 241
F88T48HC	8.00 x 8.00 x 48.00 203 x 203 x 1219	3	2	—	8.69 221	7.61 193	20.00 508	48.25 1226	0.75 19	9.50 241
F88T60HC	8.00 x 8.00 x 60.00 203 x 203 x 1524	4	3	29.38 746	8.69 221	7.61 193	17.34 440	60.25 1530	0.75 19	9.50 241
F1212T60HC	12.00 x 12.00 x 60.00 305 x 305 x 1524	4	3	29.38 746	12.69 322	11.61 295	17.34 440	60.25 1530	0.75 19	13.50 343
F1212T24HC	12.00 x 12.00 x 24.00 305 x 305 x 610	2	2	—	12.69 322	11.61 295	—	24.25 616	0.75 19	13.50 343
F1212T36HC	12.00 x 12.00 x 36.00 305 x 305 x 914	3	2	—	12.69 322	11.61 295	14.00 357	36.25 921	0.75 19	13.50 343
F1212T48HC	12.00 x 12.00 x 48.00 305 x 305 x 1219	3	2	—	12.69 322	11.61 295	20.00 508	48.25 1226	0.75 19	13.50 343