

SR TOP-MOUNT

INDUSTRY STANDARDS

UL (fan motor only)

CE, CSA (fan motor only)

APPLICATION

- Industrial automation
- Automotive assembly
- Package handling equipment
- Food and beverage process controls
- Wind energy systems

FEATURES

- Free airflow up to 280 CFM (475 m³/hr.) or 459 CFM (780 m³/hr.)
- Enclosure roof mounting
- Bolt in place to ensure a tight seal
- Terminal wire connections

FINISH

- RAL 7035 light-gray UV-resistant mild steel standard
- RAL 9011 black UV-resistant mild steel optional

NOTES

Visit www.PentairProtect.com to download 2D and 3D CAD drawings into the overall design of your electronic system.

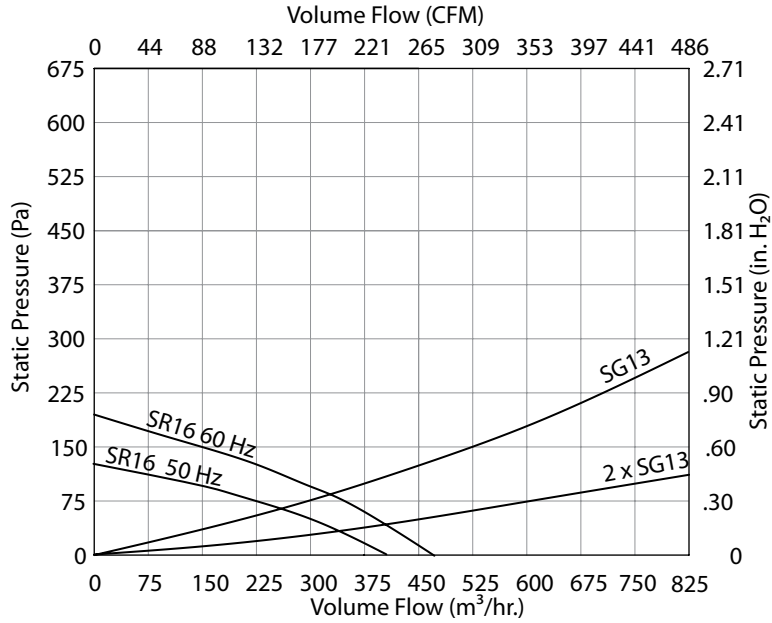
Performance Data SR16 280 CFM (475 m³/hr.) Roof-Mount Filter Fan

ELECTRICAL DATA		
Rated Voltage	115	230
Frequency (Hz)	50 / 60	50 / 60
Nominal Current Maximum (Amps)	.35 / .40	.20 / .21
Power Consumption Maximum (Watts)	40 / 45	40 / 45
Power Connection	Terminal Block	
FILTER FANS		
RAL 7035 Light Gray:		
Catalog Number	SR1616414	SR1626414
Free Airflow (CFM / m ³ /hr.)	227 / 386	227 / 386
Airflow with 1 Exhaust Grille (CFM / m ³ /hr.)	151 / 257	151 / 257
Airflow with 2 Exhaust Grilles (CFM / m ³ /hr.)	183 / 311	183 / 311
FILTER FAN UNIT CONSTRUCTION		
Fan RPM	1430 / 1700	1430 / 1700
Sound Pressure (dBA)	58 / 62	58 / 62
Operating Temperature Range:		
Maximum [°F / °C]	140 / 60	140 / 60
Minimum [°F / °C]	14 / -10	14 / -10
Service Life (hours)	40,000	40,000
Unit Dimensions - H x W x D (in. / mm)	13.52 x 16.27 x 4.19 / 343 x 413 x 107	
Cutout Dimensions - H x W (in. / mm)	10.43 x 13.58 / 265 x 345	
Weight (lb. / kg)	17.20 / 7.8	
EXHAUST GRILLES		
RAL 7035 Light Gray:		
Catalog Number	SG1300404	
ACCESSORIES		
Replacement Filters:		
Catalog Number	10100063	
Thermostat Catalog Number	TWR60	

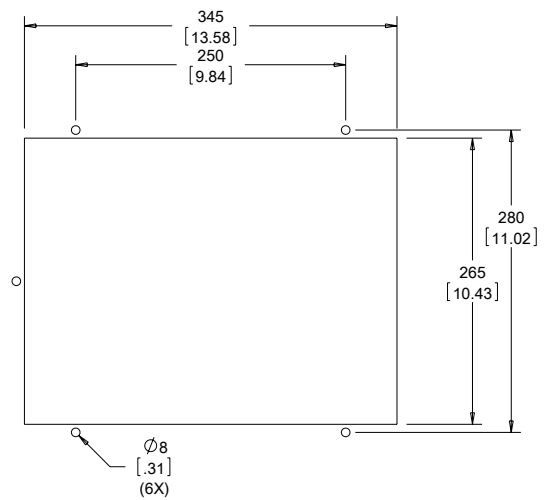
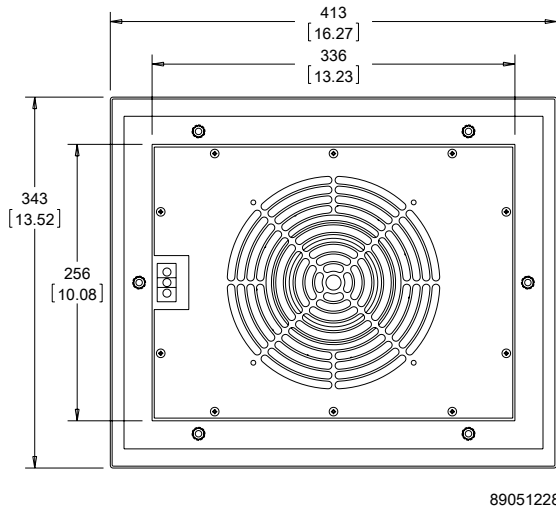
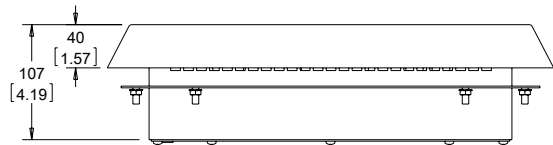
Above airflow rates at 60 Hz; see performance curves for airflow at 50 Hz and more details.

Unit depth is from the back edge of the grille to the back of the fan.

SR16 280 CFM (475 m³/hr.) Roof-Mount Filter Fan
Performance Curve



Filter Fan SR16 28 CFM (475 m³/hr.)



CUTOUT DIMENSIONS

Visit www.PentairProtect.com to download 2D and 3D CAD drawings into the overall design of your electronic system.

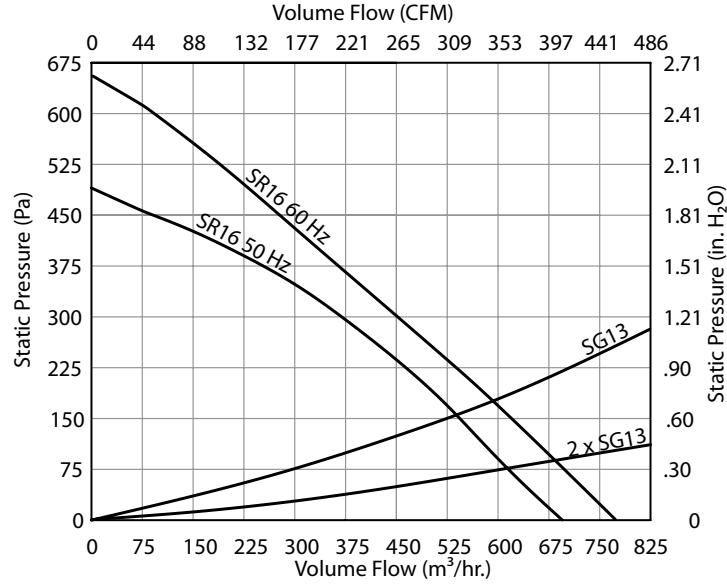
Performance Data SR16 459 CFM (780 m³/hr.) Roof-Mount Filter Fan

ELECTRICAL DATA		
Rated Voltage	115	230
Frequency (Hz)	50 / 60	50 / 60
Nominal Current Maximum (Amps)	.60 / .80	.55 / .73
Power Consumption Maximum (Watts)	100 / 130	110 / 150
Power Connection	Terminal Block	
FILTER FANS		
RAL 7035 Light Gray:		
Catalog Number	SR1616424	SR1626424
Free Airflow (CFM / m ³ /hr.)	459 / 780	459 / 780
Airflow with 1 Exhaust Grille (CFM / m ³ /hr.)	347 / 590	347 / 590
Airflow with 2 Exhaust Grilles (CFM / m ³ /hr.)	400 / 680	400 / 680
FILTER FAN UNIT CONSTRUCTION		
Fan RPM	2650 / 2950	2650 / 2950
Sound Pressure (dBA)	73 / 76	73 / 76
Operating Temperature Range:		
Maximum (°F / °C)	140 / 60	140 / 60
Minimum (°F / °C)	14 / -10	14 / -10
Service Life (hours)	40,000	40,000
Unit Dimensions - H x W x D (in. / mm)	13.52 x 16.27 x 4.19 / 343 x 413 x 107	
Cutout Dimensions - H x W (in. / mm)	10.43 x 13.58 / 265 x 345	
Weight (lb. / kg)	17.20 / 7.8	
EXHAUST GRILLES		
RAL 7035 Light Gray:		
Catalog Number	SG1300404	
ACCESSORIES		
Replacement Filters:		
Catalog Number	10100063	
Thermostat Catalog Number	TWR60	

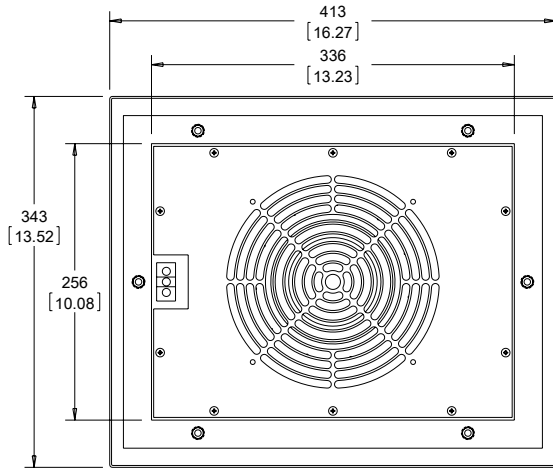
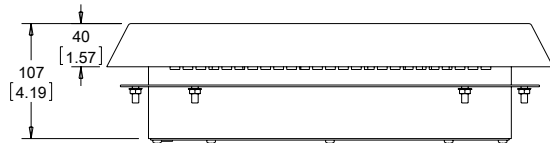
Above airflow rates at 60 Hz; see performance curves for airflow at 50 Hz and more details.

Unit depth is from the back edge of the grille to the back of the fan.

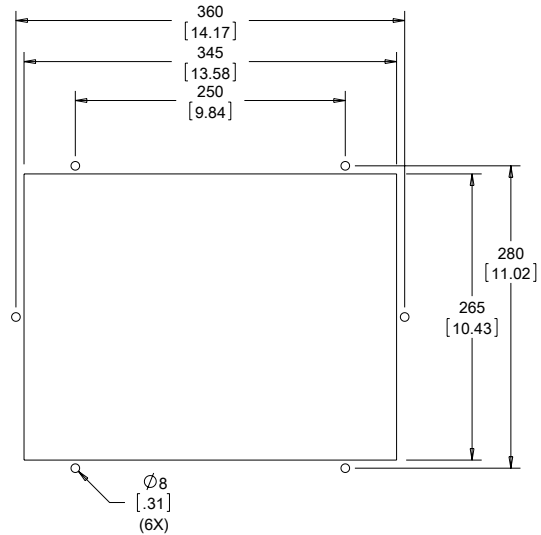
SR16 459 CFM (780 m³/hr.) Roof-Mount Filter Fan
Performance Curve



Filter Fan SR16 459 CFM (780 m³/hr)



89051229



CUTOUT DIMENSIONS

Visit www.PentairProtect.com to download 2D and 3D CAD drawings into the overall design of your electronic system.