

FLAT COVER WITH SCREWS, TYPE 4X

INDUSTRY STANDARDS

UL 508A Listed; Type 3, 3R, 4, 4X, 12, 13; File No. E54315
 cUL Listed per CSA C22.2 No 94; Type 3, 3R, 4, 4X, 12, 13; File No. E54315
 Enclosure flammability per UL 508A

NEMA/EEMAC Type 3, 3R, 4, 4X, 12, 13
 CSA File No. 217184: Type 3, 3R, 4, 4X, 12, 13
 IEC 60529, IP66
 Meets NEMA Type 3RX requirements

APPLICATION

Enclosures feature a flat, overlapping cover design that ensures a more-secure seal. Available with removable and hinged covers for application flexibility.

SPECIFICATIONS

- Compression-molded fiberglass construction
- Overlapping flat, solid-covers
- Cover fastens with screws
- Type 304 stainless steel piano hinges on hinged models
- Integral mounting brackets
- Enclosures protect equipment and operators from indirect electrical contact
- Material is halogen free

FINISH

Standard fiberglass material finish is RAL 7035 light-gray inside and out. Optional steel panels are painted white. Optional stainless steel, aluminum, conductive and composite panels are unpainted.

ACCESSORIES

See also Accessories.
 H2OMIT Vent Drains, Type 4X
 HOL-SEALERS Non-Metallic Hole Seals
 Panels for Junction Boxes
 Swing-Out Panel Kit
 Terminal Block Kit Assembly for Junction Boxes Overview

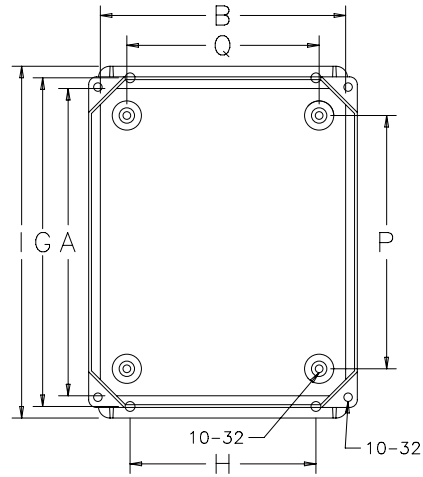
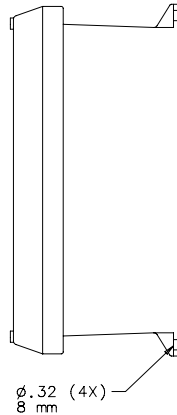
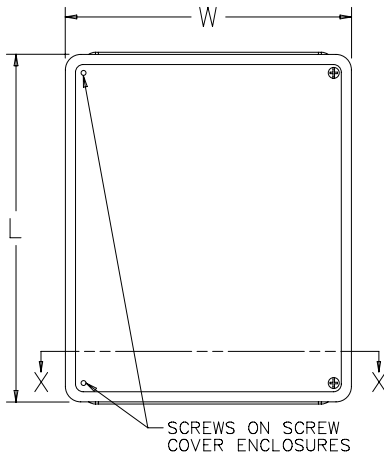
BULLETIN: HJ

Standard Product

Catalog Number	AxBxC in./mm	Door Fasteners	D in./mm	F in./mm	G in./mm	H in./mm	I in./mm	J in./mm	K in./mm	L in./mm	P in./mm	Q in./mm	W in./mm	Steel Panel	Aluminum Panel	Panel Size in./mm
HJ606HWLG	5.71 x 5.72 x 4.05	Hinged,	4.90	4.62	6.75	4.00	7.51	4.28	1.38	6.00	4.25	4.25	5.97	A6P6	A6P6AL	4.88 x 4.88
	145 x 145 x 103	2 screws	125	118	171	102	191	109	35	152	108	108	152			124 x 124
HJ606WLG	5.71 x 5.72 x 4.05	4 screws	4.90	4.62	6.75	4.00	7.51	4.28	1.38	6.00	4.25	4.25	5.97	A6P6	A6P6AL	4.88 x 4.88
	145 x 145 x 103		125	118	171	102	191	109	35	152	108	108	152			124 x 124
HJ806HWLG	7.71 x 5.72 x 4.05	Hinged,	4.90	4.62	8.75	4.00	9.51	4.28	1.38	9.31	6.25	4.25	7.31	A8P6	A8P6AL	6.75 x 4.88
	196 x 145 x 103	2 screws	125	118	222	102	242	109	35	236	159	108	186			171 x 124
HJ806WLG	7.71 x 5.72 x 4.05	4 screws	4.90	4.62	8.75	4.00	9.51	4.28	1.38	9.31	6.25	4.25	7.31	A8P6	A8P6AL	6.75 x 4.88
	196 x 145 x 103		126	118	222	102	242	109	35	236	159	108	186			171 x 124
HJ1008HWLG	9.71 x 7.21 x 4.30	Hinged,	5.15	4.88	10.75	6.00	11.51	4.28	1.67	11.25	8.25	6.24	9.25	A10P8	A10P8AL	8.75 x 6.88
	247 x 196 x 109	2 screws	131	125	273	152	292	109	42	286	210	158	235			222 x 102
HJ1008WLG	9.71 x 7.21 x 4.30	4 screws	5.15	4.88	10.75	6.00	11.51	4.28	1.67	11.25	8.25	6.24	9.25	A10P8	A10P8AL	8.75 x 6.88
	247 x 196 x 109		131	125	273	152	292	109	42	286	210	158	235			222 x 102
HJ1210HWLG	11.68 x 9.69 x 4.62	Hinged,	5.42	5.20	12.75	8.00	13.51	4.66	1.77	13.23	10.25	8.25	11.23	A12P10	A12P10AL	10.75 x 8.88
	297 x 246 x 117	2 screws	138	132	324	203	343	118	45	336	260	210	285			273 x 226
HJ1210WLG	11.68 x 9.69 x 4.62	4 screws	5.42	5.20	12.75	8.00	13.51	4.66	1.77	13.23	10.25	8.25	11.23	A12P10	A12P10AL	10.75 x 8.88
	297 x 246 x 117		138	132	324	203	343	118	45	336	260	210	285			273 x 226
HJ1412HWLG	13.81 x 11.81 x 5.99	Hinged,	6.79	6.44	14.75	10.00	15.51	5.63	1.75	15.29	10.25	12.25	13.29	A14P12	A14P12AL	12.75 x 10.88
	351 x 300 x 152	2 screws	172	164	375	254	394	143	45	388	260	311	338			324 x 276
HJ1412WLG	13.81 x 11.81 x 5.99	4 screws	6.79	6.44	14.75	10.00	15.51	5.63	1.75	15.29	10.25	12.25	13.29	A14P12	A14P12AL	12.75 x 10.88
	351 x 300 x 152		172	164	375	254	394	143	45	388	260	311	338			324 x 276
HJ1614HWLG	15.81 x 13.81 x 5.99	Hinged,	6.68	6.44	16.75	12.00	17.51	5.63	1.75	17.29	14.25	12.25	15.29	A16P14	A16P14AL	14.75 x 12.88
	402 x 351 x 152	2 screws	170	164	425	305	445	143	45	439	362	311	388			375 x 327
HJ1614WLG	15.81 x 13.81 x 5.99	4 screws	6.68	6.44	16.75	12.00	17.51	5.63	1.75	17.29	14.25	12.25	15.29	A16P14	A16P14AL	14.75 x 12.88
	402 x 351 x 152		170	164	425	305	445	143	45	439	362	311	388			375 x 327
HJ1816HWLG	17.81 x 15.81 x 8.86	Hinged,	9.55	9.32	18.75	12.00	19.51	8.56	1.75	19.29	16.25	14.25	17.29	A18P16	A18P16AL	16.75 x 14.88
	452 x 402 x 225	2 screws	243	237	476	305	495	217	45	790	413	362	439			425 x 378
HJ1816WLG	17.81 x 15.81 x 8.86	4 screws	9.55	9.32	18.75	12.00	19.51	8.56	1.75	19.29	16.25	14.25	17.29	A18P16	A18P16AL	16.75 x 14.88
	452 x 402 x 225		243	237	476	305	495	217	45	790	413	362	439			425 x 378

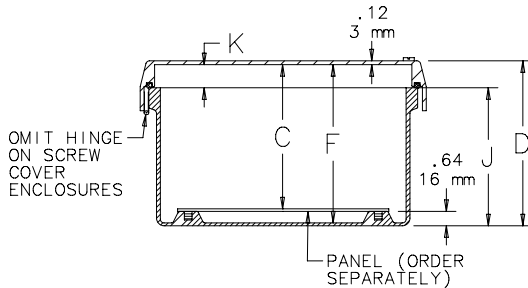
A x B x C are internal dimensions.

Purchase panels separately. Optional stainless steel, composite and aluminum panels are available for most sizes.



Top View with Door/Cover Removed

87575746



SECTION X-X