

## 19-IN. RACK-MOUNTABLE TRAY



### APPLICATION

Fan trays enhance the natural convection airflow within a cabinet when installed with other 19-in. rack-mount equipment.

### FEATURES

- Fan trays available with either three or six 4-in. fans
- Includes 72-in. (1829-mm) power cord with IEC 320 standard power socket
- Power cord plugs into standard 115 VAC outlet
- Lighted rocker switch provides on-off control and indicates when fans are on

### FINISH

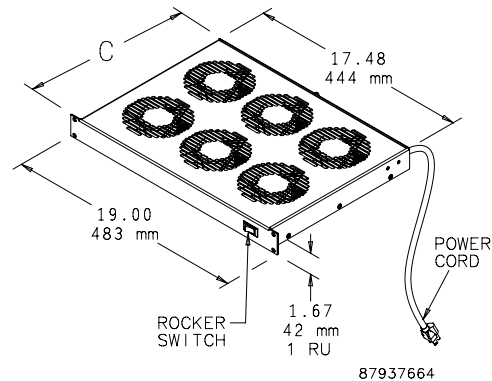
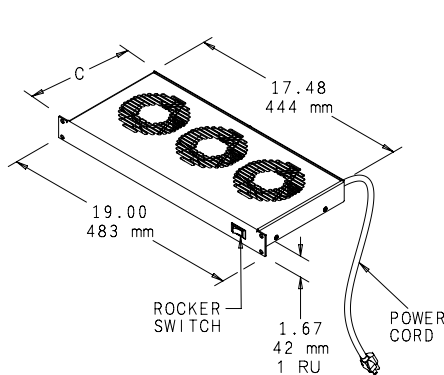
- RAL 9005 black, lightly textured polyester powder paint

### ACCESSORIES

Rack mounting hardware

### Performance Data 19-in. Rack-Mountable Tray

ELECTRICAL DATA		
Rated Voltage	115	115
Frequency (Hz)	60	60
Power Consumption (Watts)	45	90
CATALOG NUMBERS		
	A19FT3B	A19FT6B
Maximum Airflow (CFM)	253	506
Maximum Airflow (m <sup>3</sup> /hr.)	430	860
Nominal Airflow Capacity (CFM)	102	102
Nominal Airflow Capacity (m <sup>3</sup> /hr.)	173	173
UNIT CONSTRUCTION		
Sound Pressure (dBA)	41	41
Maximum Operating Temperature Range (°F/°C)	158/70	158/70
Maximum Static Pressure (in. WC)	0.27	0.27
Number of Fans	3	6
C (in./mm)	8.10/206	12.96/329



## RACK-MOUNT FAN SPEED CONTROL



### INDUSTRY STANDARDS

UL 508 Listed; File No. E249700  
 cUL Listed per CSA C22.2 No. 14; File No. E249700

### APPLICATION

Perfect for offices, classrooms and other noise-sensitive areas. Fan Speed Control optimizes airflow in a cabinet or rack, balancing air volume requirements with noise level and power use.

### FEATURES

- Continuously variable fan speed control knob with minimum speed adjustment
- Uses 1 RU rack space
- Steel construction
- Two NEMA 5-15R outlets provide power to fan
- Six-foot (1.83-m) power cord plugs into standard 120 V 60 Hz outlet

### FINISH

- A19FANSC: RAL 9005 black polyester powder paint

### Performance Data Rack-Mount Fan Speed Controls

CATALOG NUMBERS	
	<b>A19FANSC</b>
ELECTRICAL DATA	
<b>Rated Voltage</b>	<b>120 VAC</b>
Maximum Nominal Current (Amps)	4
Temperature Settings [°F]	86, 95, 104, 113
Temperature Settings [°C]	30, 35, 40, 45
DESIGN DATA	
Description	19-in. Rack-Mount Fan Speed Control
Application	Fan speed adjusted manually

