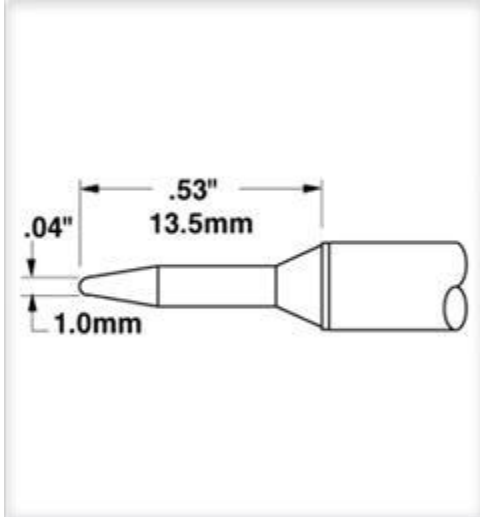


[Home](#) > [Products](#) > [Hand Soldering](#) > [Tips And Cartridges](#) > [MX Cartridges](#) > [STTC Series](#)  
[Conical](#) > [STTC Soldering Cartridge, Conical](#)



## STTC Soldering Cartridge, Conical

### STTC-101

Conical 1.0mm x 13.5mm (.04" x .53")

#### Features and Benefits:

STTC Cartridges provide a wide range of options for through-hole and SMD Rework. For use with the MX-500 and MX-5000 & MX-5200 Systems and with the MX-RM3E and MX-H1-AV Hand-pieces. 700 Series for most standard applications.