

PLEASE CHECK WWW.MOLEX.COM FOR LATEST PART INFORMATION

Part Number: [1300350060](#)
Status: **Active**
Overview: [DeviceNet* Solutions](#)
Description: [DeviceNet* Power Monitor Tee, with LED Functionality, Male to Female](#)

Documents:

[Drawing \(PDF\)](#) [RoHS Certificate of Compliance \(PDF\)](#)

Agency Certification

UL E152210

General

Product Family Industrial Tees and Splitters
 Series [130035](#)
 IP Rating IP67
 Overview [DeviceNet* Solutions](#)
 Product Name DeviceNet* Trunk
 Type Diagnostic Tee
 UPC 78678846363

Physical

Color - Cable Jacket Gray
 Drop Connector Mini-Change®
 Drop Gender Female
 Keyway Single
 LED Indicator Yes
 Left Trunk Connector Mini-Change®
 Left Trunk Gender Male
 Leg 1 Length N/A
 Leg 2 Length N/A
 Material - Cable Jacket N/A
 Material - Connector Body TPE
 Material - Coupling Nut Die-Cast Zinc
 Poles 5
 Right Trunk Connector Mini-Change®
 Right Trunk Gender Female
 Temperature Range - Operating -20°C to +80°C

Electrical

Current - Maximum per Contact 8.0A
 Voltage - Maximum 30V DC

Solder Process Data

Lead-freeProcess Capability N/A

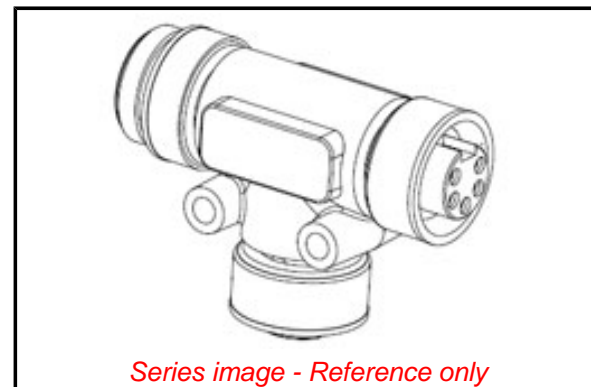
Material Info

Old Part Number DN3020PM-1

Reference - Drawing Numbers

Sales Drawing SD-130035-005

*DeviceNet is a trademark of Open DeviceNet Vendor Association (ODVA).



Series image - Reference only

EU ELV

Not Relevant

EU RoHS

Not Reviewed

REACH SVHC

Not Reviewed

Halogen-Free

Status

Not Reviewed

Need more information on product environmental compliance?

Email productcompliance@molex.com
 Please visit the [Contact Us](#) section for any non-product compliance questions.

China ROHS

Not Reviewed

ELV

Not Relevant

Search Parts in this Series

[130035 Series](#)