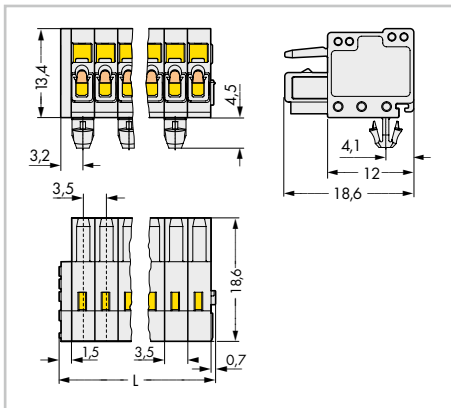
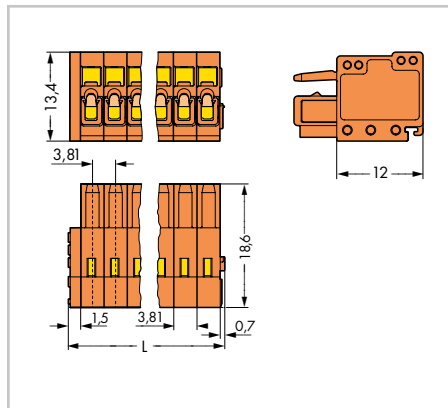


Female Connectors MCS MINI

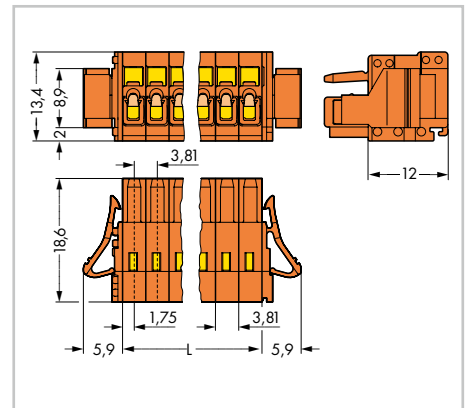
With snap-in mounting feet Pin spacing: 3.5 mm / 0.138 in.		Pin spacing: 3.81 mm / 0.15 in.		With locking levers Pin spacing: 3.81 mm / 0.15 in.	
0.08 ... 1.5 mm ² 160 V/2.5 kV/2 10 A	28 ... 14 AWG 300 V/10 A	0.08 ... 1.5 mm ² 160 V/2.5 kV/2 10 A	28 ... 14 AWG 300 V/10 A	0.08 ... 1.5 mm ² 160 V/2.5 kV/2 10 A	28 ... 14 AWG 300 V/10 A



L = (pole no. x pin spacing) + 2.2 mm



L = (pole no. x pin spacing) + 2.2 mm



L = pole no. x pin spacing

Pole No.	Item No.	Pack. Unit	Pole No.	Item No.	Pack. Unit	Pole No.	Item No.	Pack. Unit
Female connector with snap-in mounting feet, for 0.6 ... 1.2 mm plate thickness, 3.5 mm Ø mounting holes, light gray			Female connector, orange			Female connector with locking levers, orange		
2	734-102/008-000	200	2	734-202	200	2	734-202/037-000	100
3	734-103/008-000	200	3	734-203	200	3	734-203/037-000	100
4	734-104/008-000	100	4	734-204	100	4	734-204/037-000	100
5	734-105/008-000	100	5	734-205	100	5	734-205/037-000	50
6	734-106/008-000	100	6	734-206	100	6	734-206/037-000	50
7	734-107/008-000	100	8	734-208	50	8	734-208/037-000	50
8	734-108/008-000	50	9	734-209	50	9	734-209/037-000	50
9	734-109/008-000	50	10	734-210	50	10	734-210/037-000	50
10	734-110/008-000	50	12	734-212	25	12	734-212/037-000	25
11	734-111/008-000	50	14	734-214	25	14	734-214/037-000	25
12	734-112/008-000	50	16	734-216	25	16	734-216/037-000	25
13	734-113/008-000	50	18	734-218	25	18	734-218/037-000	25
14	734-114/008-000	50	19	734-219	25	19	734-219/037-000	25
16	734-116/008-000	25	20	734-220	25	20	734-220/037-000	25
18	734-118/008-000	25						
20	734-120/008-000	25						
24	734-124/008-000	25						
Three or more pole female connectors have a snap-in mounting foot at every other pole (2-pole female connectors/two snap-in mounting feet)								

Accessory	Page
Mounting adapter for DIN 35 rail, 3 or more poles (209-137)	479