

PCN: V15-001-476103-OA

Product Change Notice

Issue Date: 6th Feb 2015

Change Type:

Change of packaging for all 11mm optical radius of two and three channel codewheels from individual Perspex box to tray design in with 10 cavities.

Current packing: Perspex Box

New Packing: Plastic- 10 cavity tray

Parts Affected:

Listed below are the existing active part numbers. New related part number will be added for customer engagement.

- Metal Code Wheel - HEDS-5120/5140-XXX family
- Mylar Code Wheel - HEDM-5040/5120/5121/5125-XXX, QEDM-5140-XXX family
- Bundling encoder with codewheel part – HEDB-91XX-XXX family

1. Metal Code Wheel - HEDS-5120/5140-XXX family

HEDS-5120#A01	HEDS-5120#E12	HEDS-5120-H05	HEDS-5140#E11
HEDS-5120#A02	HEDS-5120#F05	HEDS-5140#A02	HEDS-5140#E14
HEDS-5120#A03	HEDS-5120#G06	HEDS-5140#A04	HEDS-5140#F04
HEDS-5120#A04	HEDS-5120#H02	HEDS-5140#A05	HEDS-5140#F12
HEDS-5120#A06	HEDS-5120#H06	HEDS-5140#A06	HEDS-5140#F14
HEDS-5120#A11	HEDS-5120#H11	HEDS-5140#A11	HEDS-5140#G06
HEDS-5120#A12	HEDS-5120#H12	HEDS-5140#A12	HEDS-5140#G12
HEDS-5120#A14	HEDS-5120-H13	HEDS-5140#A13	HEDS-5140#I02
HEDS-5120#C02	HEDS-5120#H14	HEDS-5140#A14	HEDS-5140#I04
HEDS-5120#C11	HEDS-5120#I06	HEDS-5140#C06	HEDS-5140#I12
HEDS-5120#C12	HEDS-5120#I12	HEDS-5140#C12	HEDS-5140-G13
HEDS-5120#C13	HEDS-5120#I13	HEDS-5140#C13	
HEDS-5120#C14	HEDS-5120#K13	HEDS-5140#E06	

2. Mylar Code Wheel - HEDM-5040/5120/5121/5125-XXX, QEDM-5140-XXX family

QEDM-5140-J18	HEDM-5120#B12
HEDM-5040-B12	HEDM-5120#J06
HEDM-5120#B02	HEDM-5121#B06
HEDM-5120#B06	HEDM-5125-B00
HEDM-5120#B11	

3. Bundling encoder with code wheel part – HEDB-91XX-XXX family

HEDB-9100-A14	HEDB-9141-B12
HEDB-9100-C12	HEDB-9141-C12
HEDB-9100-I11	HEDB-9141-E12
HEDB-9140-A12	HEDB-9141-G12
HEDB-9140-I13	HEDB-9141-J12
HEDB-9141-A12	

Description and Extent of Change:

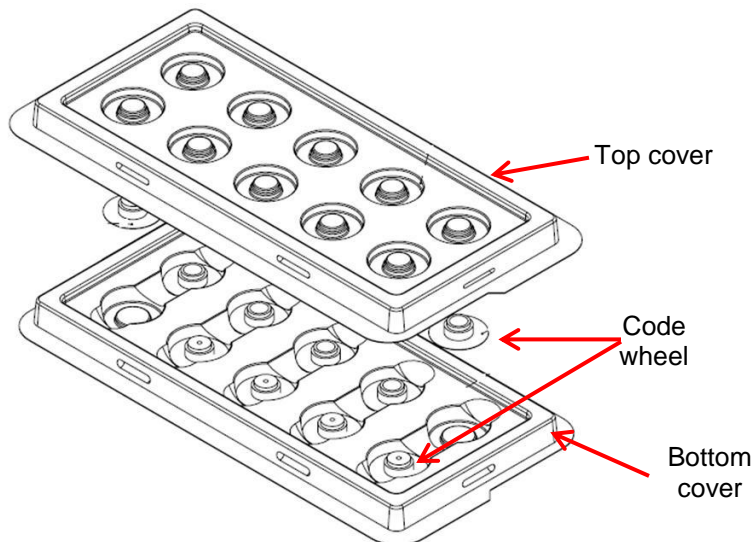
Current packing of Code wheel using individual Perspex box

1) Below photo is the current individual Perspex box.

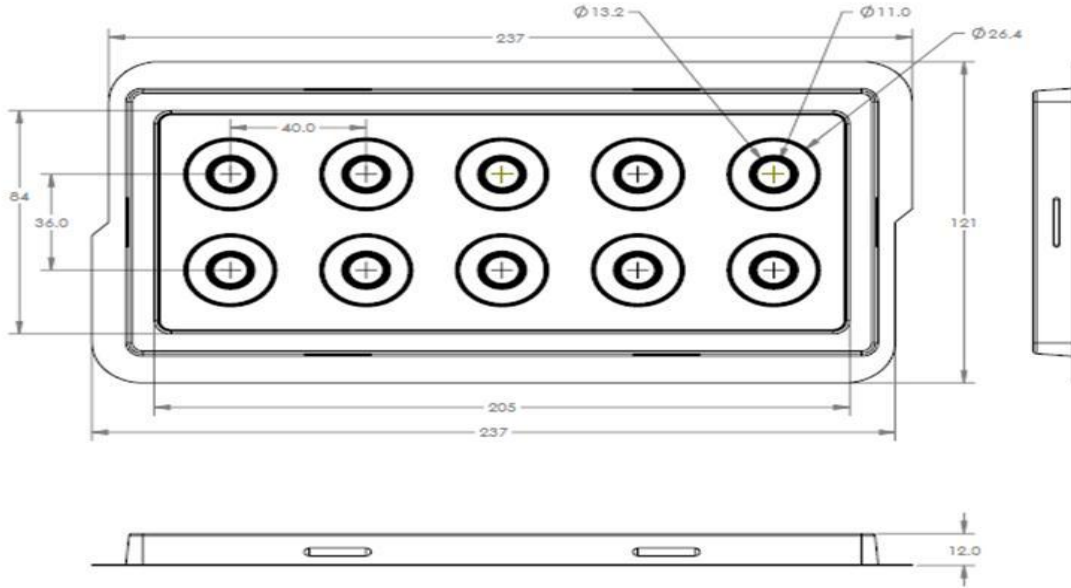
i). Individual Perspex box



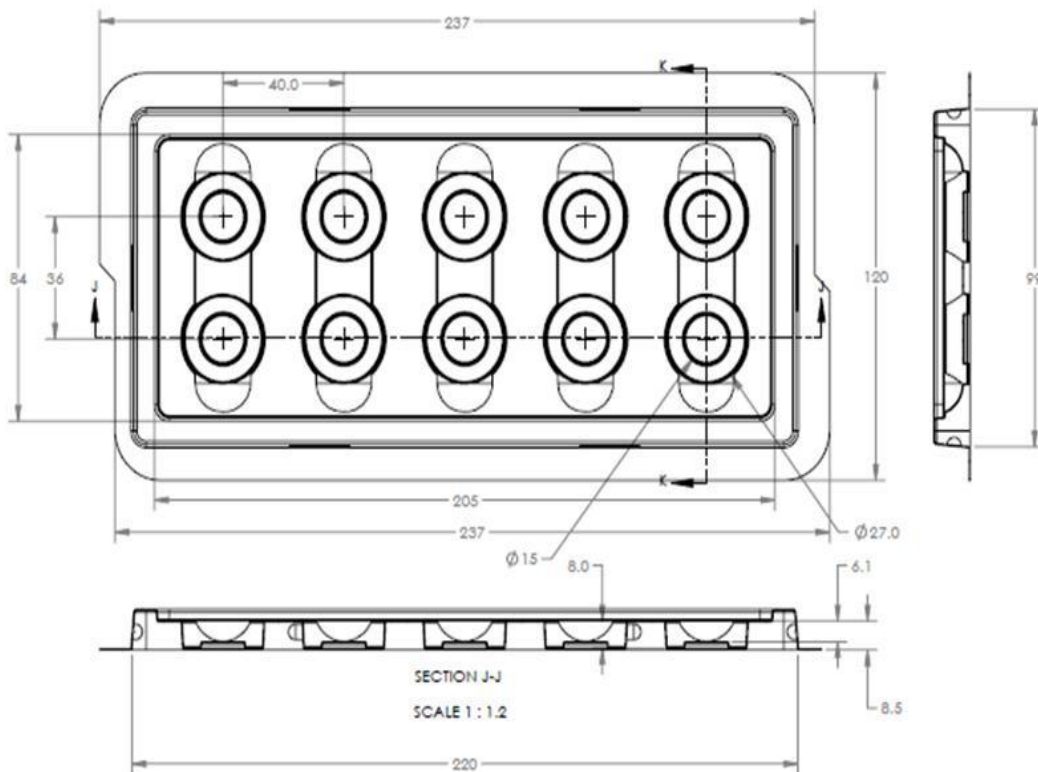
ii). Code wheel packing with 10 units per tray



Top Cover and Dimensions



Bottom part and Dimensions





Summary:

The individual perspex box packing for code wheel is upgraded with the 10 cavity tray for better inventory control and assurance of supply.

Reasons for Change:

- Inventory control handling purposes
- Assurance of Supply

Effect of Change on Fit, Form, Function, Quality, or Reliability:

No impact to product form, fit, function and performance at the product level. Proper quality and reliability test have been assessed for volume production.

Effective Date of Change:

Product shipment using this change will commence on or around early of March '2015.

These changes have been reviewed and approved by Avago Technologies engineers and managers per Avago Technologies procedure: Change Control and Customer Notification.

Please contact your Avago Technologies field sales engineer or Contact Center (<http://www.avagotech.com/contact/>) for any questions or support requirements. Please return any response as soon as possible, but not to exceed 30 days.