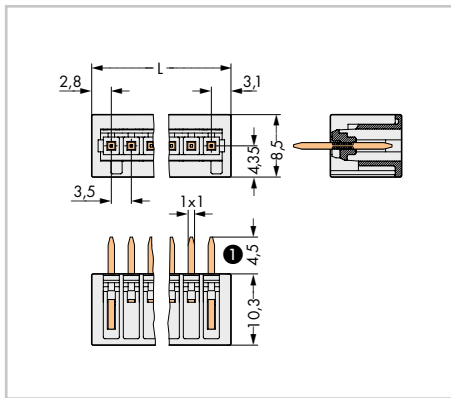
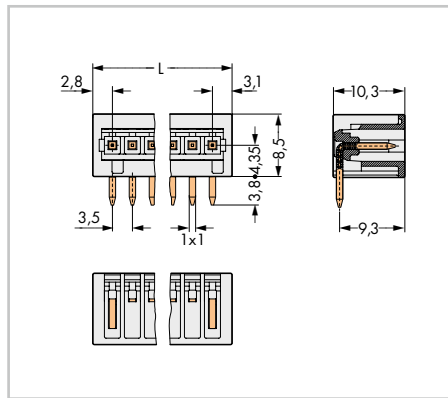


Male Headers with Solder Pins MCS MINI

With straight solder pins Pin spacing: 3.5 mm / 0.138 in.		With angled solder pins Pin spacing: 3.5 mm / 0.138 in.	
160 V/2.5 kV/2 10 A	300 V/10 A	160 V/2.5 kV/2 10 A	300 V/10 A



L = (pole no. - 1) x pin spacing + 5.9 mm



L = (pole no. - 1) x pin spacing + 5.9 mm

Pole No.	Item No.	Pack. Unit	Pole No.	Item No.	Pack. Unit
Male header with straight solder pins, light gray			Male header with angled solder pins, light gray		
2	734-132	200	2	734-162	200
3	734-133	200	3	734-163	200
4	734-134	200	4	734-164	200
5	734-135	200	5	734-165	200
6	734-136	100	6	734-166	100
7	734-137	100	7	734-167	100
8	734-138	100	8	734-168	100
9	734-139	100	9	734-169	100
10	734-140	100	10	734-170	100
11	734-141	100	11	734-171	100
12	734-142	100	12	734-172	100
13	734-143	100	13	734-173	100
14	734-144	100	14	734-174	100
16	734-146	50	16	734-176	50
18	734-148	50	18	734-178	50
20	734-150	50	20	734-180	50
24	734-154	50	24	734-184	50

1 MCS MINI male headers with straight solder pins are also available with 3.8 mm pin projection upon request.
Item no. suffix: .../046-000