



## PRODUCT CHANGE NOTIFICATION

Date: November 06, 2015  
PCN: PCN LEDIL 112 a, b, c, d

---

**Subject:** **PCN 112.d – EOL notice**

**Description:** As part of our continuous improvement process regarding the quality of our products LEDiL is planning to obsolete some BRIDGET-family reflectors and replace them with BRIDGET-UNI counterparts due the possible clash with some COBs.

**Time line:** LEDiL offers last buy opportunity to customers until December 2nd 2015 after which only improved BRIDGET-UNI products are available

**Affected products:** C10918\_BRIDGET-S  
C10919\_BRIDGET-M  
C10920\_BRIDGET-W

**Changes:** Products will be replaced as follows.  
C10918\_BRIDGET-S → **C13557\_BRIDGET-S-UNI**  
C10919\_BRIDGET-M → **C13556\_BRIDGET-M-UNI**  
C10920\_BRIDGET-W → **C13555\_BRIDGET-W-UNI**

(CONTINUES ON PAGE 7)

**Contact information:** Tero Mäkinen  
LEDIL Oy  
Salorankatu 10  
24240 SALO, FINLAND  
tero.makinen@ledil.com



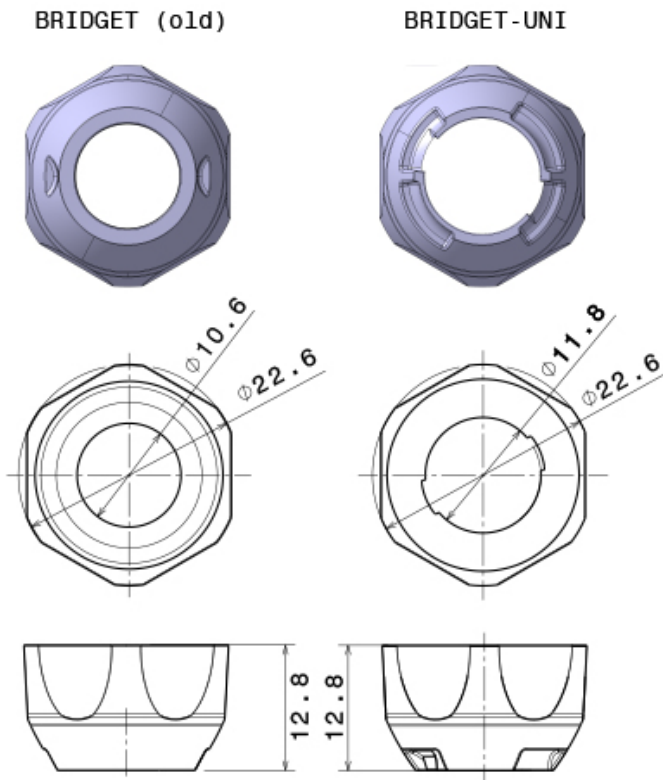
**PRODUCT CHANGE NOTIFICATION**

Date: November 06, 2015  
 PCN: PCN LEDIL 112 a, b, c, d

**Subject: PCN 112.d – EOL notice**

(CONTINUED FROM PAGE 6)

Mechanical and optical differences between the products:



	S	S-UNI	M	M-UNI	W	W-UNI
I <sub>max</sub> (cd/lm)	1.08	<b>1.09</b>	1.18	<b>0.99</b>	0.97	<b>0.91</b>
FWHM C0-C180 (°)	41.80	<b>43.20</b>	49.80	<b>53.40</b>	60.30	<b>60.90</b>
10% C0-C180 (°)	97.20	<b>95.00</b>	80.50	<b>86.50</b>	85.20	<b>86.40</b>
LOR (%)	85.10	<b>84.90</b>	83.30	<b>81.60</b>	87.60	<b>84.70</b>

Contact information: Tero Mäkinen  
 LEDIL Oy  
 Salorankatu 10  
 24240 SALO, FINLAND  
 tero.makinen@ledil.com