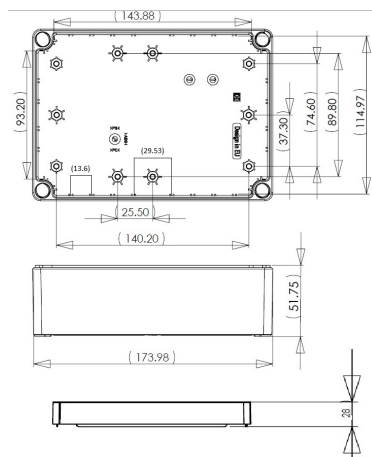
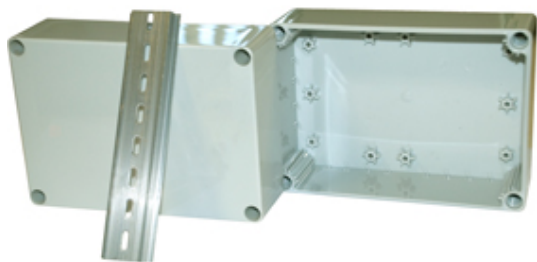


## DN14E

Grey RAL7035 IP66, IK08 general purpose ABS enclosure with internal mounting stand-offs. Supplied complete with 35mm DIN rail section for internal component mounting. The ABS lids are secured by captive plastic screws once inserted into the lid.



## SPECIFICATION

<b>Product Type</b>	General Purpose Enclosure/Junction Box
<b>Base Style</b>	General Purpose Enclosure/Junction Box
<b>Base Colour</b>	Grey
<b>Lid Colour</b>	Grey
<b>Enclosure Material</b>	ABS
<b>IP Rating</b>	66
<b>Colour</b>	Grey
<b>Min Temperature °C</b>	-10
<b>Max Temperature °C</b>	80
<b>Height (mm)</b>	125
<b>Width (mm)</b>	175
<b>Depth (mm)</b>	75

## DISTRIBUTORS

