

FPG7



Fingergrip

PCB · 5 x 20 mm

**Beschreibung**

- Surface Mount Device
- Directly solderable on printed circuit boards

Standards

- IEC 60127-6
- UL 512
- CSA C22.2 no. 39

Approvals

- VDE License Number: 129098
- UL File Number: E39328

Applications

- Primary Protection on SMD PCB


References

- [General Product Information](#)
- [Packaging Details](#)

Weblinks

- Approvals: <http://www.schurter.com/approvals>
- RoHS: <http://www.schurter.com/rohs>

Technical Data

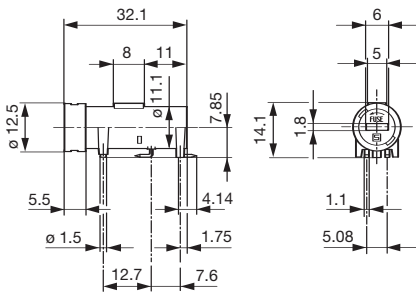
Shocksafe Category	PC2
Fuse-Link	5 x 20 mm
Mounting	PCB
Terminals	Solder SMT
Rated Voltage	250 VAC
Rated Current	10 A (VDE) , 16 A (UL/CSA)
Rated Power Acceptance	2.5 W / 10 A @ Ta 23 °C Admissible power acceptance at higher ambient temperature see derating curves
Degree of Protection	IP 40
Protection Class	Suitable for appliances with protection class I or II acc. to IEC 61140
Admissible Ambient Air Temp.	-40 °C to 85 °C
Climatic Category	40/085/21 acc. to IEC 60068-1
Material: Socket	Thermoplastic, Black, UL 94V-0
Material: Terminals	Tin-Plated Copper Alloy
Unit Weight (Socket/Cap)	4.4 g
Stock Conditions	0 °C to 60 °C, max. 70% r.h.
Product Marking	 , Type, Voltage Rating, Power Acc./Current Ratings, Approvals

Soldering Methods	Reflow
Solderability	245 °C / 3 sec acc. to IEC 60068-2-20, Test Td
Resistance to Soldering Heat	260 °C / 10 sec acc. to IEC 60068-2-20, Test Td
Contact Resistance	< 5 mΩ at 20 mV
Dielectric Strength	> 3 kV between L-N (50 Hz; 1 min)
Impulse Withstand Voltage	> 4 kV between L-N
Insulation Resistance	> 10 MΩ between L-N (500 VDC; 1 min)
Overvoltage Category	I - III acc. to IEC 60664-1
Pollution Degree	1 - 3 acc. to IEC 60664-1

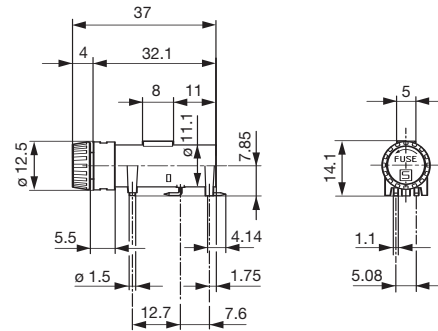
FPG7

Dimensions

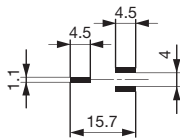
Length  32 mm



Variant 3101.0070

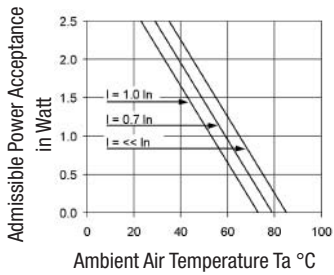


Variant 3101.0075



Solder pads

Derating Curves



Variants

Order Number	Holder	Cap	Degree of Protection
3101.0070	●	Slotted	IP 40
3101.0075	●	Fingerrip	IP 40

White and grey colours available on request

Packaging Unit

Bulk (100 pcs.)
 xxxx.xxxx.D2 Blister Tape 38 cm Reel (250 pcs.)